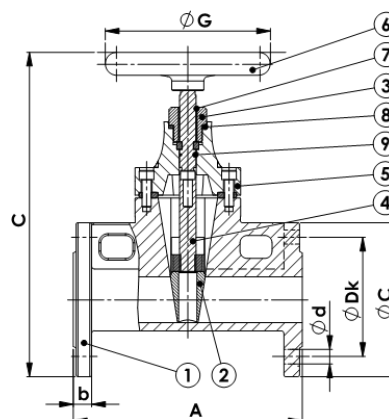


# ZAPORNI ZASUN, MEHKO TESNENJE, OVALNO OHIŠJE, F5, NEDVIGAJOČE SE VRETENO / GATE VALVE, RESILIENT SEATED, OVAL BODY, F5, NON RISING STEM

// Delovna temperatura / Working temperature: 0 °C / +70 °C



## Materiali / Materials

1	Ohišje Body	Nodularna litina – EN-GJS-500 (GGG50) Ductile Iron – EN-GJS-500 (GGG50)	6	Ročni pogon Handwheel	Nodularna litina – EN-GJS-500 (GGG50) Ductile Iron – EN-GJS-500 (GGG50)
2	Klin Wedge	Nodularna litina – EN-GJS-500 z EPDM prevleko Ductile Iron – EN-GJS-500 with EPDM coating	7	Tesnilo vretena Dust ring	EPDM
3	Matica vretena Stem nut	Medenina Brass	8	Tesnilo Sealing	NBR
4	Vreteno Stem	Nerjavno jeklo – 2Cr13 (A420) Stainless Steel – 2Cr13 (A420)	9	O-obroč O-ring	NBR
5	Pokrov Bonnet	Nodularna litina – EN-GJS-500 (GGG50) Ductile Iron – EN-GJS-500 (GGG50)			

## PN10

Art.	DN	A	ØC	ØDk	C	ØG	b	n-Ød	Teža / Weight [kg]
A030783	40	240	150	110	310	180	19	4-19	11,0
A030325	50	250	165	125	315	180	19	4-19	13,0
A030326	65	270	185	145	355	180	19	4-19	15,0
A030327	80	280	200	160	390	200	19	8-19	19,0
A040229	80*	280	200	160	390	200	19	4-19	19,0
A030328	100	300	220	180	430	250	19	8-19	24,0
A030329	125	325	250	210	490	280	19	8-19	34,0
A030333	150	350	285	240	545	280	19	8-23	42,0
A041038	200	400	340	295	665	340	20	8-23	65,0
A043877	250	450	405	355	775	340	22	12-23	90,0
A045454	300	500	460	400	895	400	24,5	12-23	130,0

## PN16

Art.	DN	A	ØC	ØDk	C	ØG	b	n-Ød	Teža / Weight [kg]
A030783	40	240	150	110	310	180	19	4-19	11,0
A030325	50	250	165	125	315	180	19	4-19	13,0
A030326	65	270	185	145	355	180	19	4-19	15,0
A030327	80	280	200	160	390	200	19	8-19	19,0
A040229	80*	280	200	160	390	200	19	4-19	19,0
A030328	100	300	220	180	430	250	19	8-19	24,0
A030329	125	325	250	210	490	280	19	8-19	34,0
A030333	150	350	285	240	545	280	19	8-23	42,0
A030330	200	400	340	295	665	340	20	12-23	65,0
A030331	250	450	405	355	775	340	22	12-23	90,0
A030332	300	500	460	410	895	400	24,5	12-23	130,0

### Opombe

Vgradna dolžina ustreza standardu EN558-1 serija 15 (DIN3202 F5).  
Dimenzija prirobnice in vrtanje ustreza standardu EN 1092-2.  
Številke artiklov od DN40–DN150 so enake za PN10 in PN16 in so vedno navedene kot PN16. \*Na voljo tudi s prirobnico na 4 luknje.

### Notes

Face to face dimensions according to EN558-1 Series 15 (DIN3202 F5).  
Flange dimensions and drilling according to EN 1092-2.  
Article numbers for DN40–DN150 are the same for PN10 and PN16 and are always declared as PN16. \*Special: available with 4 holes on flanges.