

E3 Valve System 2000



E3 valve socket-socket for PE and PVC pipes,
DN 50 – 350, PN 10 | PN 16

Design features

- Resilient seated gate valve with smooth straight-through bore
- With sockets for PE and PVC pipes
- One extension spindle for several dimensions
- Suitable for operation by automatic actuators
- Easy retrofitting of position indicator and automatic actuator on the standard bonnet

No. 4040E3

Standard version: without handwheel and extension spindle

Special versions: on request



Suitable accessories

Suitable accessories: see page F 1/2

Handwheel:		No. 7800
Extension spindle:	rigid	No. 9000E2/E3
	telescopic	No. 9500E2/E3
Surfaces boxes:	rigid	No. 1750
	telescopic	No. 2050, No. 2051K
Actuator:		No. 9920
Adapter for actuator (E2/E3 adapter):		No. 8630E2/E3
Base plate:		No. 3481, No. 3482
Sealing cap:		No. 2156, No. 2157
Spindle extension:		No. 7820, No. 7825
Position indicator:		No. 2170E2/E3
HAWAK pillar:		No. 9894, No. 9895

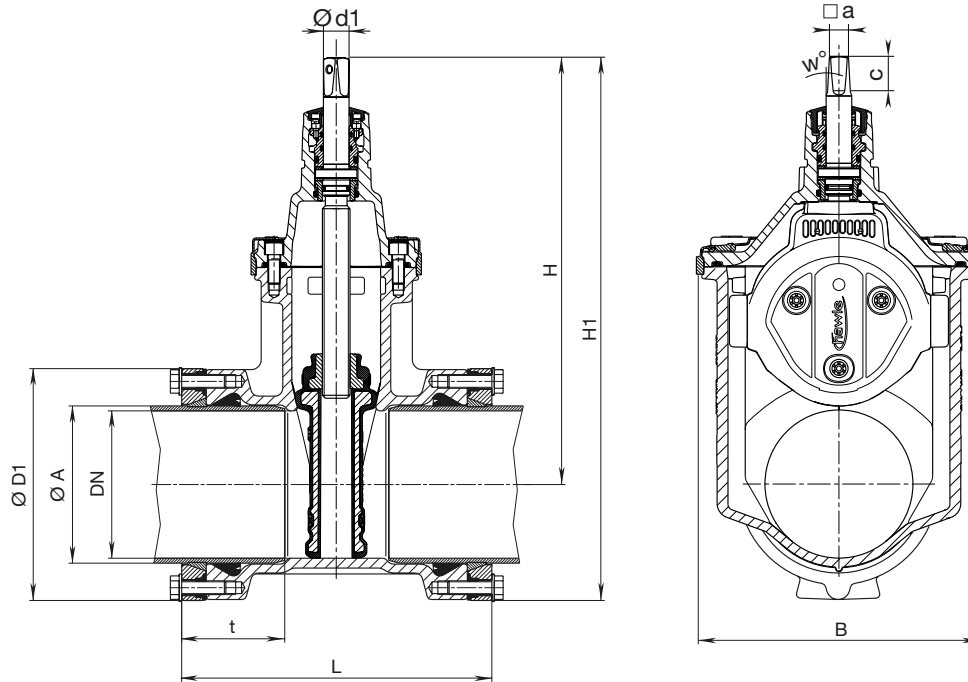
Order No.	MOP (PN)	Dimensions/DN Ø pipe A																	
		50	65	80	100	100	125	125	150	150	200	200	200	250	250	300	300	350	
4040E3	16	63	75	90	110	125	125	140	160	180	200	225	250	250	280	315	355	400	

*in preparation

E3 Valve System 2000

E3 valve socket-socket for PE and PVC pipes,
DN 50 – 350, PN 10 | PN 16

No. 4040E3



DN	Ø pipe A	Valve						Spindle				Weight
		Ø D1	t	H	H1	L	B	□ a	c	w°	Ø d1	
50	63	124	83	234	296	226	143	14,8	29,2	3°	20,5	9,0
65	75	138	85	305	374	240	180	17,3	33,8		24	14,0
80	90	152	88	313	389	242	180	17,3	33,8		24	16,0
100	110	174	88	343	430	252	213	19,3	37,2		24	20,0
	125	195	88	343	440	260	213	19,3	37,2		24	21,5
125	125	195	90	421	518	280	285	19,3	34,9		26	31,5
	140	212	96	421	527	278	285	19,3	34,9		26	32,5
150	160	236	108	433	551	316	285	19,3	34,9		26	37,5
	180	258	118	433	562	342	285	19,3	34,9		26	44,0
200	200	284	128	541	683	366	357	24,3	48		30	65,0
	225	314	130	541	698	366	357	24,3	48		30	67,5
	250	347	147	541	716	469	357	24,3	48		30	81,5
250	250	347	147	649	844	400	432	27,3	48		34	108,5
	280	376	150	649	858	420	432	27,3	48		34	116,0
300	315	422	176	731	964	472	518	27,3	48	34	172,0	
	355	470	237	731	988	687	518	27,3	48	34	198,0	
350*	400	516	253	816	1075	744	603	27,3	48	34	250,0	

*in preparation