

WEDGE GATE VALVE TYPE KFS, TYPE KOS



Wedge gate valve KFS with handwheel.

TECHNICAL DATA

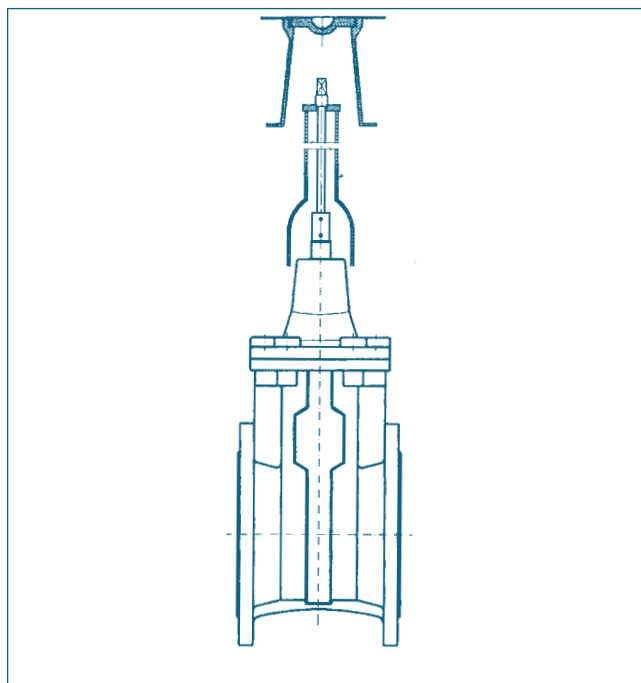
Nominal diameter:	DN 40 – DN 300
Face-to-face KFS:	EN 558-1 GR 14
KOS:	EN 558-1 GR 15
Flange accommodation:	DIN EN 1092-2 PN 10/16
Marking:	DIN EN 19
Tightness check:	EN 12266, (Leakage Rate 1)
Temperature range:	up to + 70 °C
Body+ cap:	EN-GJS-400-15
Wedge:	EN-GJS-400-15, EPDM-rubber coated
Spindle:	1.4021, non rising
Spindle nut:	Brass
Operating pressure:	10/16 bar
Corrosion protection:	Epoxy coating 240 µm, RAL 5015, sky blue Option inside enmal, cobalt blue

FEATURES

- Resilient seated knife gate valve acc. DIN EN 1171
- Single flange mounting is possible, tight sealing with flow in either direction
- Free passage
- Maintenance-free spindle sealing
- Option: with bare shaft and square, handwheel or electric actuator

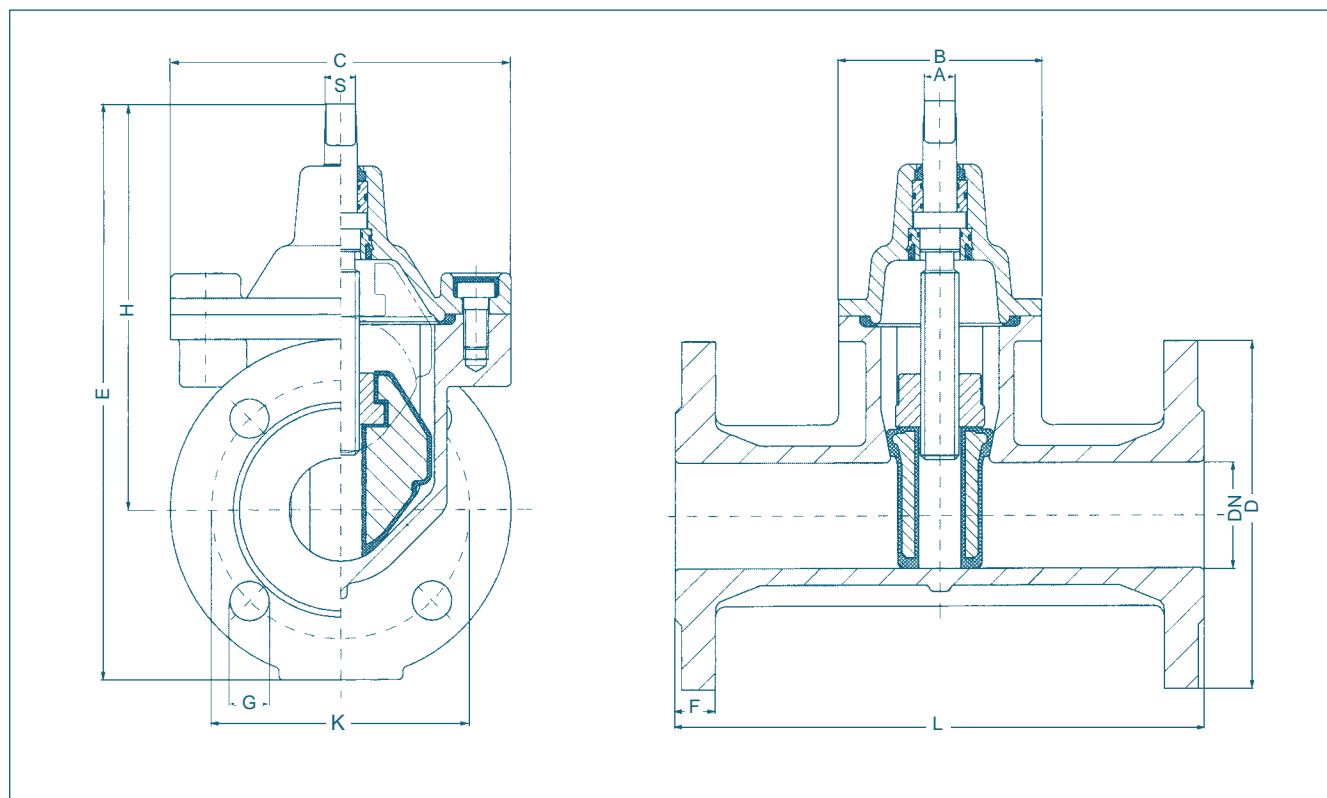
GENERAL APPLICATIONS:

- Potable water
- Water
- Sewage
- Option: Waste water, gas



Wedge gate valve with subsurface installation kit.

WEDGE GATE VALVE TYPE KFS, TYPE KOS



DN [mm]	Size [in]	PN	Face-to-face L		Dimensions [mm]											Weight [kg]	
			F4	F5	A	B	C	D	E	F	G	No. off drillings	H	K	S	KFS	KOS
40	1½	10/16	140	240	16	96	165	150	274	19	19	4	196	110	14	9,5	10,5
50	2	10/16	150	250	20	90	165	165	313	19,5	19	4	230	125	14	9,0	10,0
65	2½	10/16	170	270	20	123	166	185	333	19	19	4	240	145	17	14,5	16,0
80	3	10/16	180	280	25	139	166	200	390	19,5	19	8	290	160	17	19,0	20,5
100	4	10/16	190	300	25	151	186	220	430	19	19	8	320	180	19	24,0	27,0
125	5	10/16	200	325	25	160	225	250	495	19,5	19	8	370	210	19	30,0	33,5
150	6	10/16	210	350	25	180	275	285	553	19	23	8	410	240	19	43,0	47,0
200	8	10	230	400	32	195	330	340	680	20,5	23	8	510	295	24	63,0	79,0
200	8	16	230	400	32	195	330	340	680	20	23	12	510	295	27	79,0	78,0
250	10	10	250	450	32	236	414	400	870	22,5	23	12	670	350	27	99,5	114,0
250	10	16	250	450	32	236	414	400	870	22	28	12	670	355	27	98,5	113,0
300	12	10	270	500	32	260	480	455	925	24,5	23	12	695	400	27	135,5	155,5
300	12	16	270	500	32	260	480	455	925	24,5	28	12	695	410	27	134,5	154,5

Subject to change without notice.