



CMO VALVES

manufacturing the valve you need

21A SERIES



FABRICATION RANGE *WAFER BUTTERFLY VALVE*

UTILIZATION:

- Wafer butterfly valve used for supplying, pumping, irrigation, drinking water supply, treatment and pumping of dirty waters, etc.
- It has low head loss, and it is 100% watertight.

SERIE - 21

VÁLVULAS DE MARIPOSA WAFER

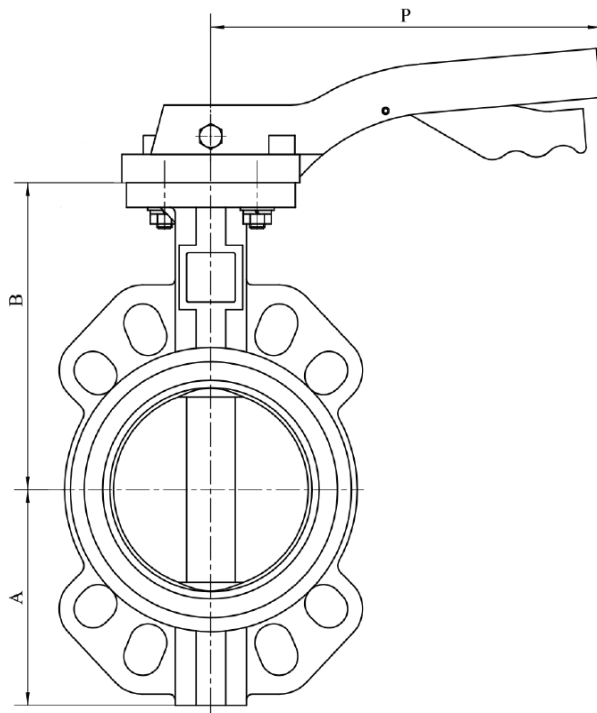


GENERAL FEATURES:

- Low head loss.
- 100% watertight.
- Bidirectional flow.
- No gaskets needed for installation.
- Stainless steel bolts.
- Max. working pressure 16 bar.
- Working temperature between -10°C and 120°C.

STANDARDS APPLIED:

- Hydrostatic tests according to EN 12266-1, class A.
- EC Directive.
- Distance between flanges according to EN 558 series 20.
- Top flange (optional) according to ISO 5211.



DIMENSIONS

DN	A	B	P	Face to Face dist.	Weight
40	70	124	198	33	1.9
50	76	129	198	43	2.5
65	89	136	198	46	2.9
80	95	144	198	46	3.9
100	114	162	270	52	5.2
125	127	188	270	56	7.0
150	139	204	270	56	8.4
200	177	238	270	60	12.0
250	203	282	540	68	22.0
300	242	311	540	78	29.0

The images and drawings are non contractual.
The specifications of the shown products could vary without previous notice.

TOP CONNECTION

DN	40	50	65	80	100	125	150	200	250	300	350	400	450	500	600
FLANGE	F05	F05	F05	F05	F07	F07	F07	F07	F10	F10	F10	F16	F16	F16	F16
SHAFT	9x9	9x9	9x9	9x9	11x11	14x14	14x14	17x17	22x22	22x22	22x22	27x27	27x27	27x27	36x36

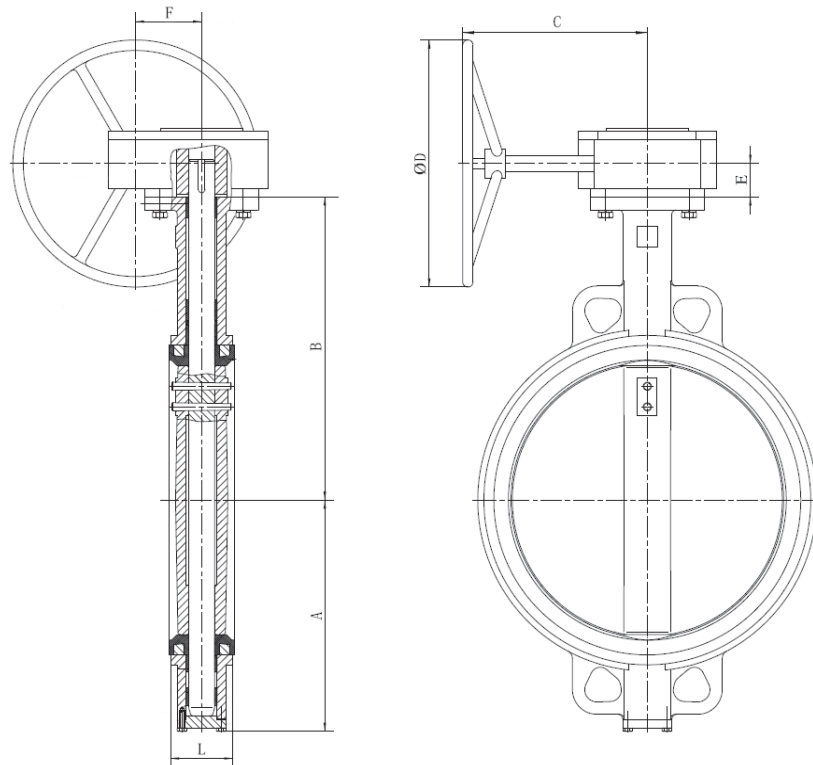


CMO VALVES
manufacturing the valve you need

Amategui Aldea, 142 - 20400 Tolosa - Guipuzcoa (Spain)
(+34) 943 67 33 99 - cmo@cmovalves.com - www.cmovalves.com

SERIE - 21

VÁLVULAS DE MARIPOSA WAFER



DIMENSIONS

DN	A	B	C	D	E	F	L	Weight	DN	A	B	C	D	E	F	L	Weight
40	79	145	154	144	37	45	33	4,5	350	277	368	200	283	41	78	78	46,0
50	85	162					43	5,0	400	308	400	285	385	68	117	102	75,0
65	98	174					46	5,5	450	342	422	285	385	68	117	114	89,0
80	104	181	156	144	37	45	46	6,0	500	374	479	250	283	110	180	127	128,0
100	123	200					52	7,4	600	459	562	293	385	127	215	154	206,0
125	136	213					56	9,4	700	520	624	355	423	161	251	165	332,0
150	148	225	211	283	40	64	56	10,7	800	575	672	355	423	161	251	190	436,0
200	186	260					60	19,8	900	635	768	375	423	161	165	203	616,0
250	212	292					68	28,7	1000	685	823	375	423	161	165	216	700,8
300	251	337	200	283	41	78	78	37,4	1200	839	940	530	423	238	330	254	960,0

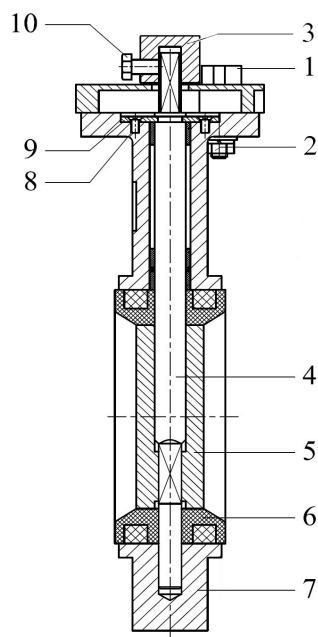


CMO VALVES
manufacturing the valve you need

Amategui Aldea, 142 - 20400 Tolosa - Guipuzcoa (Spain)
(+34) 943 67 33 99 - cmo@cmovalves.com - www.cmovalves.com

SERIE - 21

VÁLVULAS DE MARIPOSA WAFER



DESCRIPTION

1	BOLTS	A2
2	NUTS	A2
3	LEVER	ALUMINUM / GJS400
4	SHAFT	AISI 420
5	DISC	GJS400 / CF8M / AL- BRONZE / DUPLEX
6	SEAT	EPDM
7	BODY	GJS400
8	O-RINGS	EPDM
9	HOLDING PLATE	STEEL 8.8
10	BOLT	A2
	PAINTING RAL 5015	Epoxy 250 µm



CMO VALVES
manufacturing the valve you need

Amategui Aldea, 142 - 20400 Tolosa - Guipuzcoa (Spain)
(+34) 943 67 33 99 - [cموالues.com](mailto:cmo@cموالues.com) - www.cموالues.com