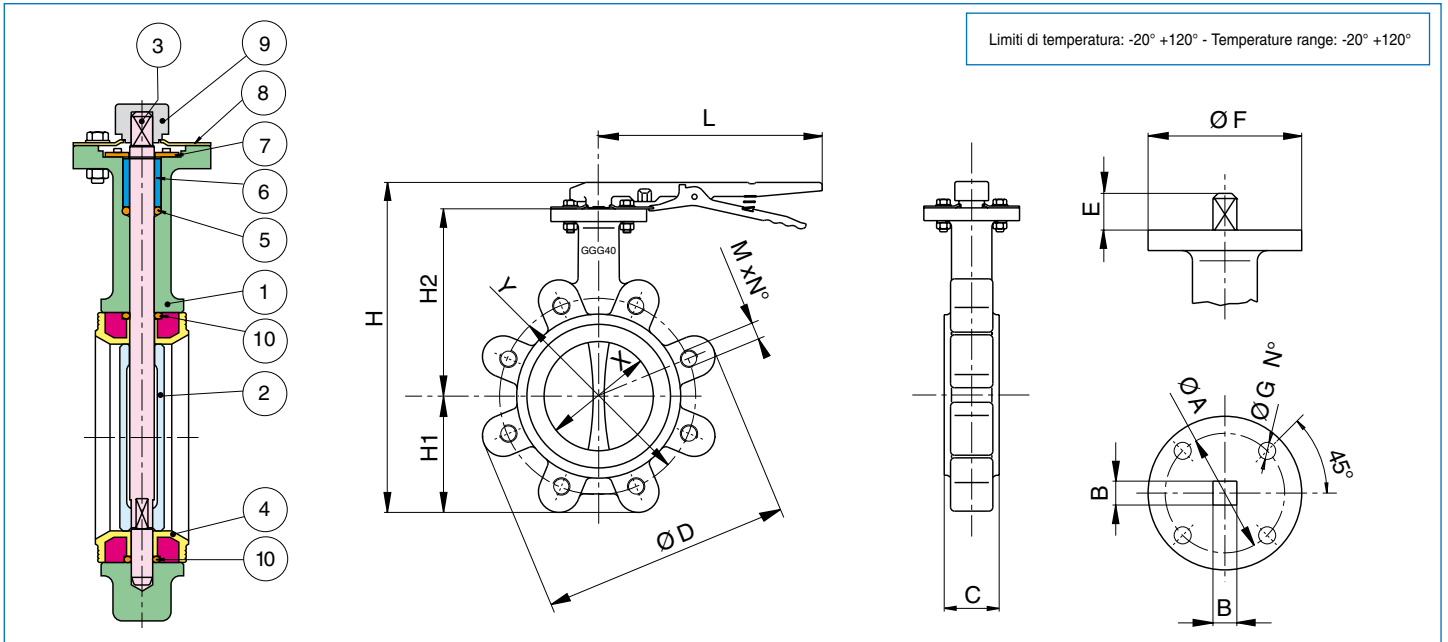


serie **EUROFLY**

Art. **600204 – 600205**  
DISC GGG40 DISC INOX



- Valvola a farfalla tipo LUG PN 16, corpo in ghisa GGG40+vernice epossidica, guarnizione in EPDM.
- Butterfly valve LUG type PN 16, body in cast iron GGG40+Epoxy painting, EPDM seat.
- Vanne à papillon type LUG PN 16, corpe en fonte GGG40+Epoxy, joint en EPDM.
- LUG Absperrklappe PN 16, Gehäuse aus Grauguss GGG40 mit Epoxy Beschichtung, EPDM Dichtung.
- Válvula de mariposa tipo LUG PN 16, con cuerpo en hierro fundido GGG40+Epoxy, asiento EPDM.



Limiti di temperatura: -20° +120° - Temperature range: -20° +120°

IN CORSO DI MODIFICA - UNDER MODIFICATION

Art.600204 Art. 600218\* Art. 600205 Art. 600220\*

POS.	DENOMINAZIONE	PART NAME	DESCRIPTION	TEILBENENNUNG	DENOMINACION	MATERIALE - MATERIALS - MATERIAUX - WERKSTOFF- MATERIAL	N°P	
1	CORPO	BODY	CORPS	GEHÄUSE	CUERPO	EN-GJL 400	EN-GJL 400	1
2	DISCO	DISC	PAPILLON	KLAPPE	MARIPOSA	EN-GJS 400 + RILSAN	A351-CF8M	1
3	ASTA	STEM	AXE	WELLE	EJE	AISI 420	AISI 420	1
4	GUARNIZIONE	SEAT	MANCHETTE	MANSCHETTE	ASIENTO	EPDM	NBR* EPDM	NBR* 1
5	O-RING	O-RING	O-RING	O-RING	O-RING	EPDM	NBR* EPDM	NBR* 1
6	BOCCOLA	BUSHING	BAGUE	BUCHSE	BOCOLA	POLYAMIDE	POLYAMIDE	1
7	ANELLO ELASTICO	CIRCLIP	ANNEAU RESSORT	ELASTICHER RING	SEEGER	SPRING STEEL	SPRING STEEL	1
8	PIASTRA DI ARRESTO	RETAINER	PLAQUE D'ARRET	ANSCHLAGPLATTE	ANILLO DE SEGURIDAD	ZINCHED STEEL	ZINCHED STEEL	1
9	LEVA	LEVER	LEVIER	HEBEL	PALANCA	EN-GJL 250	EN-GJL 250	1
10	O-RING	O-RING	O-RING	O-RING	O-RING	EPDM	NBR* EPDM	NBR* 2

MISURA / DN SIZE / DN	ØD	H	H1	H2	L	Y	X	C	∅B	∅A	E	∅F	∅G	N°	M X N°	Kv	PN	Kg
40	150	231	58	141	194	110	34	32	11	50/70	22	90	7/10	4	4 X M16	-	16	4,00
50	165	234	63	141	260	125	52	43	11	50/70	22	90	7/10	4	4 X M16	-	16	4,60
65	185	257	72	153	260	145	63	46	11	50/70	22	90	7/10	4	4 X M16	-	16	5,20
80	200	283	94	158	260	160	77	46	11	50/70	22	90	7/10	4	8 X M16	-	16	6,70
100	228	315	108	176	260	180	103	52	14	70	22	90	10	4	8 X M16	-	16	8,30
125	253	341	120	191	260	210	128	56	14	70	22	90	10	4	8 X M16	-	16	9,20
150	285	369	136	203	260	240	154	56	14	70	22	90	10	4	8 X M20	-	16	11,30
200	342	450	165	244	350	295	204	60	17	102	34,5	150	12	4	12 X M20	-	16	19,50
250	406	518	202	273	350	350	254	68	22	102	34,5	150	12	4	12 X M24	-	16	30,00
300	483	588	235	311	350	400	303	78	27	125	34,5	150	12	4	12 X M24	-	16	44,00
350	-	-	-	-	-	-	-	-	-	-	-	-	-	-	-	-	10	-
400	-	-	-	-	-	-	-	-	-	-	-	-	-	-	-	-	10	-
450	-	-	-	-	-	-	-	-	-	-	-	-	-	-	-	-	10	-
500	-	-	-	-	-	-	-	-	-	-	-	-	-	-	-	-	10	-
600	-	-	-	-	-	-	-	-	-	-	-	-	-	-	-	-	10	-



VALPRES

