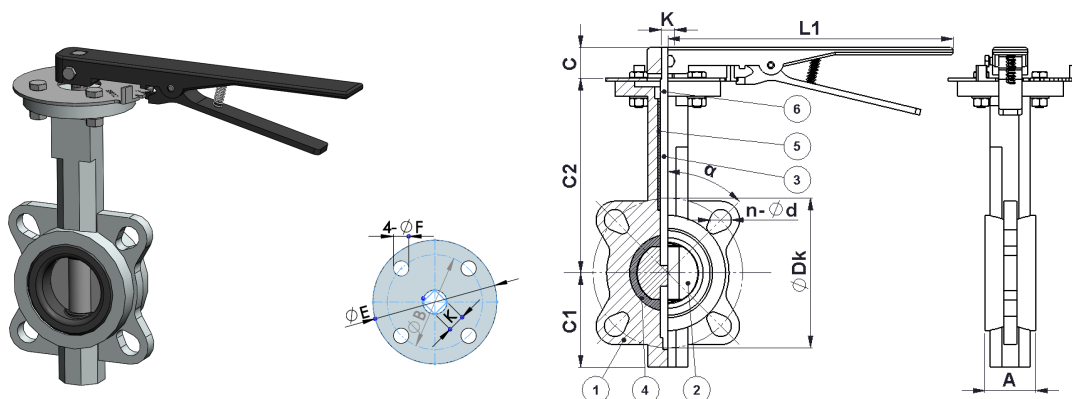


ZAPORNA LOPUTA Z ROČICO, MEDPRIROBNIČNA, TIP: LZL CI/DI / WAFFER BUTTERFLY VALVE, TYPE: LZL CI/DI

// Delovna temperatura / Working temperature: 0 °C /+120 °C



Materiali / Materials

1	Ohišje Body	Siva litina – EN-GJL-250 (GG25) – Epoksi barvan - RAL5008 Cast Iron – EN-GJL-250 (GG25) - Epoxy Powder Coated - RAL 5008	4	Tesnilo Sealing	EPDM
2	Disk Disc	Nodularna litina – EN-GJS-500-7 (GGG50) – nikljano Ductile Iron – EN GJS-500-7 (GGG50) – nickel plated	5	Puša Bushing	PTFE
3	Vreteno Stem	Nerjavno jeklo – X12CrS13 (A416) Stainless Steel – X12CrS13 (A416)	6	O-obroč O-ring	EPDM

LZL CI/DI

PN16

Art.	DN	A	ØDk	C1	C2	C	n-Ød	L1	E	B	F	α	ISO zgornja prirobnica / Top flange	Nastavek / Shaft K	Teža / Weight [kg]
A093844	40	33	110	70	105	28	4-Ø19	260	65	50	8	45	F05	K11	2,0
A093845	50	43	125	81	163	28	4-Ø19	260	65	50	8	45	F05	K11	2,8
A093846	65	46	145	89	173	28	4-Ø19	260	65	50	8	45	F05	K11	3,3
A093847	80	46	160	98	172	28	8-Ø19	260	65	50	8	45/22,5	F05	K11	3,5
A093848	100	52	190	114	200	28	8-Ø19	260	90	70	10	45/22,5	F07	K11	5,1
A093849	125	56	216	127	213	28	4-Ø23	260	90	70	10	22,5	F07	K14	6,5
A093850	150	56	240	140	226	28	4-Ø23	260	90	70	10	22,5	F07	K14	7,8
A093851	200	60	295	176	260	36	8-Ø26	360	125	102	12	22,5/15	F10	K17	13,5

Opombe

Lopute so primerne za vgradnjo med prirobnice PN10 in PN16.
Vgradna dolžina po EN 558 -1 serija 20.

Notes

Suitable for installation between flanges drilled according to PN10 and PN16.
Face-to-Face dimensions conform to EN 558-1 series 20.