
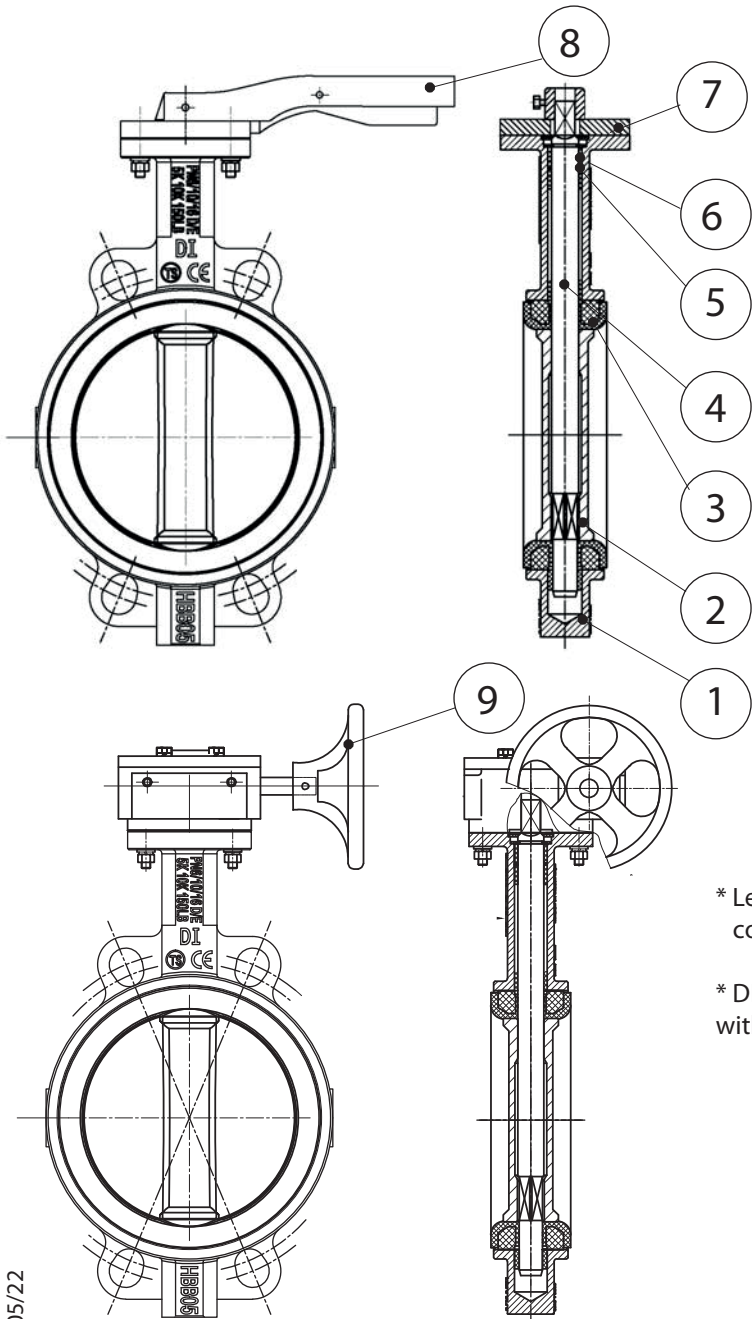
 Valvola a farfalla in ghisa tipo WAFER - Attacchi flangiati PN16

 Cast iron butterfly valve WAFER type - Flanged ends PN16


 Absperrklappe aus Gusseisen Typ WAFER - Flanschanschluss PN16

 Vanne papillon en fonte type WAFER - Fixations à bride PN16

 Дисковый затвор Баттерфляй из чугуна - тип WAFER
- Фланцевое соединение PN 16



Size 
DN40 - DN300 16 bar

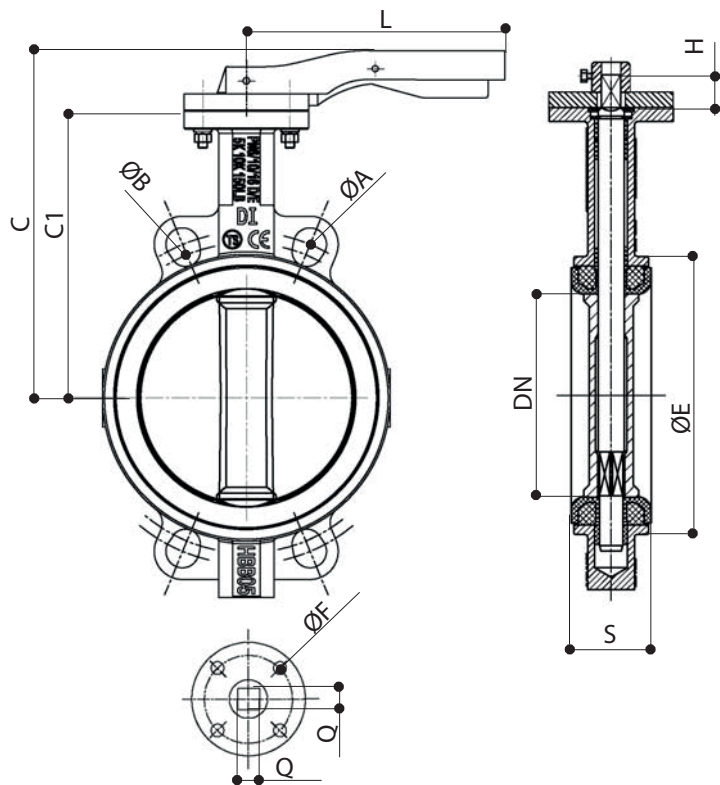
Max 
+120° C
Min
-20° C

Estremità flangiate
Flanged ends
-UNI-EN 1092 PN10/16
-ASME 150LB
-JIS 10K

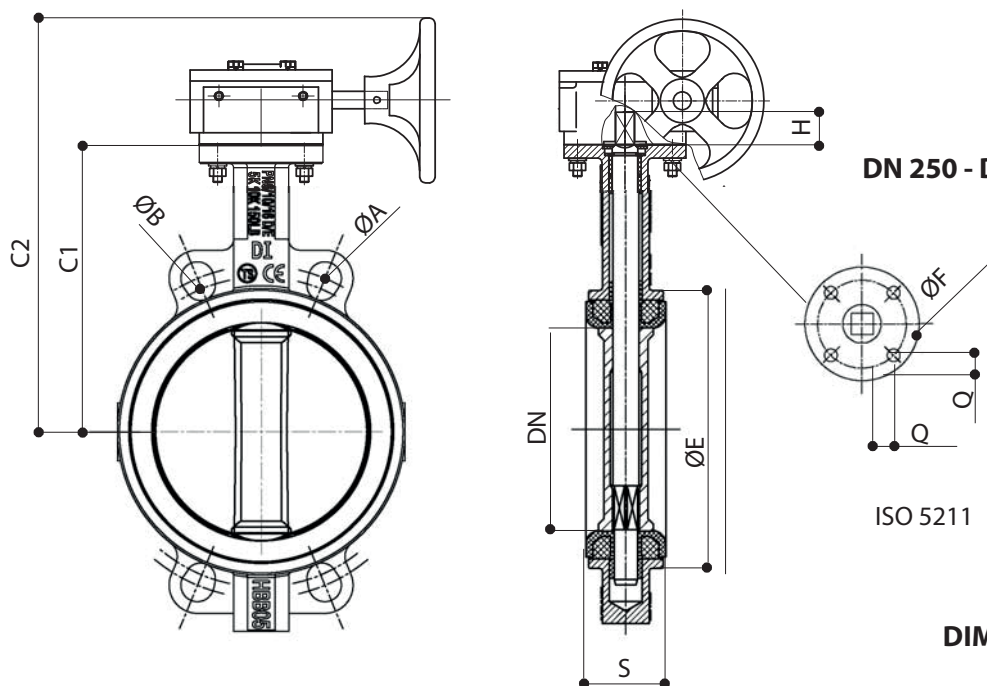
N	DENOMINAZIONE PART NAME	MATERIALE MATERIAL	TRATTAMENTO TREATMENT
1	Corpo - Body	Ghisa GJS400 Cast iron GJS400	Verniciato Painted
2	Disco - Disc	Ghisa GJS400 Cast iron GJS400	Nichelato Nikel plated
3	Guarnizione - Seat	EPDM	
4	Asta - Stem	AISI 416	
5	O-ring - O-ring	EPDM	
6	Boccola - Bushing	Polimero Polymer	
7	Divisore - Retainer	Alluminio Aluminium	Verniciato Painted
8	Leva - Lever	Alluminio Aluminium	Verniciato Painted
9*	Riduttore - Wrom gear	Alluminio Aluminium	Verniciato Painted

* Le misure DN250 e DN 300 fornite con riduttore di manovra manuale

* DN250 and DN 300 sizes supplied with manual gearbox



DN 40 - DN 200



DN 250 - DN 300

ISO 5211

DIMENSIONI - DIMENSIONS (mm)

DN	C	C1	C2	L	H	ØF	Q	ØA	ØB	ØE	F.ISO	S
40	190	129	*	195	34	50	9	110	105	87	F05	33
50	190	129	*	195	34	50	9	125	105	87	F05	43
65	197	136	*	195	34	50	9	145	127	101	F05	46
80	223	153	*	195	34	50	9	160	145	116	F05	46
100	252	167	*	275	38	70	11	190	165	148	F07	52
125	263	193	*	275	38	70	14	216	200	172	F07	56
150	277	209	*	275	38	70	14	241	225	202	F07	56
200	341	251	*	325	46	102	17	298	280	254	F10	60
250	*	283	328	*	46	102	22	362	355	309	F10	68
300	*	315	360	*	46	102	22	432	390	362	F10	78