

# BUTTERFLY VALVE - LUG TYPE

## FAF 3600

3600



### Features

- Equipped with various disc materials and can be used in various flow types and different applications with the EPDM, NBR and VITON seat options.
- Compared to other valve types, with its compact dimensions offers the advantages of lightweight, easy installation and cost effectiveness.
- Head loss is at minimum level through the double shaft design of FAF Valve.
- The inner and outer surfaces of valve body are coated with electrostatic fusion bonded epoxy (FBE) / oven baked powder epoxy coating. Smooth operation and longer life is maintained in tough conditions.
- Up to DN 300 (inclusive) sizes are supplied with hand lever as default DN 350 (inclusive) and above are supplied with gear box as default.
- Electrical or pneumatic actuators directly fit on valve top flange. (ISO 5211)
- No need for any additional intermediary parts.
- In addition to its use as an on-off valve, can also be used for the purpose of proportional flow control.
- Can be installed in any desired position.
- Maintenance-free.
- The valve body and disc are accurately machined which results in low operating torque and long service life and reliability.

### Temperature

- +130 °C (EPDM)
- +100 °C (NBR)
- +220 °C (VITON)

### PRODUCTION STANDARDS

DN40 → DN400  
PN 16

Design	EN 593
Connection	Lug Type EN 1092-2 / ISO 7005-2
Face to Face	EN 558 Series 20 / ISO 5752 Series 20
Marking	EN 19
Tests	EN 12266-1
Corrosion Protection	Electrostatic Powder Epoxy

### Product Description

FAF3600 Lug Type Butterfly Valve is a quarter-turn rotational motion valve, which is used to stop, regulate and start flow. 90° rotation of the handle provides a complete closure or opening of the valve.

### Versions

- Standard version with hand wheel
- With gearbox + FAF3700
- With pneumatic actuator + FAF3750
- With electrical quarter turn actuator + FAF3770
- With electrical multi turn actuator + FAF3780
- Custom production for specific orders

### Accessories

- T-key + FAF7250
- Extension spindle, ST steel + FAF3790
- Surface box, cast iron + FAF3790K
- Flange adaptors + FAF3960
- Position indicator

### Scope of Application

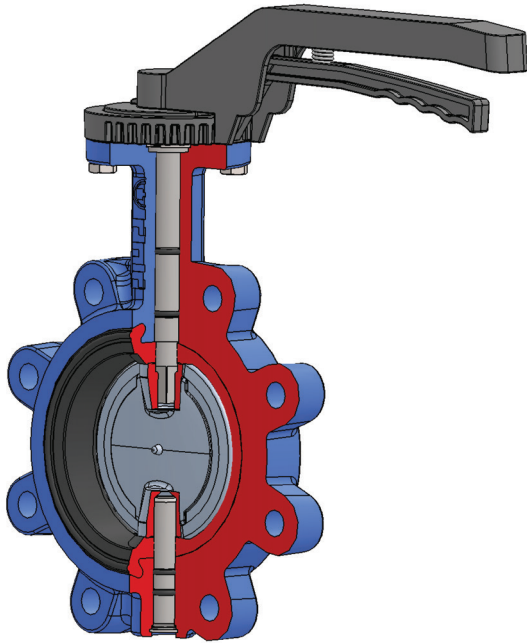
- Chamber installation
- Installation in plants
- Pipelines
- Water treatment plants
- Pumping stations
- Tanks
- Seawater applications
- Power plants (cooling water pipelines)
- Industry

# BUTTERFLY VALVE - LUG TYPE

## FAF 3600



3600



### MATERIAL SELECTION

<b>Body</b>	EN-GJL-250 Cast Iron / GG25
	EN-GJS-400 Ductile Iron / GGG40
<b>Disc</b>	1.4301 - AISI 304 Stainless Steel
	1.4401 - AISI 316 Stainless Steel
	EN-GJS - 400 Ductile Iron / GGG40 Nickel Coated
	Aluminium Bronze PTFE
<b>Stem</b>	1.4021 - AISI 420 Stainless Steel
	1.4301 - AISI 304 Stainless Steel (Optional)
	1.4401 - AISI 316 Stainless Steel (Optional)
<b>Sealing</b>	EPDM ( NBR, VITON, NEOPREN, PTFE - optional)
<b>Gearbox</b>	EN GJL 250 (DN 350 and above)

### PRODUCTS MODEL CODES

FAF 3600	SS 304 DISC - EPDM SEALING
FAF 3601	SS 304 DISC - NBR SEALING
FAF 3602	SS 304 DISC - VITON SEALING
FAF 3603	SS 304 DISC - NEOPREN SEALING
FAF 3650	NICKEL DISC - EPDM SEALING
FAF 3651	NICKEL DISC - NBR SEALING
FAF 3652	NICKEL DISC - VITON SEALING
FAF 3653	NICKEL DISC - NEOPREN SEALING
FAF 3660	SS 316 DISC - EPDM SEALING
FAF 3661	SS 316 DISC - NBR SEALING
FAF 3662	SS 316 DISC - VITON SEALING
FAF 3663	SS 316 DISC - NEOPREN SEALING
FAF 3670	ALU. BRONZR DISC - EPDM SEALING
FAF 3671	ALU. BRONZR DISC - NBR SEALING
FAF 3672	ALU. BRONZR DISC - VITON SEALING
FAF 3673	ALU. BRONZR DISC - NEOPREN SEALING

### VALVE TEST PRESSURE (Bar)

MAX. OPERATING PRESSURE	BODY / SHELL TEST	SEAT TEST
16	24	17,6

100% of the valves are subjected to hydrostatic tests at FAF facilities.

### Note

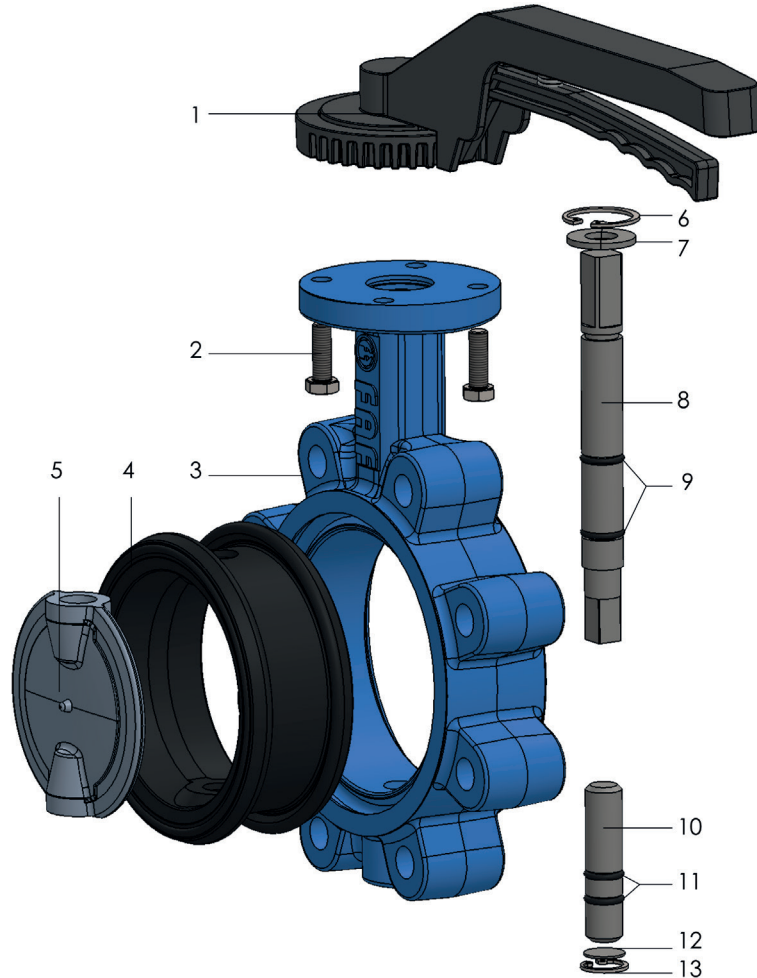
- For proper use and safety precautions please follow the installation and operating instructions.



# BUTTERFLY VALVE - LUG TYPE

## FAF 3600

### Material List

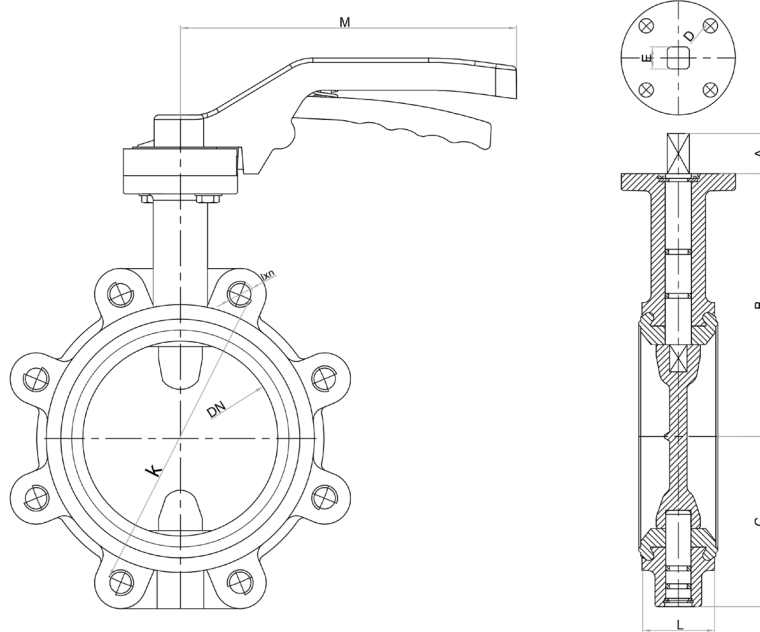


NO	ITEM	MATERIALS
1	HANDLEVER	ALUMINUM
2	BOLTS	DIN 933
3	BODY	EN GJL 250 GG 25 EN GJS 400 GGG 40 (Optional)
4	GASKET	EPDM / NBR / VITON / NEOPREN
5	DISC	AISI 304, AISI 316 EN GJS 400 NICKEL COATED
6	RETAINING RING	DIN 472
7	WASHER	STEEL 1.0254
8	DRIVE SHAFT	STAINLESS STEEL 1.4021
9	O RING	NBR, EPDM
10	CENTERING SHAFT	STAINLESS STEEL 1.4021
11	O RING	NBR, EPDM
12	WASHER	STAINLESS STEEL 1.4016
13	RETAINING RING	DIN 472

# BUTTERFLY VALVE - LUG TYPE

## FAF 3600

### Technical Details & Drawing, Dimensions

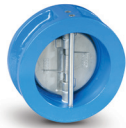


DN (mm)	A	B	C	D	k	Ølxn	E	K	L	WEIGHT (kg)
40	30	122	56	50	110	M16x4	11x11	190	33	2,9
50	30	127,5	61	50	125	M16x4	11x11	190	43	3,6
65	30	134	70	50	145	M16x4	11x11	190	46	4,1
80	30	157	92	50	160	M16x8	11x11	190	46	5,1
100	30	167	101	70	180	M16x8	14x14	255	52	7,4
125	30	180	116	70	210	M16x8	14x14	255	56	9,3
150	30	203	131	70	240	M20x8	17x17	255	56	11,1
200	30	228	164	102	295	M20x12	17x17	355	60	18,8
250	30	266	197	102	355	M24x12	22x22	355	68	29,1
300	30	291	223	102	410	M24x12	22x22	355	78	41,5
350	45	370	282	125	470	M24x16	22x22	-	78	80
400	45	400	310	140	525	M27x16	27x27	-	102	120

### Associated Products for the Butterfly Valve Range



2300  
CHECK VALVE  
WAFER SWING



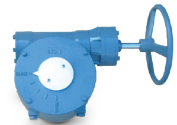
2350  
CHECK VALVE  
DUAL



2370  
CHECK VALVE DISC



2500  
Y-TYPE STRAINER



3700  
GEARBOX



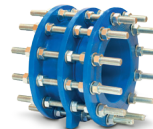
3770  
ELECTRIC ACTUATOR



3960  
FLANGE ADAPTOR



3970  
COUPLING



3900  
DISMANTLING JOINT



5000  
RUBBER  
EXPANSION JOINT

