



## OD

### Pulser for cold and hot water meters Dynamic

#### Main Features

- Simple installation
- Pulsers can be fitted without breaking the meter seal
- OD with forward/reverse identification
- Two different pulse values

#### APPLICATIONS

OD 01 and OD 03	for cold water meters up to 50 °C
OD 02 and OD 04	for hot water meters up to 130 °C
OD 01 and OD 02	for flow indication and flow control
OD 03 and OD 04	for remote counters and batching systems:
OD 02/EX	for explosion hazardous areas
OD 07-L	for data logging
OD 07-24V/S	for direct connection to SPC or remote control systems
OD AM	for connection of heat meterst

## OD



# OD

## Pulser for cold and hot water meters Dynamic

### PERFORMANCE DATA

#### OD 01 ... 04, OD AM

Sensor principle	IR-reflex light barrier acc. to DIN 19234, plug type	
Specification	supply voltage 8.2 V DC current with reflection < 1.2 mA current without reflection > 2.1 mA  forward/reverse identification integrated by an additional current barrier at 1.5 mA	
Pulse duration	OD 01 ... 04: depending on flow in the meter at meter stop continuous pulse possible	OD AM: Closing time 7 ms
Protection	IP 68 (DIN 40050)	
Temperature range	RD 01/03: ambient temperature $t_{amb} \leq 70\text{ °C}$ medium temperature $t_m \leq 50\text{ °C}$ RD 02/04/AM: ambient temperature $t_{amb} \leq 70\text{ °C}$ medium temperature $t_m \leq 150\text{ °C}$	
Connection cable	Ø 4.1 mm, 2 x 0.14 mm <sup>2</sup> , end splice, length 3 m	

#### OD 07 24 V/S

OD 07-24 V with 1 pulse output forward and 1 pulse output reverse  
OD 07-24 S with 1 pulse output and flow direction signal

Sensor principle	IR reflection light barrier, bi-directional	
Specification	all voltages are relative to GND (-) Supply voltage (+): +5 V ... +30 V DC Supply current: typ. 250 µA, max. 270 µA Output signal: open collector (npn) Darlington, with 150 Ohm series resistance and polarity protection Output voltage: SIG relative to ground (-): 0 V ... supply voltage Output current: 0 ... +40 mA	
Pulse duration	depending on flow in the meter, at meter stop continuous pulse possible	
Protection	IP 68 (DIN 40050)	
Temperature range	Operation temperature: medium: 0 ... 50 °C, cable housing: 0 ... 70 °C Storage temperature: -25 °C ... +75 °C	
Changed polarity, Short circuit	once max. 1 s at 0 ... 25 °C without damage	
Connection cable	Ø 4.1 mm, 4 x 0.14 mm <sup>2</sup> , end splice, length 3 m	

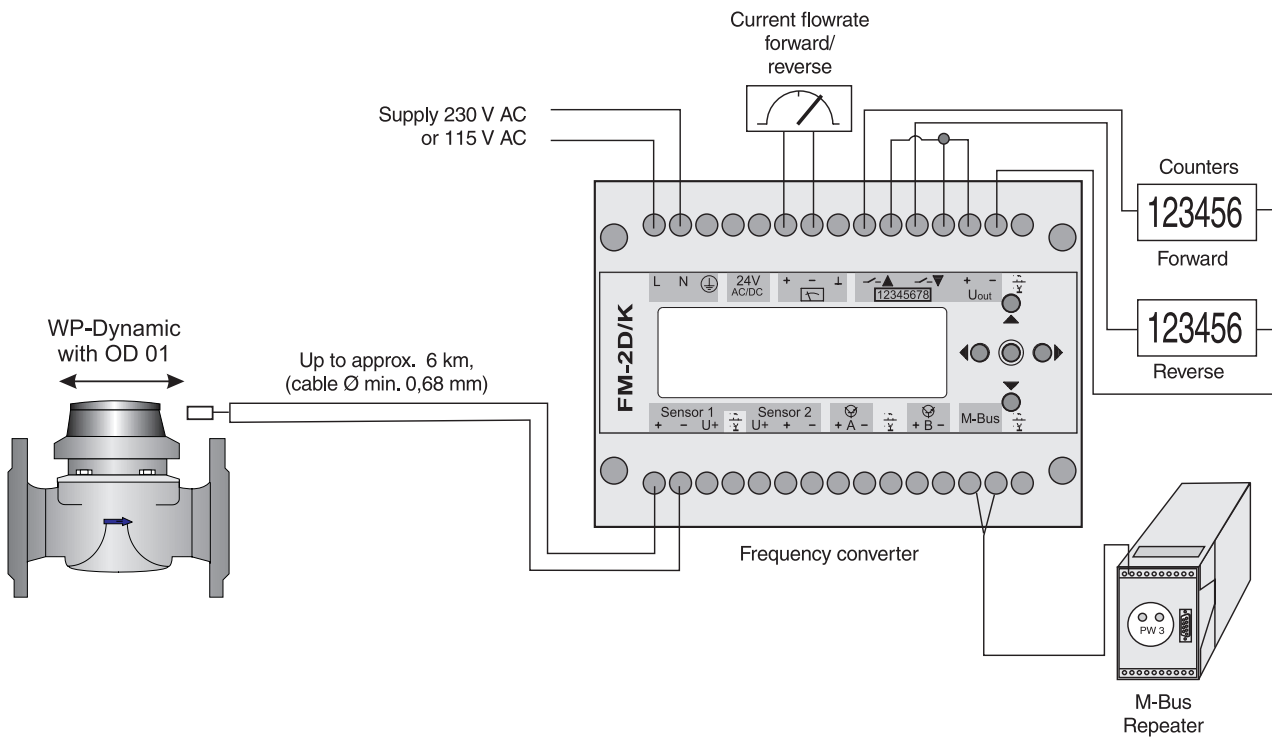
# OD

## Pulser for cold and hot water meters Dynamic

### PULSE VALUES

Nominal Diameter	DN	40 ... 125 1 pulse $\Delta$ ...	150 .. 300 1 pulse $\Delta$ ...
Cold water meter	OD 01, 07-L, 07-24 V/S	0.001 m <sup>3</sup>	0.010 m <sup>3</sup>
	OD 03	0.010 m <sup>3</sup>	0.100 m <sup>3</sup>
Hot water meter	OD 02, 02 Ex, AM	0.001 m <sup>3</sup>	0.010 m <sup>3</sup>
	OD 04	0.010 m <sup>3</sup>	0.100 m <sup>3</sup>

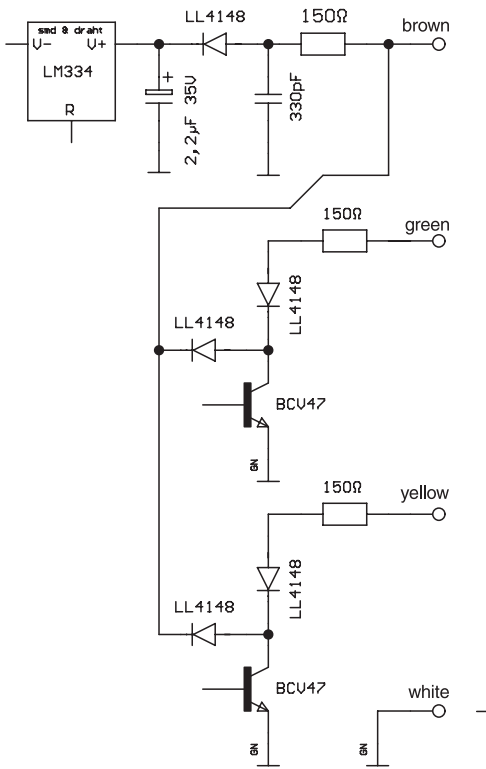
### Wiring Example OD 01 ... 04



# OD

## Pulser for cold and hot water meters Dynamic

### Wiring Example OD 07 24 V/S



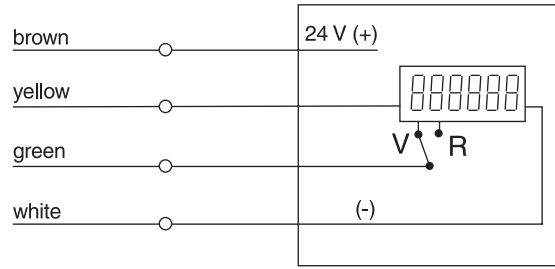
Output circuit diagram of OD 07-24S and OD 07-24V

**OD 07-24S:**

- brown: supply voltage (+)
- yellow: pulses
- green: open: forward  
closed: reverse
- white: ground
- shield: internally connected to (-)

**OD 07-24S**

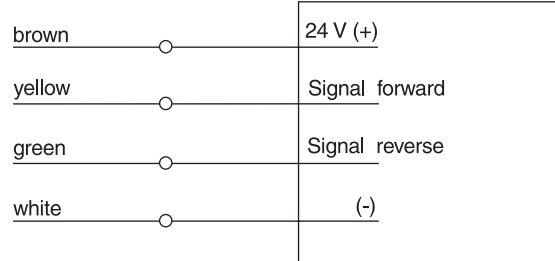
e.g. Balance totalizer



Connection Diagram OD 07-24S

**OD 07-24V**

e.g. SPC



Connection Diagram OD 07-24V

**OD 07-24V:**

- brown: supply voltage (+)
- yellow: pulses forward
- green: pulses forward
- white: ground
- shield: internally connected to (-)



Xylem.com | Sensus.com

UK & Ireland Inquiries | Sensus UK Systems Ltd. | +44 1256 372800 | [SensusUK.Orders@xylem.com](mailto:SensusUK.Orders@xylem.com)

International Inquiries | Sensus GmbH Hannover | Meineckestr. 10 | 30880 Laatzen | Germany | +49 5102 743177  
[info.int@xylem.com](mailto:info.int@xylem.com)



©2020 Sensus. All products purchased and services performed are subject to Sensus' terms of sale, available at [sensus.com](https://www.sensus.com). Sensus reserves the right to modify these terms and conditions in its own discretion. The Sensus logo and other Sensus products or services referenced are registered trademarks of Sensus.

This document is for informational purposes only, and SENSUS MAKES NO EXPRESS WARRANTIES IN THIS DOCUMENT. FURTHERMORE, THERE ARE NO IMPLIED WARRANTIES, INCLUDING WITHOUT LIMITATION, WARRANTIES AS TO FITNESS FOR A PARTICULAR PURPOSE AND MERCHANTABILITY. ANY USE OF THE PRODUCTS THAT IS NOT SPECIFICALLY PERMITTED HEREIN IS PROHIBITED.