

# Resistance thermometer

## Platinum Resistance Thermometers

### Thermometer installation

Sensus Platinum Resistance Thermometers can be installed in the pipe in the following ways:

#### 1. Screwed in or welded in to thermowell

(Figures 2 and 3)

Easy removal of the probe without emptying the pipe

Operating temperature of the resistance thermometer:

Max. 200°C (Fig. 1)

Max. 150°C (Fig. 3)

Operating pressure of the thermowell:

Max. PN 40 (Fig. 2)

Max. PN 16 (Fig. 3)

#### 2. Ball valve

Platinum resistance thermometers directly in the medium can also be used as a shut-off device. This means that no emptying of the pipe is necessary when removing the temperature probe.

Operating temperature of the ball valves:

Max. 150°C (Fig. 5)

Operating pressure:

Max. PN 16

#### 3. T-piece

The pipe must be emptied when removing the Sensus RTD.

Max. 130°C (Fig. 6)

### PT 500 WITH ACCESSORIES

#### Thermometers and thermowells (type overview)

		DN 20 to 40	from DN 50
Platinum thermometer	Pt 500	Pt 500.100	Pt 500.150
Installation length of the platinum thermometers	L	106 mm	161 mm
Thermowell	in St. 35.8	T 100.St	T150.St
Thermowell	in V4A	T 100.V4A	T 150.V4A
Installation length of the thermowell (Fig. 2)	L <sub>1</sub>	93 mm	148 mm

Fig. 1

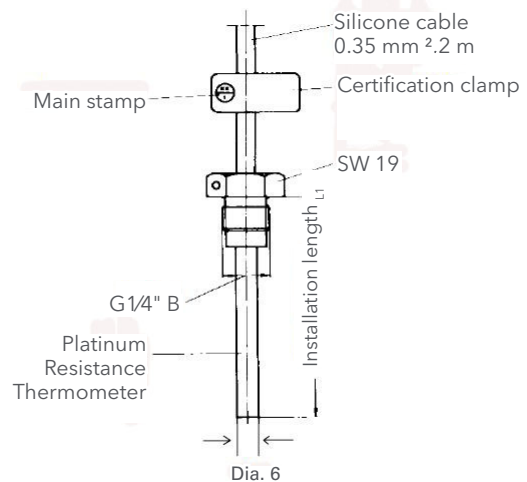
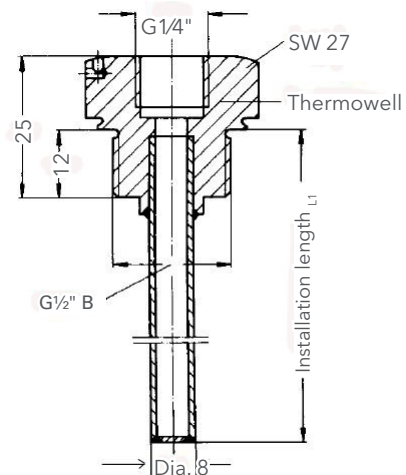


Fig. 2



# Resistance thermometer

## Platinum Resistance Thermometers

### Pt 500 with thermowell, short construction length

Fig. 3

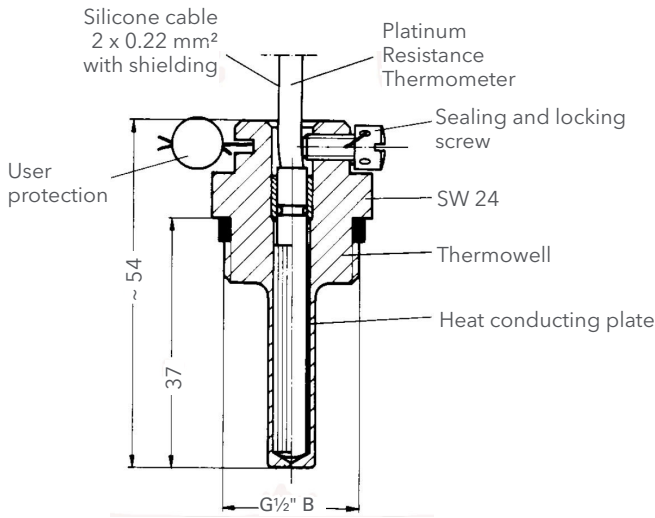
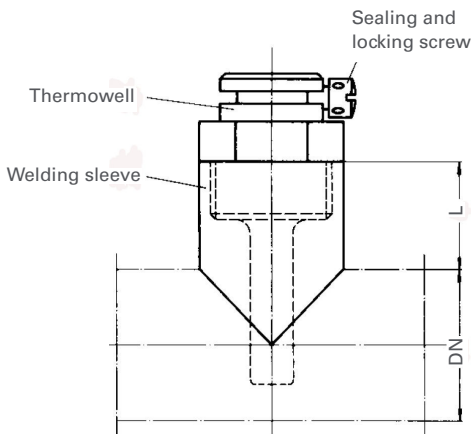


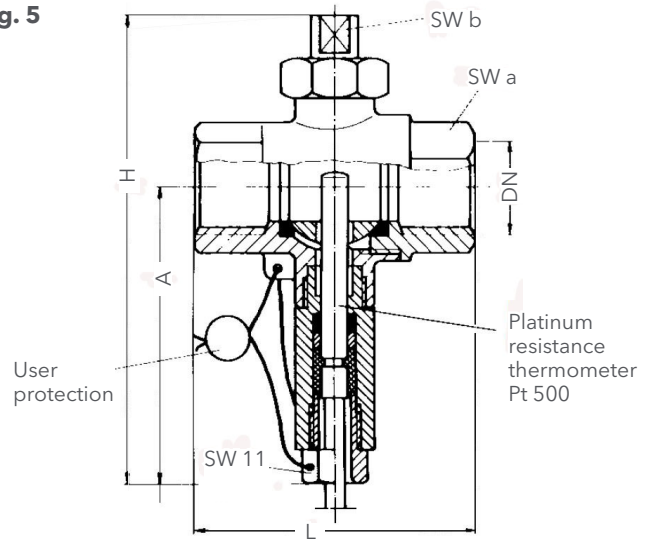
Fig. 4



### Pt 500 with ball valve or T-piece for measurement directly in the medium

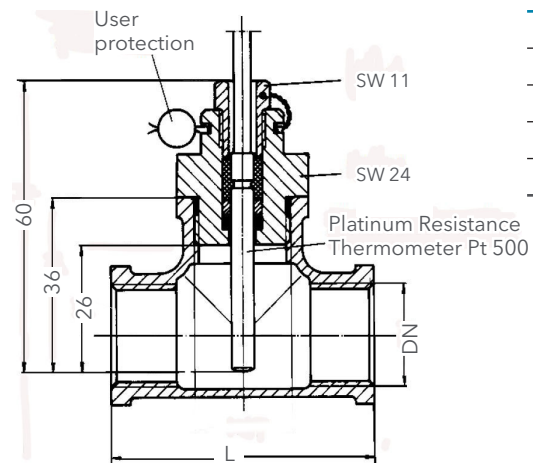
For easier assembly and disassembly of the ball valves, we recommend pipe fittings no. 331 or no. 341 made of gunmetal according to DIN 2950 to be used as an interface between the pipe and ball valve.

Fig. 5



DN	L	A	H	SWa	SWb
1/2"	63	54	94	26	7
3/4"	72	58	101	32	7

Fig. 6



DN	L
R1/2"	56
R3/4"	60
R1"	62
R1 1/4"	66



Xylem.com | Sensus.com

UK & Ireland Inquiries | Sensus UK Systems Ltd. | +44 1256 372800 | [SensusUK.Orders@xylem.com](mailto:SensusUK.Orders@xylem.com)

International Inquiries | Sensus GmbH Hannover | Meineckestr. 10 | 30880 Laatzen | Germany | +49 5102 743177  
[info.int@xylem.com](mailto:info.int@xylem.com)

©2020 Sensus. All products purchased and services performed are subject to Sensus terms of sale, available at [sensus.com](https://www.sensus.com). Sensus reserves the right to modify these terms and conditions at its own discretion. The Sensus logo and other Sensus products or services referenced are registered trademarks of Sensus.

This document is for information purposes only, and SENSUS MAKES NO EXPRESS WARRANTIES IN THIS DOCUMENT. FURTHERMORE, THERE ARE NO IMPLIED WARRANTIES, INCLUDING WITHOUT LIMITATION, WARRANTIES AS TO FITNESS FOR A PARTICULAR PURPOSE AND MERCHANTABILITY. ANY USE OF THE PRODUCTS THAT IS NOT SPECIFICALLY PERMITTED IS PROHIBITED.

