

PolluStat®

Compact heating/cooling meter

- District Heat / Industry Heat
- Commercial Heating / Cooling (HVAC)
- Domestic Warm Water Generation / Charging Systems

...

The compact PolluStat ultrasonic meter measures energy consumption in heating or cooling circuits. Thanks to its high-precision flow sensor, the application range stretches from district heating stations to consumption billing for individual apartments.

It is equipped with a large comprehensive LC display with programmable screens.

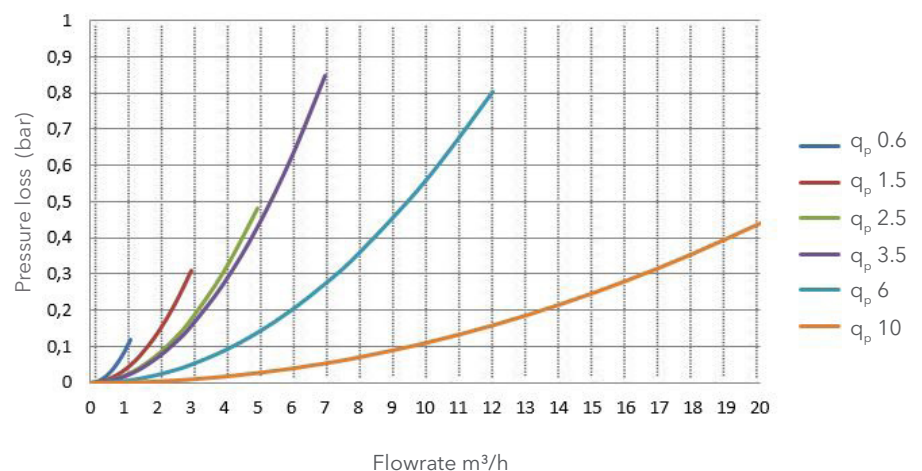
The following modules for remote readout and data communication are available as options and can be retrofitted:

FEATURES

- MID approval in class 2 per EN 1434 for arbitrary installation (also overhead)
- Temperature range of the flow sensor:
 - Heating meter 15 to 90 °C (110 °C for maximum 2000 h per year)
 - Cooling meter 5 to 50 °C
 - Hybrid meter
 - Heating: 15 to 90 °C (110 °C for maximum 2000 h per year)
 - Cooling: 5 to 50 °C
- With detachable calculator unit for installation sites with limited space with approx. 0.85 m connection cable
- Optical data interface (M-Bus protocol) as standard
- Tariff registry: 2 pcs. individually adjustable; save energy or time
- Freely selectable annual cut-off date
- 15 monthly values via radio
- 15 monthly and 15 half-monthly values via the display
- 24 monthly and semi-monthly values via optical interface or M-Bus
- Storage of flow rate, power and temperature, as well as the respective maximum values of the last 15 months
- PT1000 temperature sensor:
 - Length 45 mm / diameter 5.2 mm, cable length 1.5 m
 - Length 50 mm with locking sleeves at 85 and 100 mm / diameter 6.0 mm, cable length 3 m

- Wireless M-Bus
- M-Bus per EN 1434-3 with arbitrary readout frequency, the values update every 2 min.
- Wireless M-Bus and 3 pulse inputs for consumption meters with remote meter pulse output
- M-Bus per EN 1434-3 and 3 pulse inputs for consumption meters with remote meter pulse output
- Pulse output
- Modbus RTU
- LoRaWAN

Pressure Loss Curve



PolluStat

Compact heating/cooling meter

The option modules

For electronic remote reading of the meters and connection to building automation systems, a series of optional modules are available for the PolluStat series, which can be installed in the factory or retrofitted at any time:

Wireless M-Bus (radio)

A wireless M-Bus interface for walk-by and stationary readout in accordance with Open Metering Standard (OMS). 868 MHz frequency with the freely selectable modes S1, T1 and C1. Encryption modes 5 and 7 can also be selected per OMS 4.0.2.

M-Bus

For cable-connected data readout via a 2-wire cable with reverse polarity protection per EN13757. Suitable for monitoring, building automation or connection to an existing M-Bus network. Unlimited number of readouts. (Data update rate 120 s, with network operation 2 s.)

Remote meter pulse

A potential-free pulse output for connection to various interrogation devices.

Wireless M-Bus (radio) with three inputs for external consumption meters

This option allows the connection of up to three external consumption meters, e.g. an electricity meter, a cold and a hot water meter. Reed contact or open collector pulse can be connected. The pulse value can be adjusted with the optical head and by suitable software.

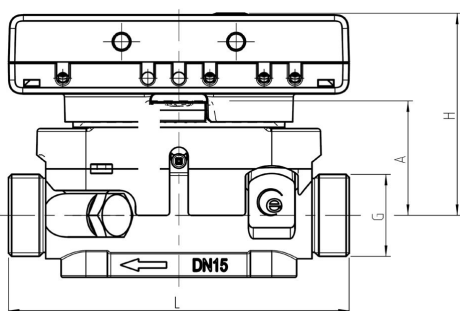
M-Bus with three inputs for external consumption meters

This option allows the connection of up to three external consumption meters, e.g. an electricity meter, a cold and a hot water meter. Reed contact or open collector pulse can be connected. The pulse value can be adjusted with the optical head and by suitable software.

Weights and dimensions

Calculator unit dimensions

75 x 110 x 34.5 mm



METER DIMENSIONS

q _p	Nominal diameter	G (")	L (mm)	H (mm)	A (mm)	Weight (kg)
0.6	DN 15	¾	110	65	37	0.720
1.5	DN 15	¾	110	65	37	0.720
2.5	DN 20	1	130	65	37	0.770
3.5	DN 25	1¼	150	65	37	0.930
6	DN 25	1¼	150	67.5	39.5	0.930
6	DN 25	1¼	260	67.5	39.5	0.120
10	DN 40	2	200	73	45	1.580
10	DN 40	2	300	73	45	2.050

PolluStat

Compact heating/cooling meter

TECHNICAL DATA

Characteristic	q _p 0.6	q _p 1.5	q _p 2.5	q _p 3.5	q _p 6	q _p 10
Nominal flow q _p in m ³ /h	0.6	1.5	2.5	3.5	6	10
Minimum flow q _i m ³ /h	0.012	0.012	0.025	0.028	0.06	0.1
Accuracy class	2 or 3 per EN 1434					
Ratio q _i /q _p	1:50	1:125	1:100	1:125	1:100	1:100
Maximum flow q _s in m ³ /h (short-term)	1.2	3	5	7	12	20
Start-up value in m ³ /h (average value)	0.006	0.006	0.012	0.014	0.03	0.05
Temperature measurement range	0 - 150°C (with cooling metering 0 to 50 °C)					
Temperature difference range	3 - 100 K (with cooling metering -3 to -50 K)					
Minimum temperature difference	> 0.05 K (with cooling metering < -0.05)					
Permissible temperature in the flow sensor	Heating meter 15 - 90 °C (Also as variant 15 - 130 °C or Hybrid 15 - 120 °C) Cooling meter 5 - 50 °C					
Temperature measurement cycle	2 / 60 s (dynamic); with network operation 2 s					
Flow measurement cycle	2 s					
Through-pass value in m ³ /h at 0.1 bar pressure loss	1.1	1.7	2.3	2.4	4.2	9.5
Pressure loss at q _p in bar	0.03	0.13	0.12	0.21	0.2	0.11
kvs value (in m ³ /h at 1.0 bar pressure loss)	3.5	5.4	7.2	7.6	13.4	30.2
Permissible operating pressure in bar	16					
Length of the connecting cable m	0.85					
Permissible ambient temperature	5 - 55 °C at 95% rH					
Electromagnetic environmental conditions	Class E2					
Mechanical environmental conditions	Class M1					
Protection class	IP 65					
Storage temperature	-20 ... 55 °C					
Relative humidity	95 %					
Battery life	10 years / except for pulse output 6 + 1 years					



Xylem.com | Sensus.com

UK & Ireland Inquiries | Sensus UK Systems Ltd. | +44 1256 372800 | SensusUK.Orders@xylem.com

International Inquiries | Sensus GmbH Hannover | Meineckestr. 10 | 30880 Laatzen | Germany | +49 5102 743177
info.int@xylem.com



©2020 Sensus. All products purchased and services performed are subject to Sensus' terms of sale, available at sensus.com. Sensus reserves the right to modify these terms and conditions in its own discretion. The Sensus logo and other Sensus products or services referenced are registered trademarks of Sensus.

This document is for informational purposes only, and SENSUS MAKES NO EXPRESS WARRANTIES IN THIS DOCUMENT. FURTHERMORE, THERE ARE NO IMPLIED WARRANTIES, INCLUDING WITHOUT LIMITATION, WARRANTIES AS TO FITNESS FOR A PARTICULAR PURPOSE AND MERCHANTABILITY. ANY USE OF THE PRODUCTS THAT IS NOT SPECIFICALLY PERMITTED HEREIN IS PROHIBITED.