



DATASHEET ULTRAHEAT® T450 | ULTRACOLD® T450

STATIC ULTRASONIC HEAT AND COOLING METER



Application

The T450 is a universal ultrasonic heat, cooling or combined heat and cooling meter. By its precision, reliability and flexibility it covers both the requirements in the field of domestic technology and district heat / cooling perfectly. All of this is accomplished with a high degree of economy.

Key Facts

- Module slot for communication module
- Metrological logbook - metrologically relevant changes possible in the field
- Logbook with 44 monitored functions
- Battery life up to 20 years
- Battery lifetime calculation
- Power-over-M-Bus
- Firmware update in the field
- Developed and Manufactured in Germany

Technical Data

General

Measuring accuracy	Class 2 or 3 (EN 1434)
Environment class	A (EN 1434)
Mechanical class	M2 (2014/32/EU)
Electromechanical class	E1 (2014/32/EU)
Ambient humidity	< 93 % rel. humidity at 25 °C, without condensation
Max. height	2000 m above sea level
Storage temperature	-20 ... 60 °C

Electronic unit

Ambient temperature	5 ... 55 °C
Housing protection class	IP 54 / IP 68 optional (EN 60529)
Power supply	1 - 4 AA cell batteries for 6 - 20 years
Operation threshold ΔT	< 0.2 K
Temperature difference ΔT	3 K ... 120 K
Temperature measurement range	0 ... 180 °C
LCD	8 digit
Optical interface	Standard (EN 62056-21)
Communication	Optional, e.g. M-Bus, wM-Bus
Separability	Always, cable length 1.5 m / 5 m

Power supply

Battery type	AA-cell lithium
Lithium content	0.65 g per battery
Number of batteries	1 - 4, depending on the configuration

Temperature sensors

Type	Pt 500 or Pt 100 (EN 60751)
Connection type	2-wire technology
Cable length acc. approval	Max. 10 m

Construction types and temperature range available

Type PS \varnothing 5.2 x 45 mm, 1.5 m, 150 °C;
 Type PS \varnothing 5.2 x 45 mm, 5.0 m, 150 °C;
 Type DS, M10 x 27,5 mm, 1.5 m, 150 °C
 Type DS, M10 x 27,5 mm, 2.5 m, 150 °C
 Type DS, M10 x 38 mm, 1.5 m, 150 °C
 Type DS, M10 x 38 mm, 2.5 m, 150 °C
 Type U \varnothing 6.0 x 60 mm, 3.0 m, 150 °C
 Type U \varnothing 6.0 x 60 mm, 5.0 m, 150 °C

Volume measuring tube

Protection class	IP 54 / IP65 / IP 68 optional (EN 60529)
Mounting place	Hot side / cold side parameterizable
Installation position	Any
Flow straightening	None
Measuring range	1:100
Temperature range	5 ... 130 °C *)

Recommended for...

... heat metering	10 ... 130 °C
... cold metering	5 ... 50 °C

Maximum overload	2.8 x q_p
Nominal pressure	PN16 (PS16), PN25 (PS25)

*) National type approvals may be different



DATASHEET ULTRAHEAT® T450 | ULTRACOLD® T450

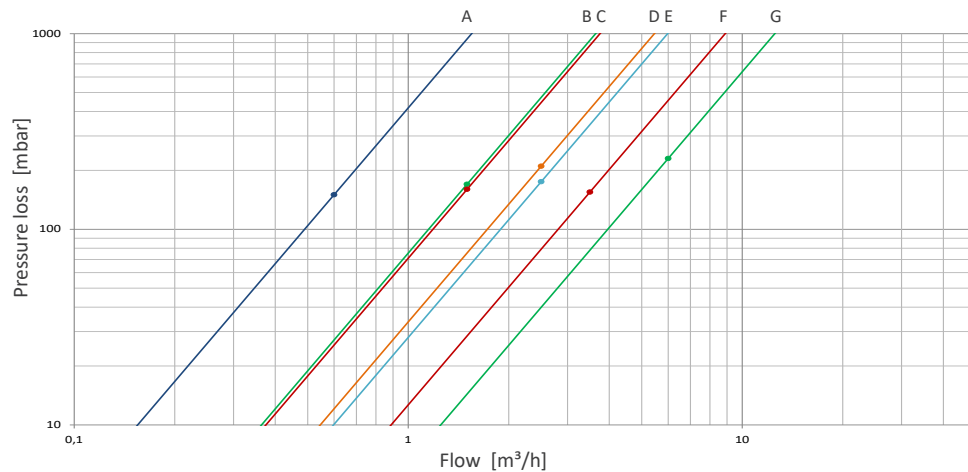
STATIC ULTRASONIC HEAT AND COOLING METER



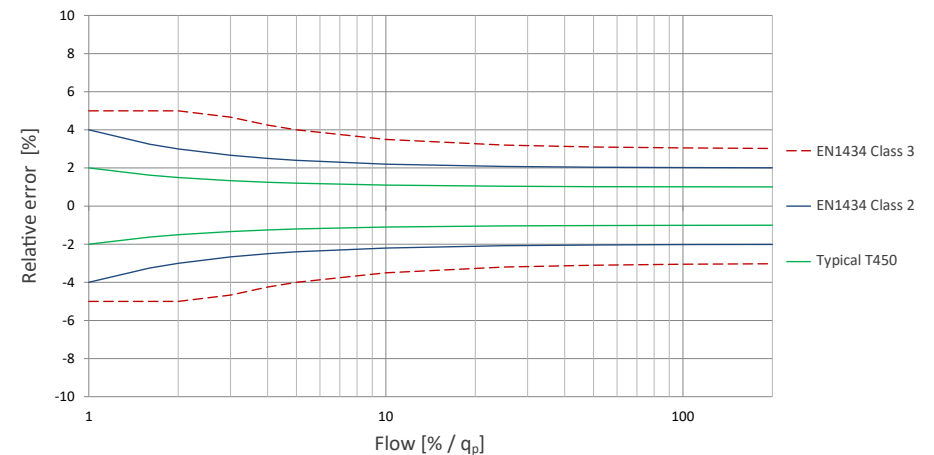
Technical Data

Nominal flow q_p	0.6	0.6	1.5	1.5	1.5	2.5	2.5	3.5	6.0	[m³/h]
Overall length	110	190	110	130	190	130	190	260	260	[mm]
Connection	G¾	G1	G¾	G1	G1	G1	G1	G1 ¼	G1 ¼	
Maximum flow rate q_s	1,2	1,2	3	3	3	5	5	7	12	[m³/h]
Minimum flow rate q_i	6	6	15	15	15	25	25	35	60	[l/h]
Response threshold (variable)	2.4	2.4	6	6	6	10	10	14	24	[l/h]
Pressure loss at q_p	150	150	160	170	170	210	175	155	230	[mbar]
Kv-Factor at Δp 1bar	1.5	1.5	3.6	3.8	3.8	6.0	5.3	9.0	12.8	[m³/h]
Graph in diagram	A	A	B	C	C	E	D	F	G	
Weight	1.0	1.5	1.0	1.5	1.5	1.5	1.5	2.0	2.0	[kg]
Packing Dimensions	Length	226	226	226	226	226	226	288	288	[mm]
	Width	186	186	186	186	186	186	188	188	[mm]
	Height	117	117	117	117	117	117	162	162	[mm]

Pressure loss diagram



Typical error acc. to EN1434





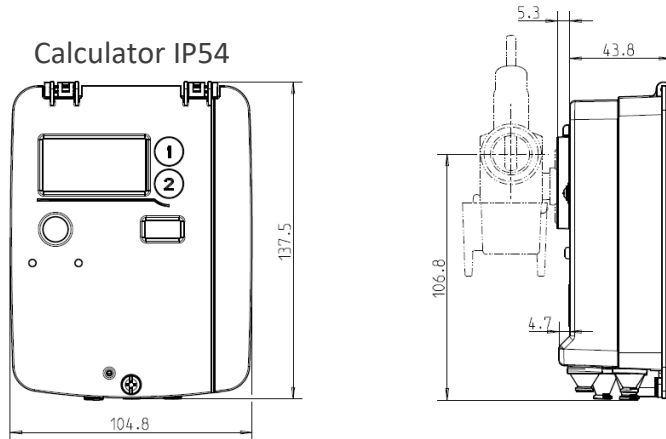
DATASHEET **ULTRAHEAT® T450** | **ULTRACOLD® T450**

STATIC ULTRASONIC HEAT AND COOLING METER

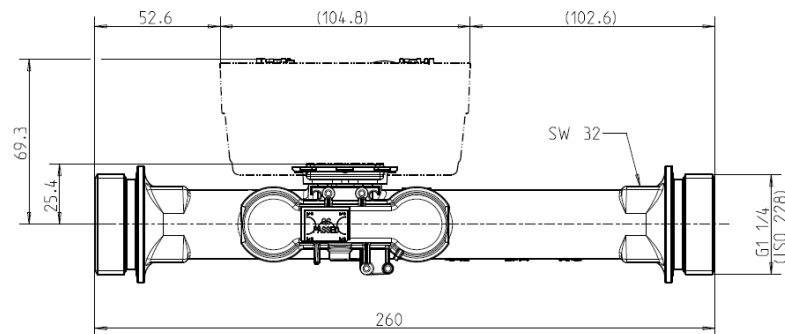
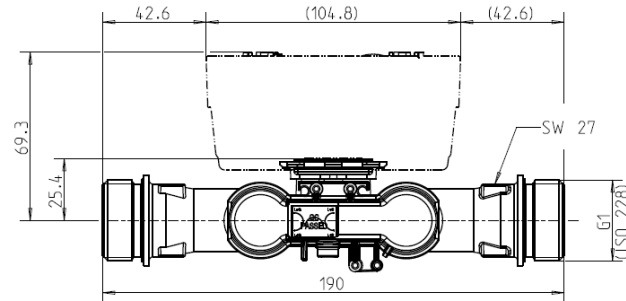
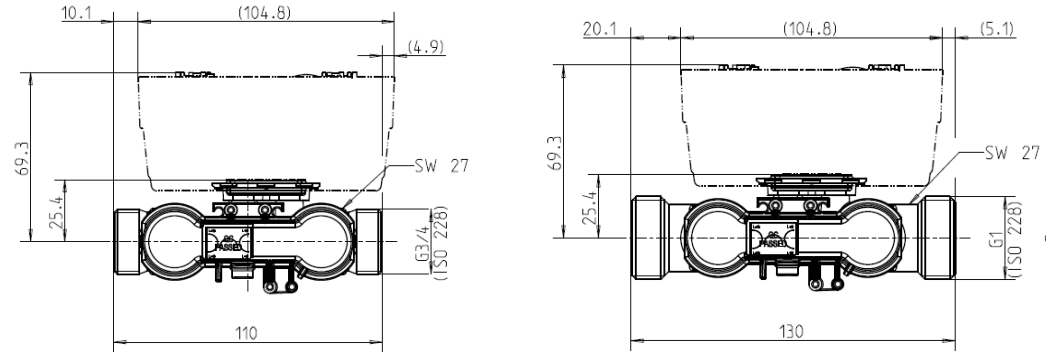
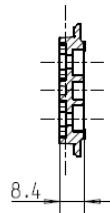
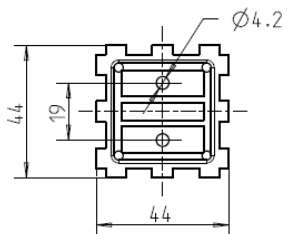
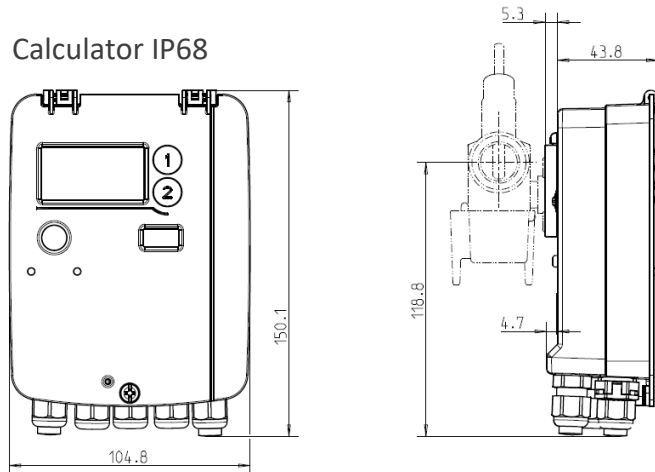


Dimensions

Calculator IP54



Calculator IP68





DATASHEET ULTRAHEAT® T450 I ULTRACOLD® T450

STATIC ULTRASONIC HEAT AND COOLING METER



Communication (optional)

M-Bus	
Standard	EN 13757-2 / EN 13757-3 / OMS
Separation	Galvanic Connected
Connection	Double terminal
Power consumption	Max. 1 M-Bus load (1.5 mA)
Address	Primary or secondary
Transmission rate	300 Bd and 2400 Bd with automatic baud rate detection
Reading interval	> 1 min @ 2400 Bd > 1 h @ 300 Bd

wM-Bus	
Standard	Open Metering System Specification Vol.2 Issue 4.2.1:2019 EN 13757-4:2018; EN13757-4:2019
Mode	T1 or C1
Frequency	868,95 MHz (min. 868.90 MHz - max. 869.00 MHz)
Transmission Power (ERP)	min. 3.16mW (5dBm) to max. 25 mW (13.9 dB)
Transmission interval	30 sec., 900 sec.
Encryption	None Security profile A (Encryption Mode 5) Security profile B (Encryption Mode 7)

Pulse output	
Standard	OB / OC (acc. to EN1434-2)
Output type	Open Drain
Voltage	max. 30 V
Current	max. 30 mA
Dielectric strength	500 V _{eff} against ground
Voltage Drop	0.9 V @ 30mA (OB) / 0.1 V @ 0.1 mA (OC)
Channels	2 (default setting CE / CV)

Pulse input	
Standard	Class IB / IC (acc. to EN1434-2)
Max. cable length	10 m
External connection	Open Drain
Current	max. 30 mA
Max. Pulse frequency	Max. 3 µA
Min. Pulse length	Min. 30 ms
Polarity	Active Low
Channels (Devices)	2