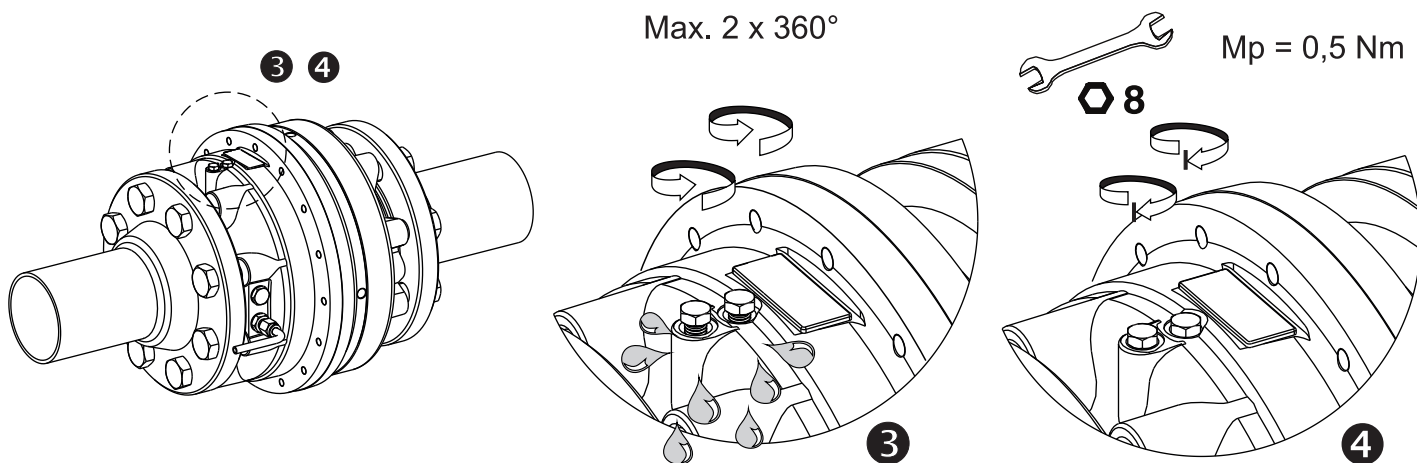
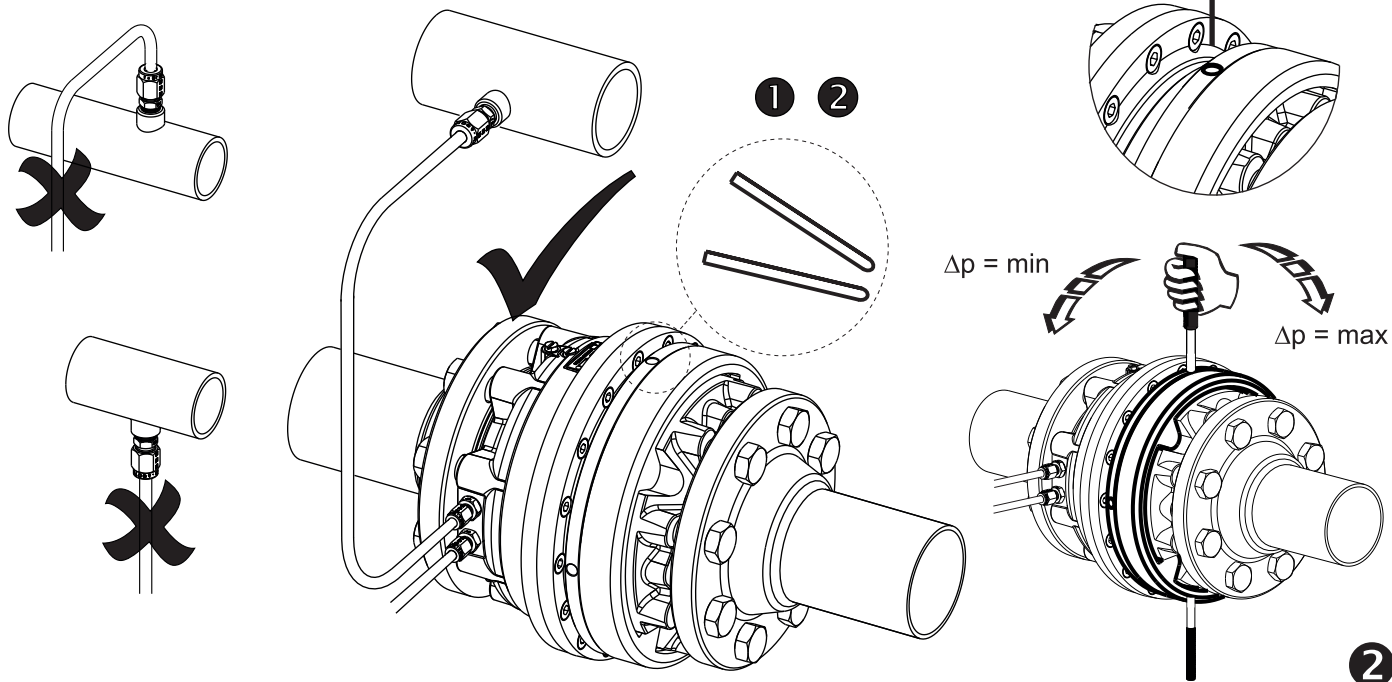


Number of turns	Δp [kPa] 5 - 30	Δp [kPa] 10 - 60	Δp [kPa] 10 - 100	Δp [kPa] 60 - 150
6,5	3,8	7,7	13,8	13,8

Measure flow & adjust Δp accordingly



DAF 516 - START-UP PROCEDURE

