

ACTUATORS



HIGH PERFORMANCE PROPORTIONAL ACTUATOR

A proportional actuator which, when used together with the TBV-CM, provides superbly accurate modulating control. High IP class for reliable operation and the unique design ensures long product lifetime.



POSITION INDICATOR
For straightforward maintenance.



M30X1.5 CONNECTION
Compatible with all TA valves and floor heating manifolds with a M30x1,5 connection to the actuator.

TSE-M

ROOM TEMPERATURE CONTROL

TECHNICAL DESCRIPTION

Applications:

For modulating control.

Supply voltage:

24V AC $\pm 20\%$

Frequency 50-60 Hz

Power consumption:

Starting 6 W

During operation 3 W

Starting current 230 mA

Stand-by current 25 mA

Control voltage:

0-10 V / 10-0 V DC

2-10 V / 10-2 V DC

$R_i \geq 800 \text{ k}\Omega$

Control speed:

30 s/mm

Adjusting force:

125 N

Temperature:

Max. ambient temperature: 50°C

Min. ambient temperature: -5°C

Enclosure class:

IP 42/44 depending on position.

Cable:

Cable length: 2 m alternatively 5 m.

Connection cable: 4 x 0,25 mm². The cable is stripped 50 mm and each wire is isolated.

Stroke:

4,6 mm

Connection to valve:

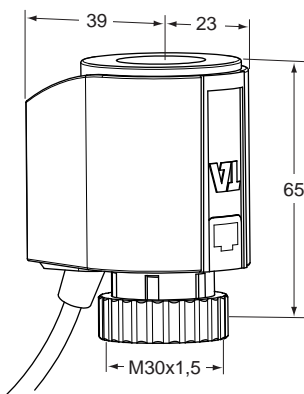
Retainer nut M30x1,5 of nickle plated brass.

Colour:

White RAL 9010

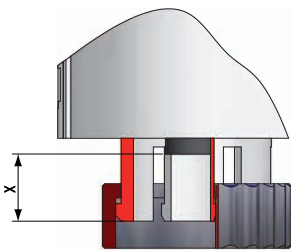


24V AC/DC



TA No	Cable length	Control voltage
TSE-M, NC (normally closed)		
50 359-002	2 m	0-10 V
50 359-012	5 m	0-10 V
50 359-402	2 m	2-10 V
50 359-412	5 m	2-10 V

WORKING RANGE



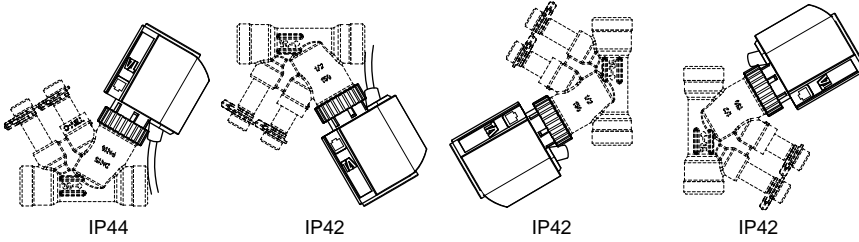
TSE-M is designed to be used together with TBV-CM.
The actuator has a working range corresponding to $X = 11,50 - 15,80$ mm.

TSE-M

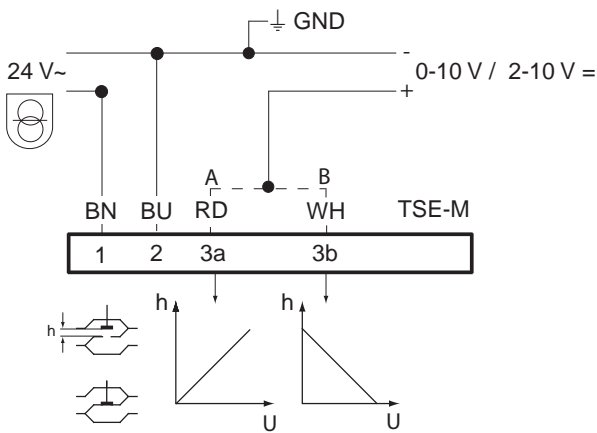
ROOM TEMPERATURE CONTROL

INSTALLATION

TSE-M + TBV-CM give the following enclosure class:



Wiring diagram:



h = percentage opening
U = output signal

The products, texts, photographs, graphics and diagrams in this brochure may be subject to alteration by Tour & Andersson without prior notice or reasons being given.
For the most up to date information about our products and specifications, please visit www.tourandersson.com.

1-10-20 TSE-M 2009.01

we knowhow

TA