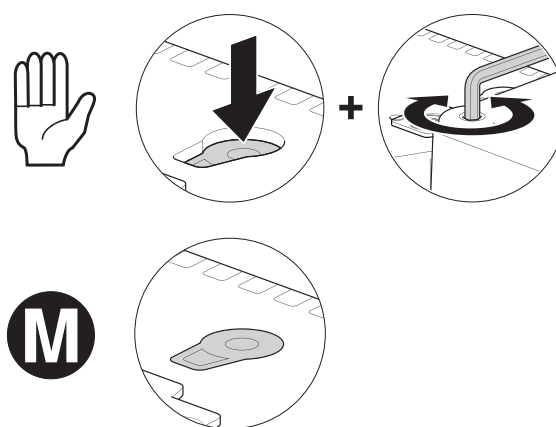
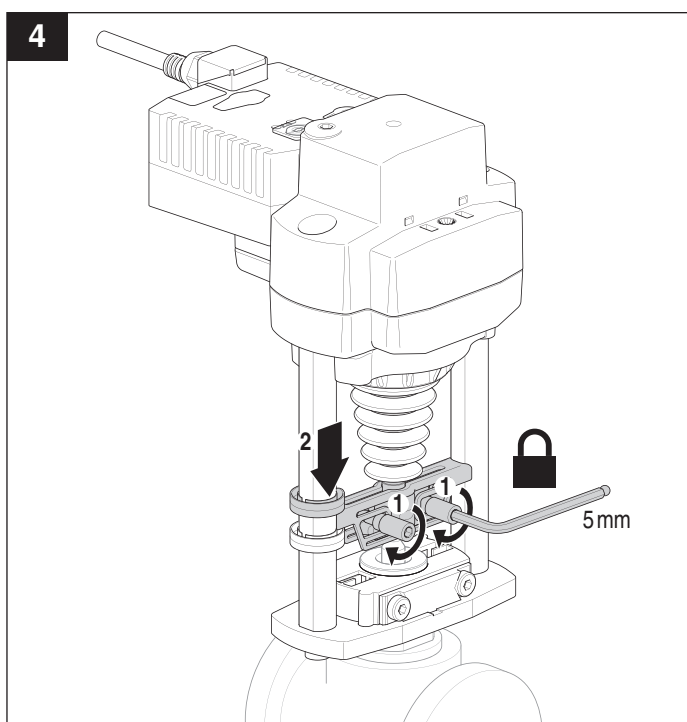
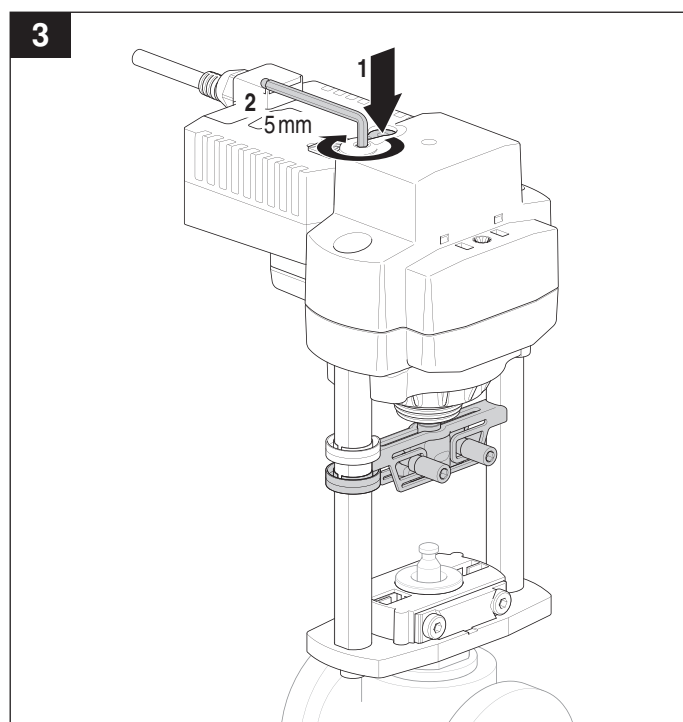
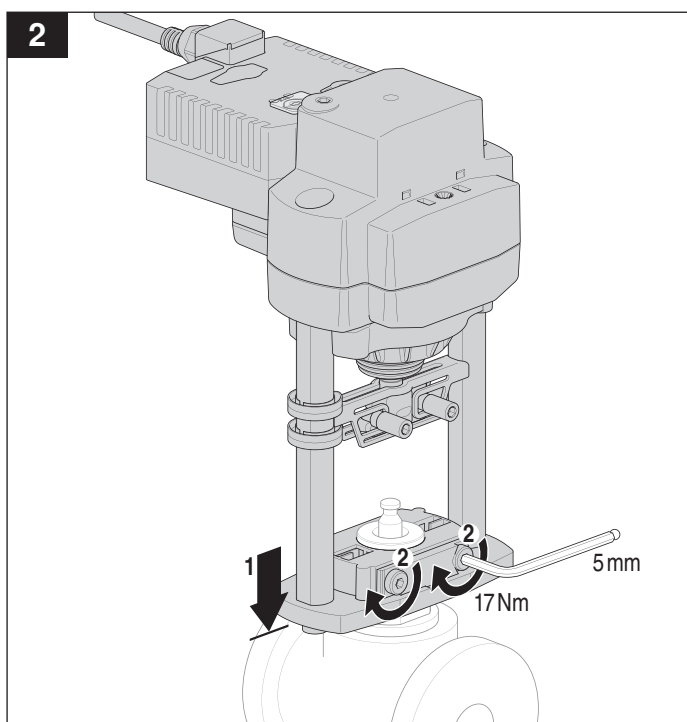
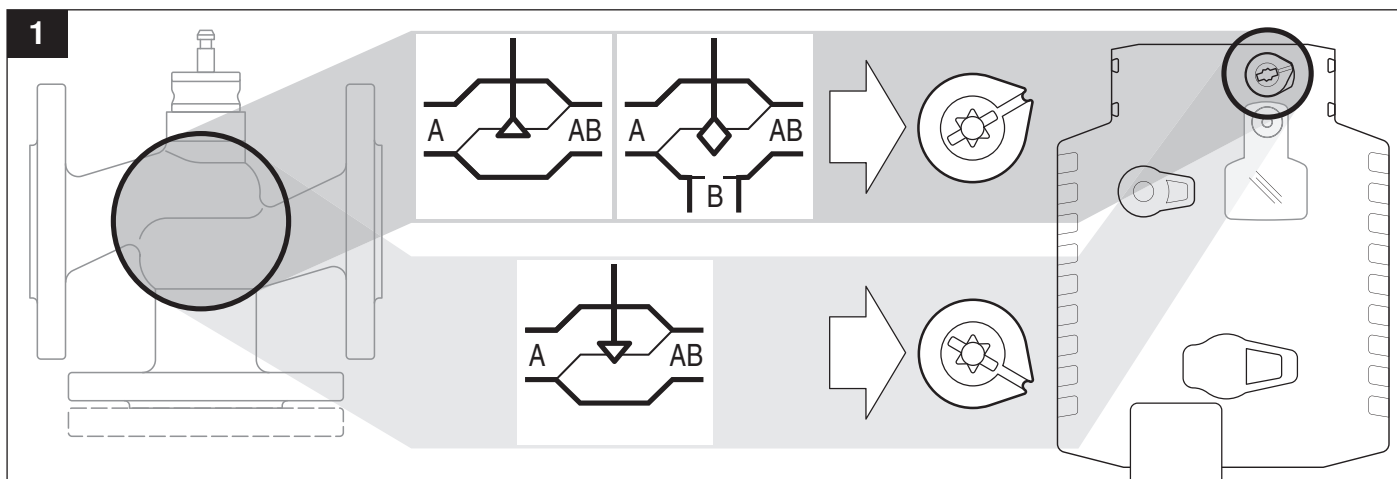
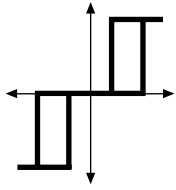


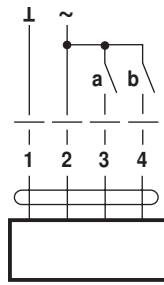
71401-00001.E



www.belimo.eu/safety

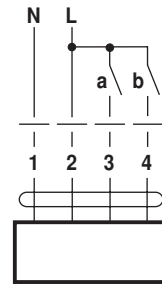


AC 24 V



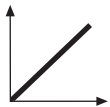
AVK24A-3

AC 230 V ⚠

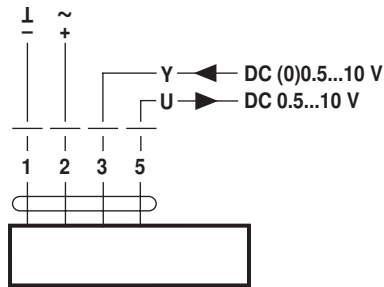


AVK230A-3

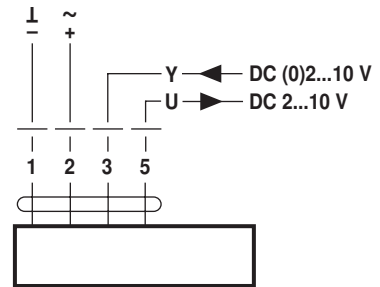
3 a	4 b		
		↓	↑
		—	—
		↑	↓
		↓	↑



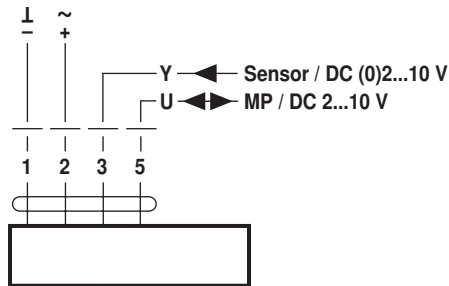
AC 24 V / DC 24 V



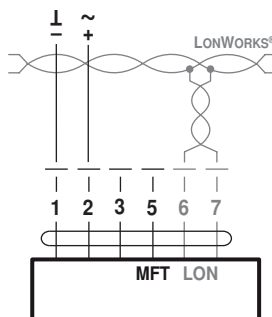
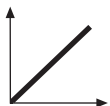
AVK24A-SZ



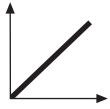
AVK24A-SR



AVK24A-MP

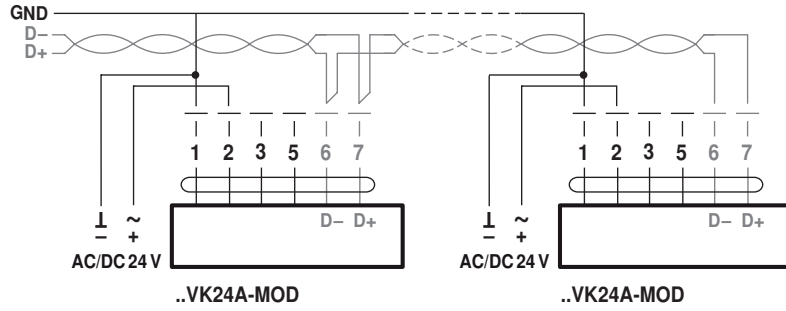


..VK24ALON

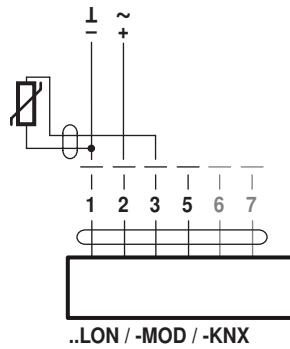
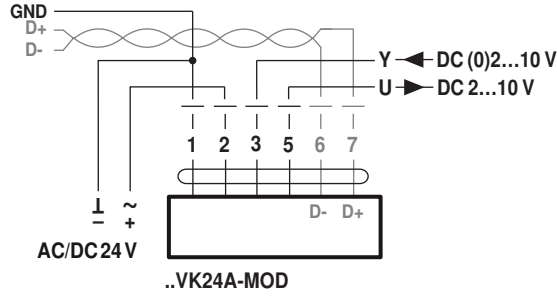


AC 24 V / DC 24 V

BACnet MS/TP / Modbus RTU



BACnet MS/TP / Modbus RTU / analog



Ni1000	-28...+98°C	850...1600 Ω ²⁾
PT1000	-35...+155°C	850...1600 Ω ²⁾
NTC	-10...+160°C ¹⁾	200 Ω...60 kΩ ²⁾

