

# EVOPLUS SMALL / EVOPLUS SMALL SAN

WET ROTOR ELECTRONIC CIRCULATORS



D CONNECT



EVOPLUS SMALL



EVOPLUS SMALL SAN

## TECHNICAL DATA

**Operating range:** from 2 a 12 m<sup>3</sup>/h with head of up to 11 metres.  
**Pumped liquid temperature range:** from -10 °C to +110 °C.  
**Pumped liquid:** clean, free of solids and mineral oils, non-viscous, chemically neutral, with properties similar to water. (glycol max 30%).  
**Maximum operating pressure:** 16 bar (1600 kPa).  
**Standard flanges:** DN 32, DN 40 PN 6 / PN 10 / PN 16 (4 holes).  
**Maximum ambient temperature:** + 40 °C.  
**Minimum suction pressure:** the values are shown in the corresponding tables.  
**Accessories:** ½" F, ¾" F, 1" F, 1" ¼ F, 1" ¼ M union connectors. DN 32 PN 10 and DN 40 PN 10 threaded counter flanges.  
**Electromagnetic compatibility:** EVOPLUS circulator comply with EN 61800-3 standard, category C2, as far as electromagnetic compatibility.  
**Electromagnetic emissions:** Residential environment (containment measures might be required in some cases).  
**Conducted emissions:** Residential environment (containment measures might be required in some cases).  
**Circulator protection class:** IP 44.  
**Insulation class:** F.  
**Standard voltage:** single-phase 220-240 V, 50/60 Hz.  
**Sound pressure values:** ≤ 33 dB(A).  
Product compliant with European Standards EN 61800-3 – EN 60335-1 – EN 60335-2-51

## APPLICATIONS

EVOPLUS circulation electronic pumps can be used in heating, ventilation, and air conditioning systems for residential and commercial buildings, like:

- Large residential buildings
- Condominiums and small apartment buildings
- Homes
- Real estate buildings
- Private and public hospitals
- Schools
- Office buildings

Single version available, with 1 ½" e 2" threaded ports, and with DN 32 and DN 40, PN 6 / PN 10 / PN 16 flanged ports.

Twin version available with DN 32 and DN 40, PN 6 / PN 10 / PN 16 flanged pump body.

Special version available with bronze pump body for the recirculation of sanitary water.

Possibility of 0-10 V or PWM external signal control, and connection to ModBus management systems (LonBus with appropriate additional communication module), with the use of the optional Multifunction module (supplied as standard for the twin version). **You can remotely control the single version thanks to the Dconnect service** (with Dconnect box supplied separately).

## HEATING SYSTEM APPLICATIONS

The heating required for the different applications varies significantly during day and night, due to the external temperature, or the degree of occupancy inside the areas. To the above, one must add the different needs of the various environments, and the opening or closing of the various circuit branches of complex systems. Electronic wet rotor pumps ensure at all times, and virtually in all correctly sized systems, a sufficient level of energy, together with a quieter operation, and more comfort, together with an important reduction of operating costs.

## AIR CONDITIONING APPLICATIONS

Unlike conventional electronic pumps, EVOPLUS electronic circulators can be used also in air conditioning systems where the temperature of the pumped liquid is lower than the room temperature. In these conditions, condensation tends to form on the outer surface of the circulator, which however does not affect the operation of the electronic and the mechanical components. The unit is designed and sized in such a way that it allows condensation to drain without damage to the construction components.

## SANITARY RECIRCULATION APPLICATIONS

The SAN version, with bronze pump body, was specifically developed for the recirculation of sanitary water. With the constant temperature mode of operation, the temperature inside the recirculation piping is controlled without the need for thermostat valves, therefore optimizing comfort.

## CONSTRUCTION FEATURES

Monobloc circulation pump consisting of the cast iron hydraulic section, and the wet rotor synchronous motor. Aluminium motor casing. Scroll type pump body featuring high hydraulic efficiency thanks to highly precise design and smooth internal surfaces. In-line suction and delivery ports. The single version is supplied as standard with insulating casing, to avoid heat dispersion and/or the formation of condensation on the pump body. For the twin version, the insulation must be provided by the installer. In any case, pay attention not to obstruct the condensation drainage ducts, to avoid impairing the operation of the circulator. The EVOPLUS circulators for small collective systems are connected to the power input line using a practical connector with plug supplied as standard, which makes the operation quick and easy. Technopolymer impeller, aluminium motor shaft on graphite bushings lubricated by the pumped liquid. Stainless steel rotor protection liner. Ceramic thrust ring, ethylene-propylene seal rings and carbon fibre composite stator liner. Asynchronous motor with permanent magnet rotor. The twin version features an automatic swing check valve incorporated in the delivery port, to avoid water recirculating through the unit when this is not running; in addition, a blank flange is also supplied as standard, to allow either of the two motors to be removed for servicing. PN 16 standard pump body execution, flanged with 4 holes, compatible with PN 6 / PN 10 / PN 16 counter flanges, to ensure the interchangeability of the pumps in existing systems.

# DCONNECT SERVICE

## REMOTE CONTROL FOR ELECTRONIC RESIDENTIAL AND COMMERCIAL SYSTEMS

The Dconnect service offers simple and intuitive remote control of your installation, without the need of a server or specialist personnel.

**With Dconnect, you can remotely manage your installations as if you were right in front of them.**

Thanks to the system operation charts, you will also be able to optimise operation. You will also receive prompt notifications of any system faults.

### THE CONNECTIVITY SERVICE ALLOWS YOU TO:

#### EASILY MONITOR YOUR SYSTEMS

The installations with green status are OK, while the orange ones need attention, and the red ones are experiencing problems

The screenshot shows the 'Installation list' section of the DCONNECT service. It features a grid of eight installation cards, each with a computer monitor icon and a status indicator. The status indicators are green checkmarks, indicating that all systems are OK. The installations listed are:

- Impianto di pressurizzazione via Cairoli Pisa (STATUS ✓)
- Condominio Cancelli Palala (STATUS ✓)
- Condominio Pero Livorno (STATUS ✓)
- Condominio Nicolai Firenze (STATUS ✓)
- Officine Arnoldi Pressurizzazione (STATUS ✓)
- Officine Arnoldi Riscaldamento (STATUS ✓)
- Officine Arnoldi Acqua Calda Sanitaria (STATUS ✓)
- Officine Arnoldi gruppi frigo (STATUS ✓)

### TAKE ANY NECESSARY ACTIONS AS IF YOU WERE RIGHT IN THE PUMP ROOM

Using the internet site or the APPs, you will be able to easily and quickly control your systems.

The screenshot shows the detailed control interface for an EVOPLUS SMALL pump. It includes a product image, technical specifications, and a real-time status dashboard. The status dashboard is organized into a grid of monitoring cards:

- SYSTEM ERROR STATUS:** System OK (indicated by a green checkmark icon).
- HEAD:** 1.2 m (indicated by a gear icon).
- PUMP STATUS:** Run (indicated by a power button icon).
- ESTIMATED FLOW:** 0.8 m<sup>3</sup>/h (indicated by a flow arrow icon).
- POWER:** 9 W (indicated by a power plug icon).
- RPM:** 1510 rpm (indicated by a speedometer icon).
- CURRENT:** 110 mA (indicated by a current meter icon).
- RUN TIME PUMP:** - h (indicated by a clock icon).
- BOARD TEMPERATURE:** - °C (indicated by a thermometer icon).
- LIQUID TEMPERATURE:** - °C (indicated by a thermometer icon).
- LIQUID TEMPERATURE 2:** - °C (indicated by a thermometer icon).
- HEATSINK TEMPERATURE:** - °C (indicated by a thermometer icon).
- LINE VOLTAGE:** 228 V (indicated by a power plug icon).

Additional information shown includes: NAME: EVOPLUS SMALL, PRODUCT DESCRIPTION: EVOPLUS SMALL, SERIAL: RRAYM, and Time elapsed from last received data less than 3m.

# DCONNECT SERVICE

## REMOTE CONTROL FOR ELECTRONIC RESIDENTIAL AND COMMERCIAL SYSTEMS

In order to use the Dconnect service, registration and connected products are required.

Connect to the website: <https://dconnect.dabpumps.com>, using Internet Browsers such as Microsoft Edge or Google Chrome.

The Android and iOS Dconnect APPs can be downloaded from the relevant Stores:



### REMOTE ALARMS

In case of alarm, the Dconnect service will promptly send you a notification, so that you can check what is happening and organise a visit to the system before the issue becomes an emergency for your customer.

### WHAT PRODUCTS CAN YOU MANAGE USING THE DCONNECT SERVICE?

MCE/P, MCE/C, ADAC, Active driver Plus, Ebox, Evoplus, Esybox, Esybox mini, Esybox Diver, Dtron 3.

### WHAT DO YOU NEED TO USE THE SERVICE?

1. DConnect Box
2. Cables for the connection of the DConnect Box / Dconnect Box 2 to the products to control
3. One or more compatible products
4. An internet connection in the system to control

For more information visit: [internetofpumps.com](http://internetofpumps.com)

# EVOPLUS SMALL / EVOPLUS SMALL SAN

WET ROTOR ELECTRONIC CIRCULATORS

## EVOPLUS CONSTRUCTION CHARACTERISTICS FOR SMALL COLLECTIVE SYSTEMS (ELECTRONIC DEVICE).

EVOPLUS circulators are controlled by a latest generation NPT technology IGBT device, for better efficiency and strength. The specific features are:

- Sensorless motor control
- Sine-wave PWM modulation
- High carrier frequency, to eliminate all audio band noise
- dedicated 32 bit processor
- Optimised "space vector" algorithm

An intuitive and functional user interface guarantees ease of calibration by all users. The easy to read OLED display on the control panel, 4 simple navigation keys, an in-line cascade menu featuring the latest mobile technology trends, and a wide range of functions, mean that EVOPLUS circulators are truly revolutionary products. A reliable and sturdy construction, together with a modern and innovative design, complete the product, also in terms of aesthetic value. This range is ready for the following remote commands through expansion modules:

### Base Module

- Economy mode
- Circulator start/stop
- Presence/absence of system alarms
- Pump in operation notification

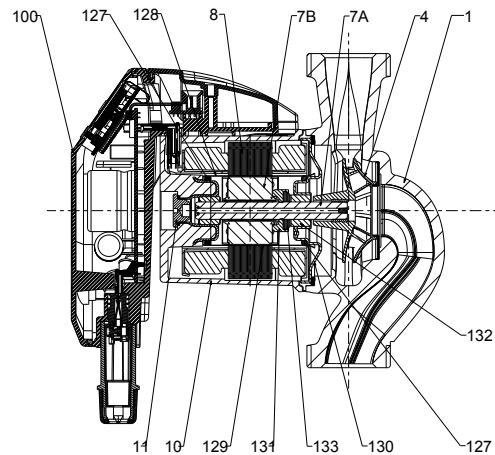
### Multifunction Module\*

- 2 x 0-10 V analogue signals
- 1 PWM signal
- 1  $\Delta T$  analogue signal from temperature sensor
- Connection to ModBus system management devices
- Optional LonBus with appropriate module
- Presence/absence of system alarms
- Pump in operation notification

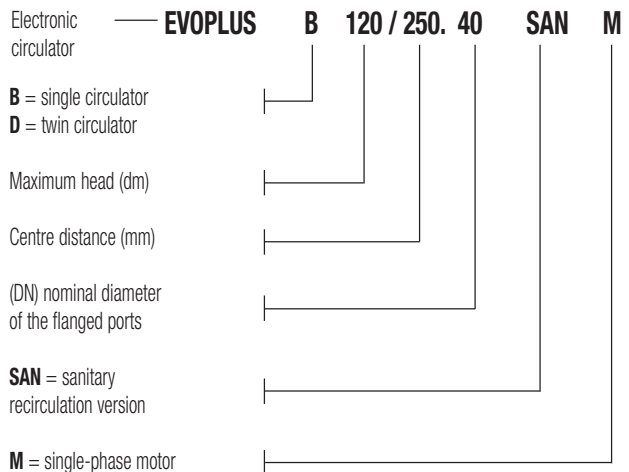
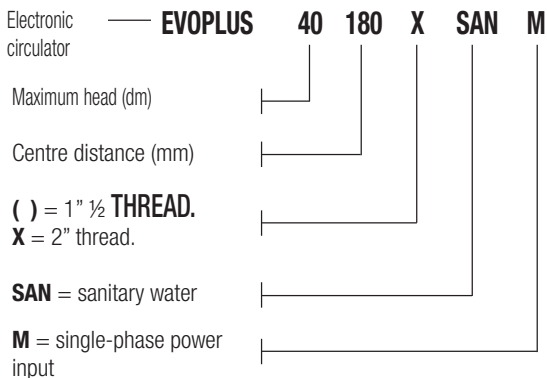
\* Inputs available only if the associated function is active

## MATERIALS

N.	PARTS	MATERIALS
1	PUMP BODY	CAST IRON 250 UNI ISO 185 - CTF BRONZE (for the SAN version)
4	IMPELLER	TECHNOPOLYMER
7A	MOTOR SHAFT	ALLUMINA
7B	ROTOR	STAINLESS STEEL LINER
8	STATOR	-
10	MOTOR CASING	DIE-CAST ALUMINIUM
127	SEAL RING	EPDM RUBBER
128	STATOR LINER	STAINLESS STEEL
130	CLOSING FLANGE	STAINLESS STEEL
131	THRUST RING SUPPORT	EPDM RUBBER
132	BUSHINGS	GRAPHITE



### - Legend: (example)





# EVOPLUS SMALL / EVOPLUS SMALL SAN

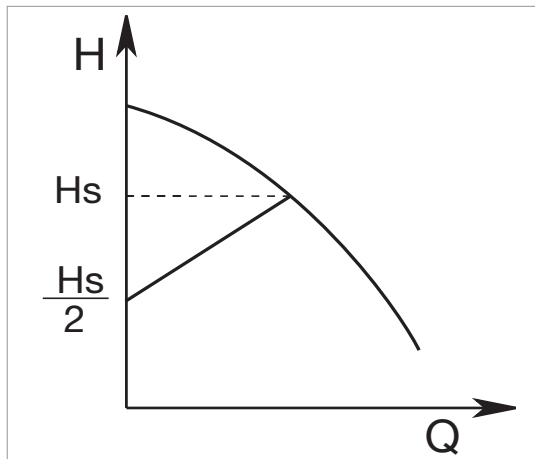
WET ROTOR ELECTRONIC CIRCULATORS

## MODES OF OPERATION

All the functions listed below can be consulted by the users (including less experienced ones) by simply scrolling through the menu. The calibration and the modification of the parameters are protected, and can only be completed by expert users. The factory settings of the EVOPLUS range are for proportional differential pressure control mode in the curve that ensures the best energy efficiency index (EEI).

### 1 - $\Delta P-v$ proportional differential pressure adjustment mode

With  $\Delta P-v$  adjustment mode, with the variation of the flow rate, the value of the delivery of the head also varies in a linear manner, from  $H_{setp}$  to  $H_{setp}/2$ .



This adjustment is particularly indicated for the following systems:

#### a. Two-pipe heating systems with thermostat valves and with:

- head greater than 4 metres;
- very long circuit piping;
- valves with wide operating range;
- differential pressure regulators;
- high pressure drops in those parts of the system carrying the entirety of the water flow rate;
- low differential pressure.

#### b. Under-floor central heating systems with thermostatic valves and significant pressure drops in the boiler circuit.

#### c. Systems with primary circuit pumps with high pressure drops.

### Example of set-up of the set-point with $\Delta P-v$

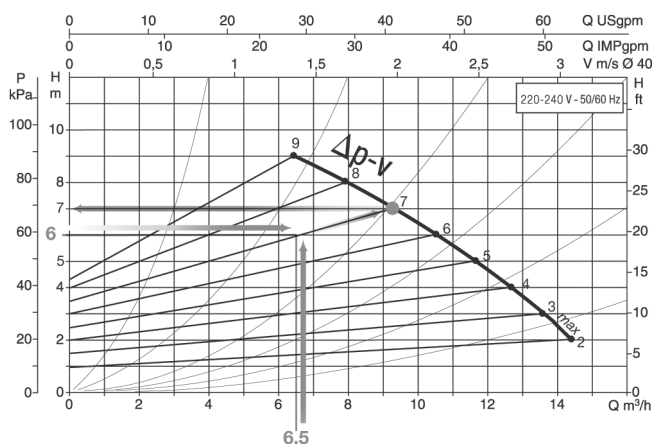
The following operating point is required:

$$Q = 6,5 \text{ m}^3/\text{h}$$

$$H = 6 \text{ m}$$

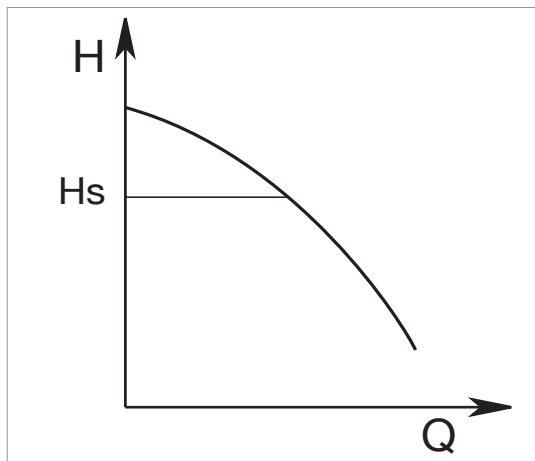
#### PROCEDURE:

1. In the graph, find the desired operating point, and then find the EVOPLUS curve closest to it (in this case the point lies precisely on the curve)
2. Follow the curve upwards until reaching the intersection with the limit curve of the circulator.
3. The head reading found at this limit point is the set-point head that must be entered to obtain the desired operating point.



### 2 - $\Delta P-c$ constant differential pressure adjustment mode

The  $\Delta P-c$  adjustment mode keeps the differential pressure of the system constantly at the  $H_{setp}$  value set, even in case of variation of the flow rate.



This adjustment is particularly indicated for the following systems:

#### a. Two-pipe heating systems with thermostat valves and with:

- head lower than 2 metres;
- natural circulation;
- low pressure drops in those parts of the system carrying the entirety of the water flow rate;
- high differential temperature (central heating).

#### b. underfloor heating systems with thermostat valves

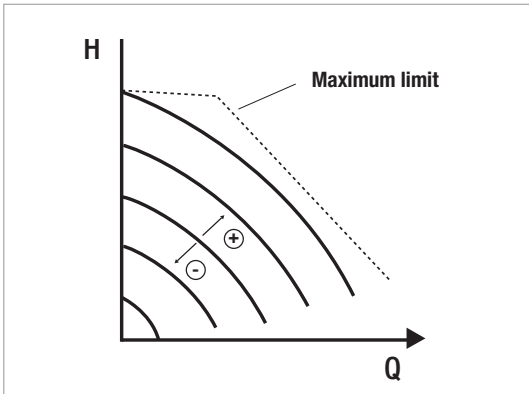
#### c. single-pipe heating systems with thermostat valves and calibration valves

#### d. Systems with primary circuit pumps with low pressure drops.

# EVOPLUS SMALL / EVOPLUS SMALL SAN

WET ROTOR ELECTRONIC CIRCULATORS

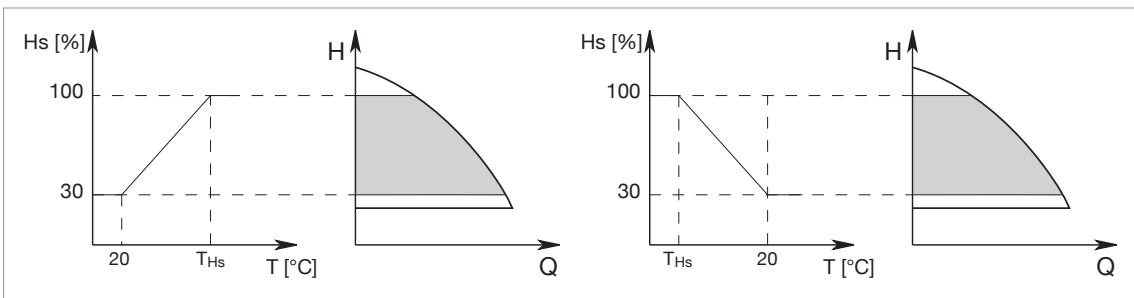
## 3 - Constant curve adjustment modes



In this control mode, the circulator works based on constant speed characteristic curves. The operation curve is selected by setting the rotation speed using a percentage factor. The 100 % value indicates the maximum limit curve. The actual rotation speed may be affected by the power and differential pressure limitations of the actual circulator model. The rotation speed may be set using the display, or either a 0-10 V or PWM external signal, using the appropriate multifunction module.

Control mode indicated for constant flow rate heating and air conditioning systems.

## 4 - Constant differential pressure control mode with proportional control based on the water temperature (Function available with multifunction module)

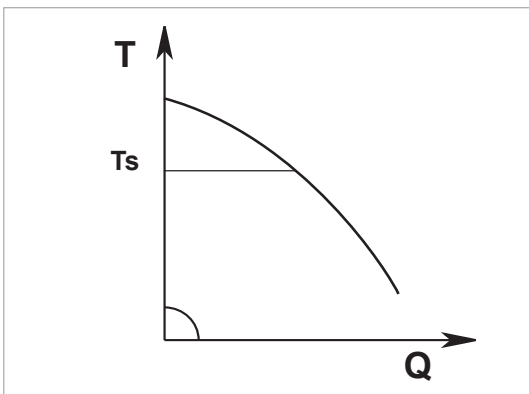


The circulator head set-point is reduced in accordance with the water temperature. The liquid temperature can be set between 0 °C to 100 °C.

This adjustment is particularly indicated for the following systems:

- in variable flow rate systems (two-pipe central heating systems), in which a further reduction of circulator performance is provided in line with the lowering of the temperature of the circulating liquid, in case of reduced heating demand.
- in constant flow rate systems (single-pipe and under-floor central heating systems), where the performance of the circulator can only be adjusted by activating the temperature influence function. It is set through the EVOPLUS control panel.

## 5 - $\Delta T$ -c constant differential pressure control mode (Function available with multifunction mode) \*



The  $\Delta T$ -c control mode keeps the pumped liquid at constant temperature, changing the flow rate to the Tsetp settable value.

This adjustment is particularly indicated for the following systems:

- Under-floor heating systems.
- systems with primary circuit pumps.
- Systems with circuit pumps with heat exchanger.
- Solar energy systems with storage tanks.
- Solar panel swimming pool heating systems.

\* Adjustment during implementation.

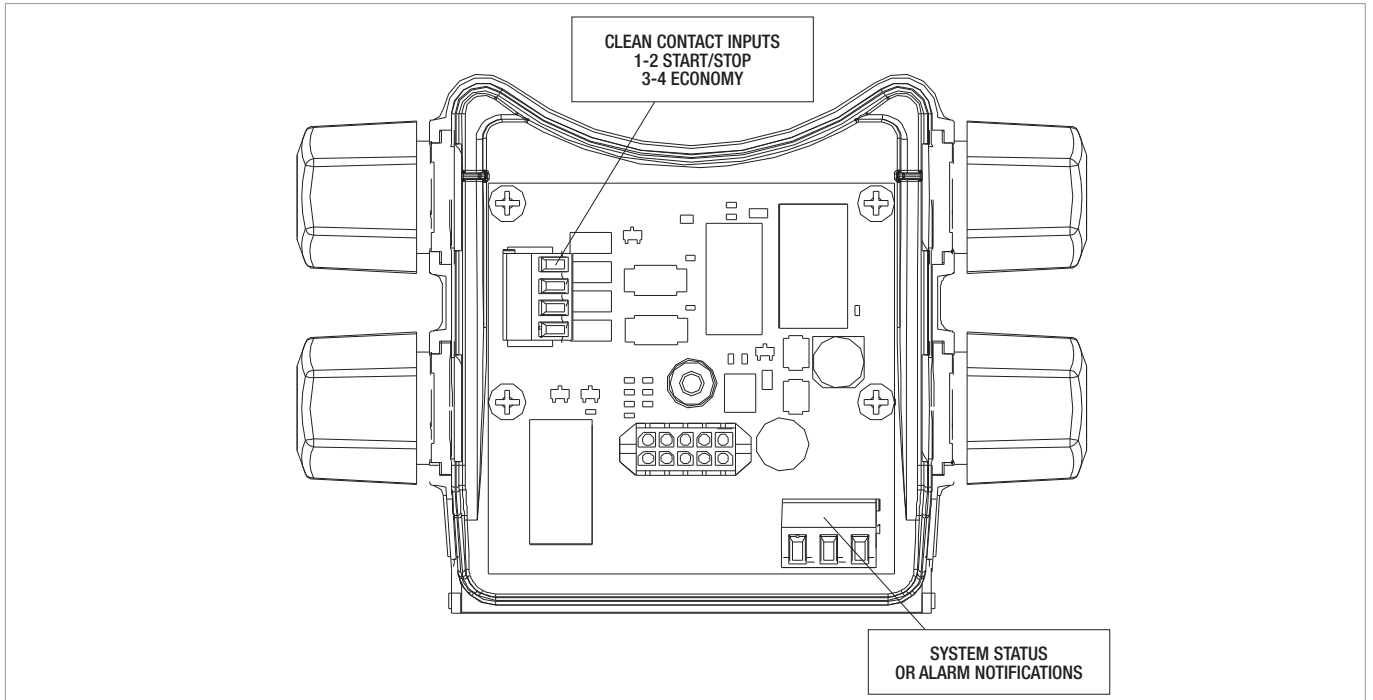
## ECONOMY MODE

The economy function can be set directly on the control panel, by setting a reduction value (f.rid), the maximum value of which can be 50%. In all the previously listed settings, the Hset value must be replaced with an Hset x f.rid.

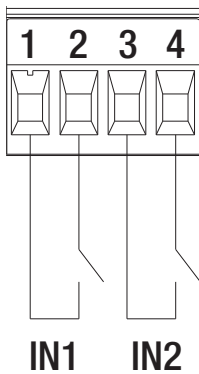
# EVOPLUS SMALL / EVOPLUS SMALL SAN

WET ROTOR ELECTRONIC CIRCULATORS

## BASE MODULE



### Digital inputs



Clean contact inputs  
1-2 START/STOP  
3-4 ECONOMY

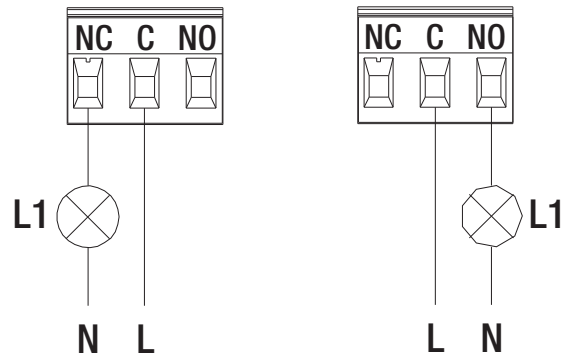
Input	Terminal no.	Type of contact	Associated function
IN1	1	Clean contact	<b>EXT:</b> If it is activated from the control panel, it will be possible to remotely control the switching on and off of the pump.
	2		
IN2	3	Clean contact	<b>Economy:</b> If it is activated from the control panel, it will be possible to remotely activate the set-point reduction function.
	4		

If the **EXT** and **Economy** functions have been activated using the control panel, the system will behave as follows:

IN1	IN2	System status
Open	Open	Pump stopped
Open	Close	Pump stopped
Close	Open	Pump in operation with set-point set by the user
Close	Close	Pump in operation with reduced set-point

### Digital outputs

System status or alarm notifications



The function associated to OUT1 is "Alarms Present"; L1 turns on when a system alarm is present, and turns off when no fault is detected.

The function associated with OUT1 is "Pump Status"; L1 turns on when the pump is in operation, and stops when the pump is idle.

Output	Terminal no.	Type of contact	Associated function
OUT1	NC	NC	<ul style="list-style-type: none"> <li>• Presence/absence of system alarms</li> <li>• Pump in operation/Pump stopped</li> </ul>
	C	COM	
	NO	NO	

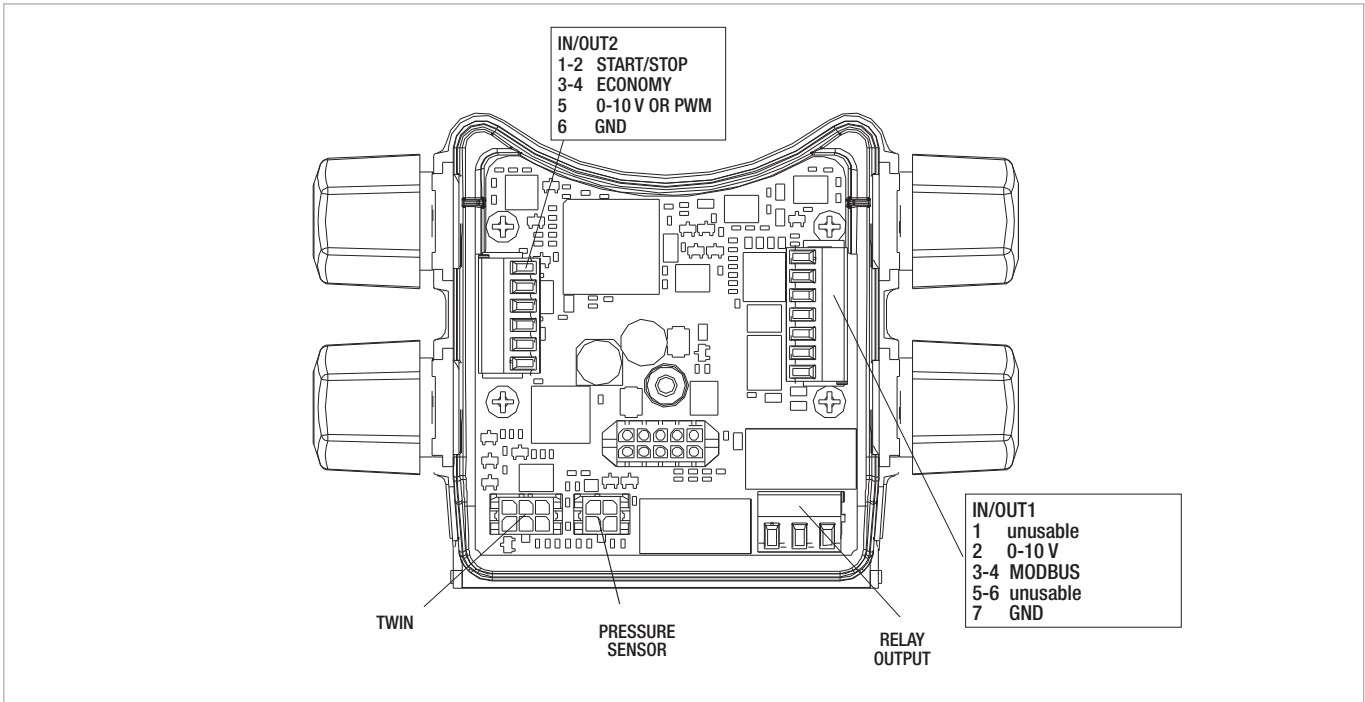
The OUT1 output is available on the 3-pole removable terminal box, where the type of contact is also shown (NC = Normally Closed, COM = Common, NO = Normally Open).

Characteristics of the output contacts	
Max sustainable voltage [V]	250
Max sustainable current [A]	5 - If resistive load 2,5 - If inductive load
Max cable section accepted [mm <sup>2</sup> ]	1,5

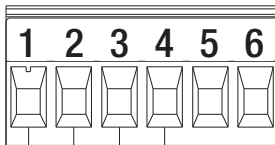
# EVOPLUS SMALL / EVOPLUS SMALL SAN

WET ROTOR ELECTRONIC CIRCULATORS

## MULTIFUNCTION MODULE



### Digital inputs



**IN/OUT2**  
 1-2 START/STOP  
 3-4 ECONOMY  
 5 0-10V, PWM and NTC  
 6 GND

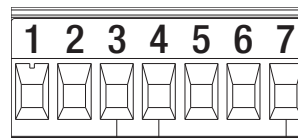
IN1 IN2

Input	Terminal no.	Type of contact	Associated function
IN1	1	Clean contact	<b>EXT:</b> If it is activated from the control panel, it will be possible to remotely control the switching on and off of the pump.
	2		
IN2	3	Clean contact	<b>Economy:</b> If it is activated from the control panel, it will be possible to remotely activate the set-point reduction function.
	4		

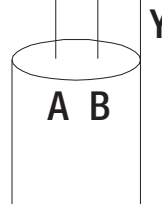
If the **EXT** and **Economy** functions have been activated using the control panel, the system will behave as follows:

IN1	IN2	System status
Open	Open	Pump stopped
Open	Close	Pump stopped
Close	Open	Pump in operation with set-point set by the user
Close	Close	Pump in operation with reduced set-point

### MODBUS



**IN/OUT1**  
 1 unusable  
 2 0-10 V  
 3-4 modbus  
 5-6 unusable  
 7 GND

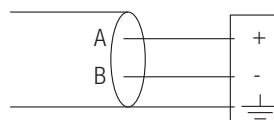


The multifunction expansion module provides serial communication through an RS-485 input. The communication is established in accordance with the MODBUS specifications.

Using the MODBUS, it is possible to remotely set the circulator operating parameters, like the desired differential pressure, the control mode, etc. At the same time, the circulator can provide important information on the status of the system.

Modbus terminals	Terminal no.	Description
A	3	Terminal not inverted (+)
B	4	Terminal inverted (+)
Y	7	GND

### LONBUS



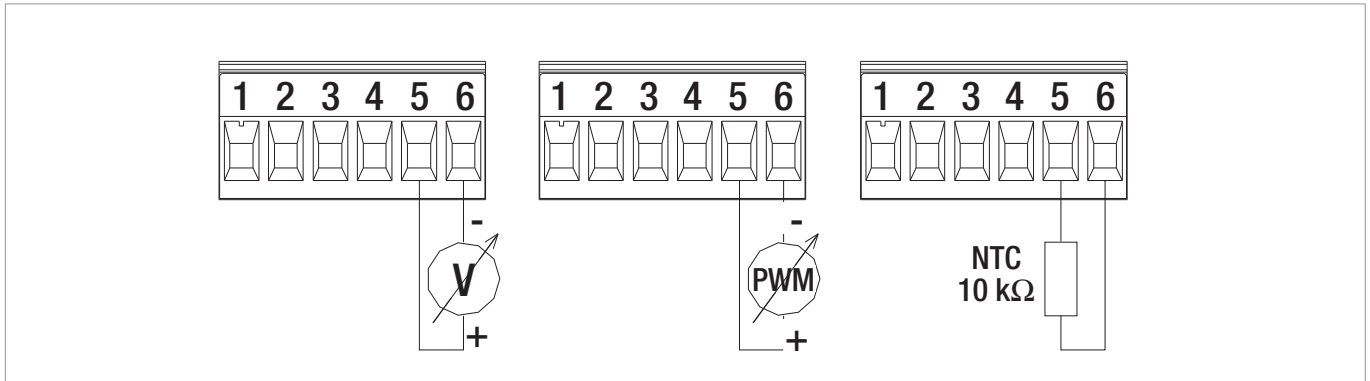
Gateway/ Evoplus connection

Using some modules available on the market, the circulator, and therefore its status, can also be made available to a LonWorks network. It will then be possible to change the parameters of the circulator by reading and amending the registers as indicated in the "Modbus Protocol instruction manual", available at the following address: "<http://www.dabpumps.it/evoplus>".

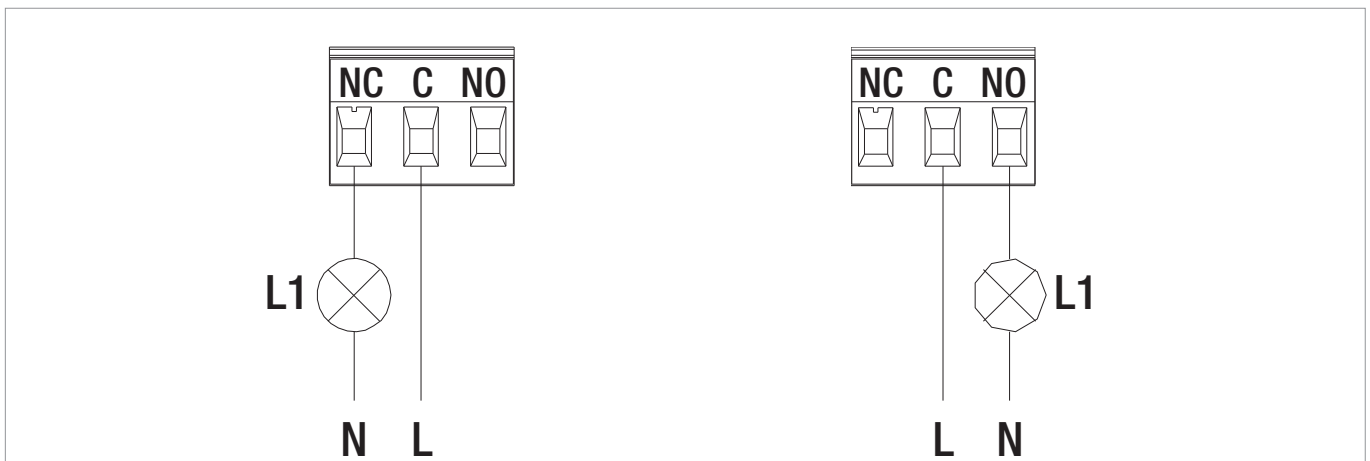
# EVOPLUS SMALL / EVOPLUS SMALL SAN

WET ROTOR ELECTRONIC CIRCULATORS

## PWM AND NTC ANALOGUE INPUT



## DIGITAL OUTPUTS



The function associated with OUT1 is "Pump Status"; L1 turns on when the pump is in operation, and stops when the pump is idle.

The function associated to OUT1 is "Alarms Present"; L1 turns on when a system alarm is present, and turns off when no fault is detected.

Output	Terminal no.	Type of contact	Associated function
OUT1	NC	NC	<ul style="list-style-type: none"> <li>• Presence/absence of system alarms</li> <li>• Pump in operation/Pump stopped</li> </ul>
	C	COM	
	NO	NO	

The OUT1 output is available on the 3-pole removable terminal box, where the type of contact is also shown (NC = Normally Closed, COM = Common, NO = Normally Open).

Characteristics of the output contacts	
Max sustainable voltage [V]	250
Max sustainable current [A]	5 - If resistive load 2,5 - If inductive load
Max cable section accepted [mm <sup>2</sup> ]	1,5

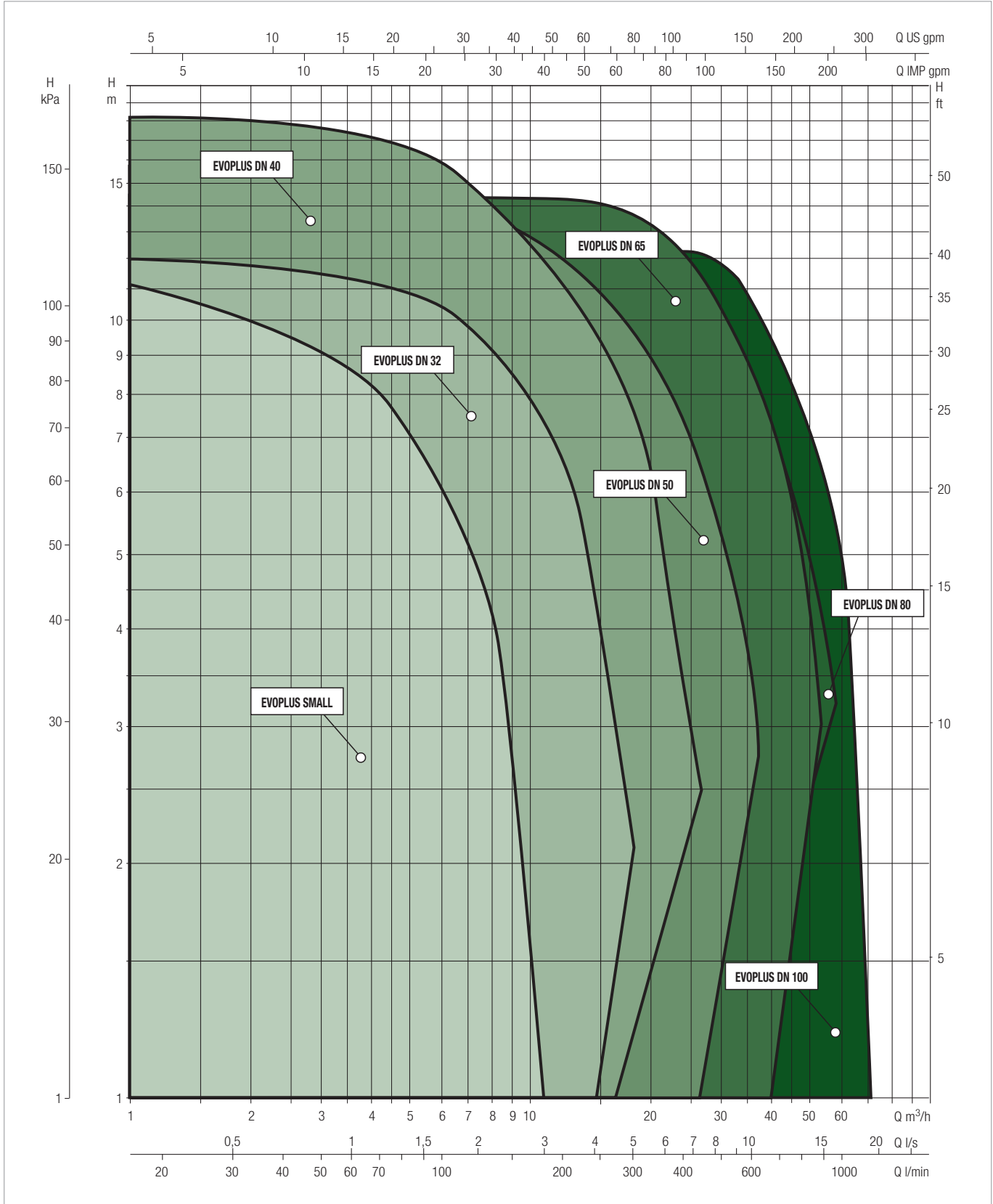
# EVOPLUS RANGE

## WET ROTOR ELECTRONIC CIRCULATORS

### PERFORMANCE RANGE

The performance curves are based on kinematic viscosity values = 1 mm<sup>2</sup>/s and density equal to 1000 kg/m<sup>3</sup>. Curve tolerance according to ISO 9906.

### GRAPHIC SELECTION TABLE





# EVOPLUS SMALL / EVOPLUS SMALL SAN

WET ROTOR ELECTRONIC CIRCULATORS

## SELECTION TABLE - EVOPLUS SMALL

MODEL	Q=m <sup>3</sup> h	0	2,4	3	4,2	5,4	7,2	9,6
	Q=l/min	0	40	50	70	90	120	160
EVOPLUS 40/180 M	H (m)	4,2	4,2	4	3,1	2,4		
EVOPLUS 60/180 M		6,1	6,1	5,8	4,6	3,4		
EVOPLUS 80/180 M		8,2	8,2	7,7	6,2	4,8	2,9	
EVOPLUS 110/180 M		11,1	10,1	9,2	7,5	5,9	3,9	
EVOPLUS 40/180 XM		4,1	4,1	4	3,1	2,2		
EVOPLUS 60/180 XM		6,1	6,1	5,7	4,5	3,4		
EVOPLUS 80/180 XM		8,1	8,1	7,6	6,2	4,9	3	
EVOPLUS 110/180 XM		11,3	10,2	9,5	7,9	6,3	4,3	2
EVOPLUS B 40/220.32 M		4,2	4,2	4,2	3,3	2,5	1,3	
EVOPLUS B 60/220.32 M		6,1	6,1	5,6	4,6	3,6	2,2	
EVOPLUS B 80/220.32 M		8	8	7,3	6	4,9	3,3	
EVOPLUS B 110/220.32 M		11,2	10,5	9,6	8,1	6,8	5	2,6
EVOPLUS B 40/250.40 M		4,2	4,2	4,2	3,3	2,5	1,3	
EVOPLUS B 60/250.40 M		6,1	6,1	5,6	4,6	3,6	2,2	
EVOPLUS B 80/250.40 M		8	8	7,3	6	4,9	3,3	
EVOPLUS B 110/250.40 M		11,2	10,5	9,6	8,1	6,8	5	2,6
EVOPLUS D 40/220.32 M		4,2	4,2	4,2	3,3	2,5	1,3	
EVOPLUS D 60/220.32 M		6,1	6,1	5,6	4,6	3,6	2,2	
EVOPLUS D 80/220.32 M		8	8	7,3	6	4,9	3,3	
EVOPLUS D 110/220.32 M		11,2	10,5	9,6	8,1	6,8	5	2,6
EVOPLUS D 40/250.40 M		4,2	4,2	4,2	3,3	2,5	1,3	
EVOPLUS D 60/250.40 M		6,1	6,1	5,6	4,6	3,6	2,2	
EVOPLUS D 80/250.40 M		8	8	7,3	6	4,9	3,3	
EVOPLUS D 110/250.40 M		11,2	10,5	9,6	8,1	6,8	5	2,6

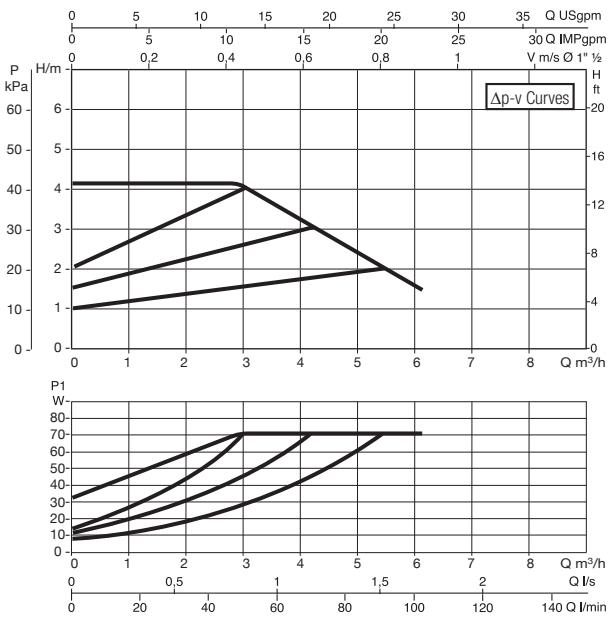
## SELECTION TABLE - EVOPLUS SMALL SAN

MODEL	Q=m <sup>3</sup> h	0	2,4	3	4,2	5,4	7,2	9,6
	Q=l/min	0	40	50	70	90	120	160
EVOPLUS 40/180 SAN M	H (m)	4,2	4,2	4	3,1	2,4		
EVOPLUS 60/180 SAN M		6,1	6,1	5,8	4,6	3,4		
EVOPLUS 80/180 SAN M		8,2	8,2	7,7	6,2	4,8	2,9	
EVOPLUS 110/180 SAN M		11,1	10,1	9,2	7,5	5,9	3,9	
EVOPLUS B 40/220.32 SAN M		4,2	4,2	4,2	3,3	2,5	1,3	
EVOPLUS B 60/220.32 SAN M		6,1	6,1	5,6	4,6	3,6	2,2	
EVOPLUS B 80/220.32 SAN M		8	8	7,3	6	4,9	3,3	
EVOPLUS B 110/220.32 SAN M		11,2	10,5	9,6	8,1	6,8	5	2,6
EVOPLUS B 40/250.40 SAN M		4,2	4,2	4,2	3,3	2,5	1,3	
EVOPLUS B 60/250.40 SAN M		6,1	6,1	5,6	4,6	3,6	2,2	
EVOPLUS B 80/250.40 SAN M		8	8	7,3	6	4,9	3,3	
EVOPLUS B 110/250.40 SAN M		11,2	10,5	9,6	8,1	6,8	5	2,6

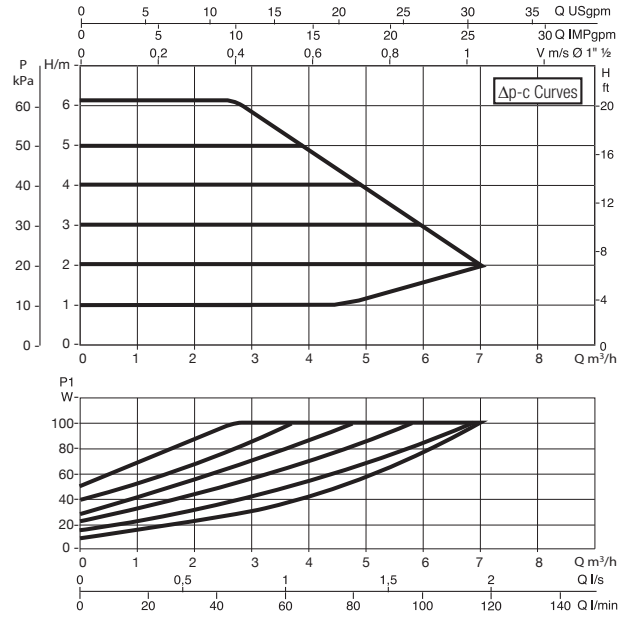
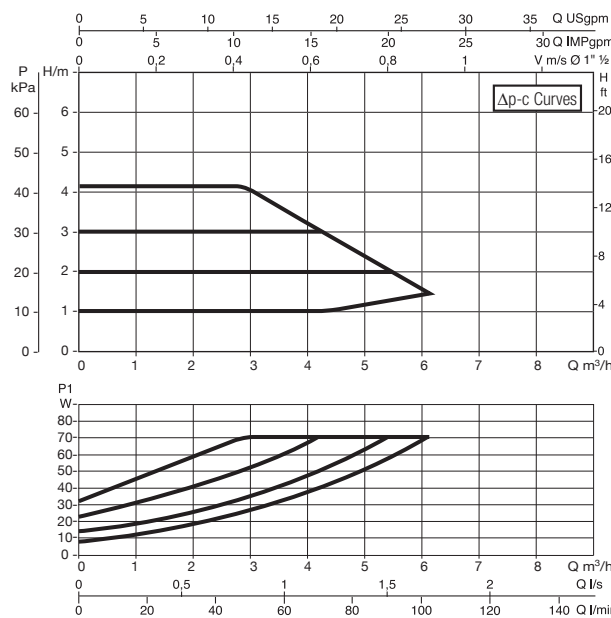
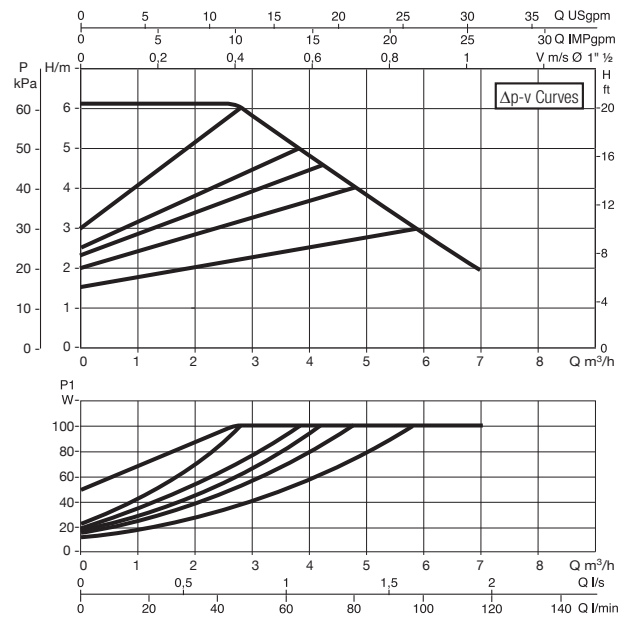
# EVOPLUS SMALL - WET ROTOR ELECTRONIC CIRCULATORS

Pumped liquid temperature range: from -10 °C to +110 °C - Maximum operating pressure: 16 bar (1600 kPa)

EVOPLUS 40/180 M



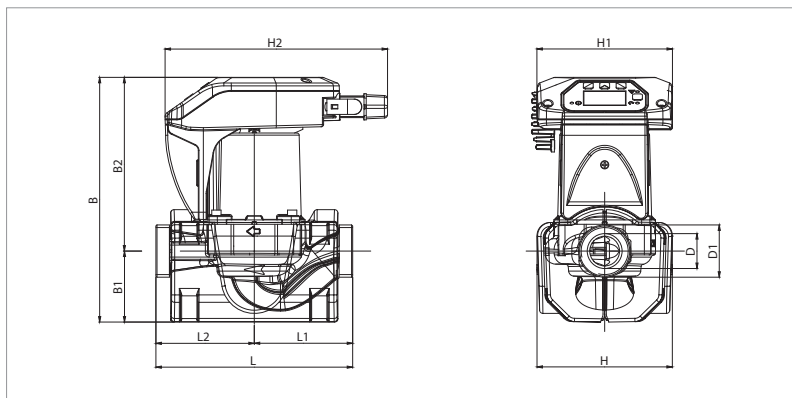
EVOPLUS 60/180 M



The curves are based on kinematic viscosity values = 1 mm<sup>2</sup>/s and density equal to 1000 kg/m<sup>3</sup>. Curve tolerance according to ISO 9906. Fixed speed curves available on the DNA.

MODEL	CENTRE DISTANCE mm	UNIONS ON REQUEST		COUNTERFLANGES ON REQUEST	POWER INPUT 50/60 Hz	P1 MAX W	In A	EEI*	MINIMUM SUCTION PRESSURE			WEIGHT Kg
		STANDARDISED	SPECIAL						t°	90°	100°	
EVOPLUS 40/180 M	180	1" F	¾" F - 1¼" M	-	220/240 V	68	0,52	EEI ≤ 0,20	m.c.w.	20	25	4,5
EVOPLUS 60/180 M	180	1" F	¾" F - 1¼" M	-	220/240 V	100	0,72	EEI ≤ 0,20	m.c.w.	20	25	4,5

The parameter of reference for the more efficient circulators is EEI ≤ 0,20.



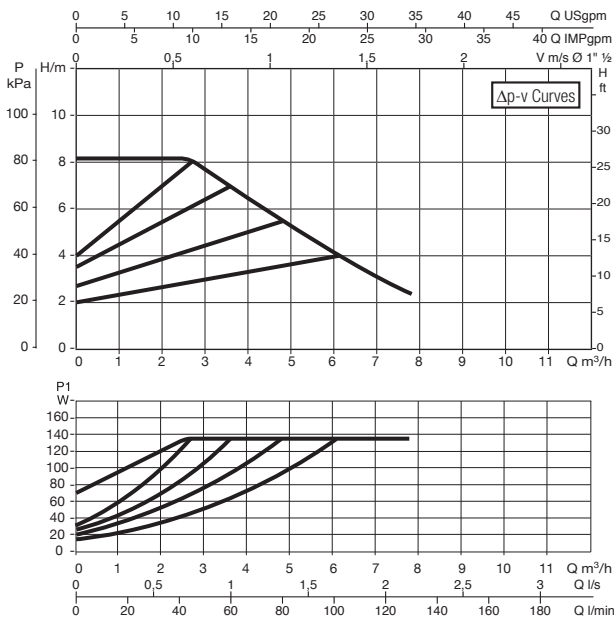
L	L1	L2	B	B1	B2
180	90	90	224	65	159

D	D1	H	H1	H2
32	1½	124	124	204

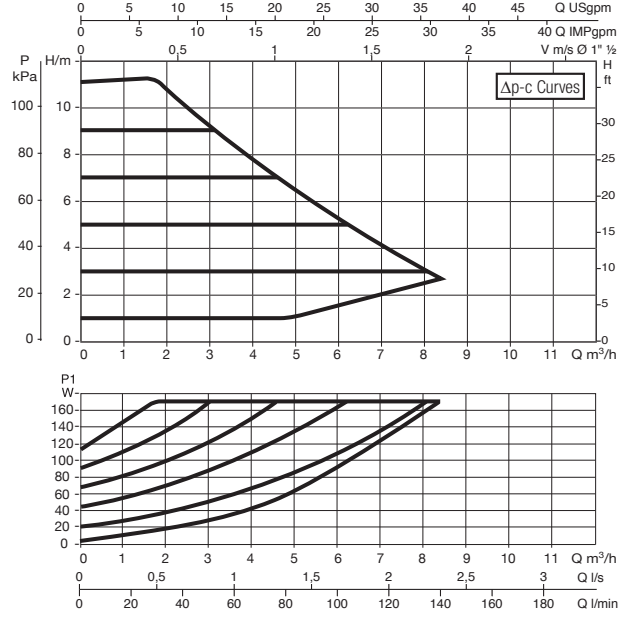
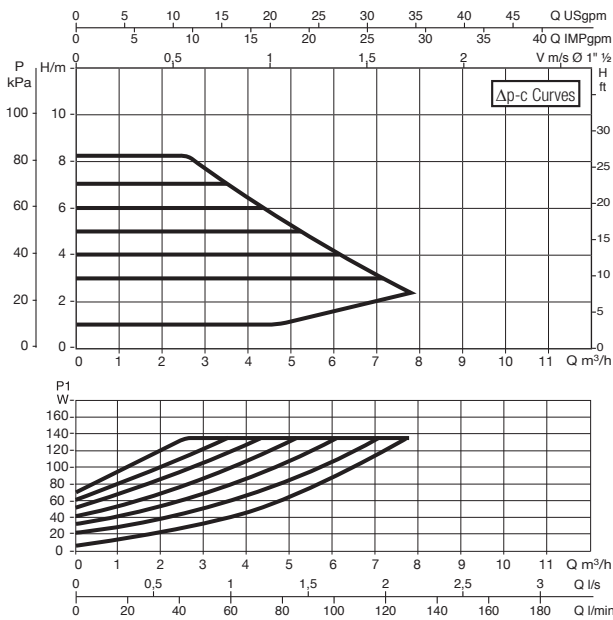
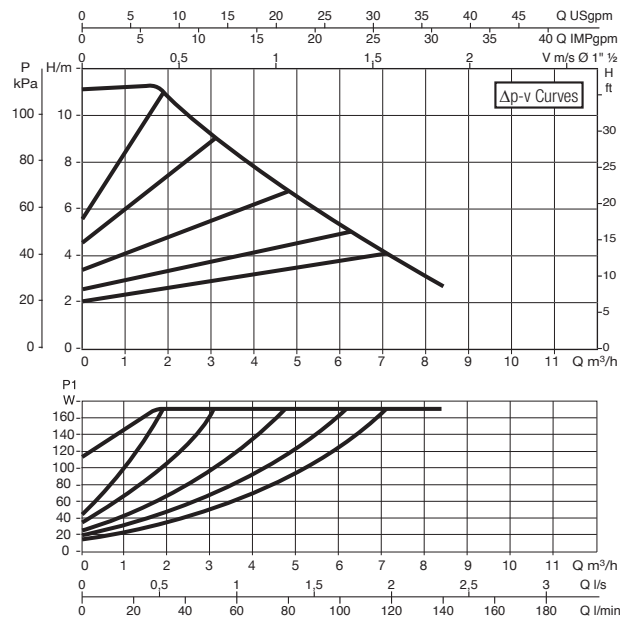
# EVOPLUS SMALL - WET ROTOR ELECTRONIC CIRCULATORS

Pumped liquid temperature range: from -10 °C to +110 °C - Maximum operating pressure: 16 bar (1600 kPa)

EVOPLUS 80/180 M



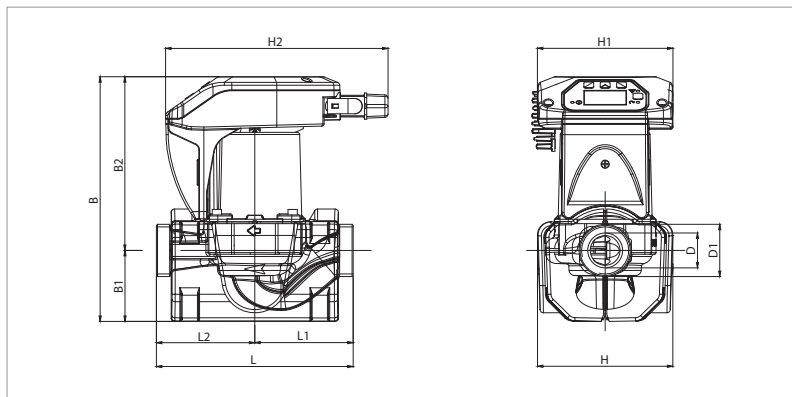
EVOPLUS 110/180 M



The curves are based on kinematic viscosity values = 1 mm<sup>2</sup>/s and density equal to 1000 kg/m<sup>3</sup>. Curve tolerance according to ISO 9906. Fixed speed curves available on the DNA.

MODEL	CENTRE DISTANCE mm	UNIONS ON REQUEST		COUNTERFLANGES ON REQUEST	POWER INPUT 50/60 Hz	P1 MAX W	I <sub>n</sub> A	EEI*	MINIMU SUCTION PRESSURE			WEIGHT Kg
		STANDARDIZED	SPECIAL						t°	90°	100°	
EVOPLUS 80/180 M	180	1" F	¾" F - 1¼" M	-	220/240 V	130	0,95	EEI ≤ 0,20	m.c.w.	20	25	4,5
EVOPLUS 110/180 M	180	1" F	¾" F - 1¼" M	-	220/240 V	170	1,18	EEI ≤ 0,20	m.c.w.	20	25	4,5

The parameter of reference for the more efficient circulators is EEI ≤ 0,20.

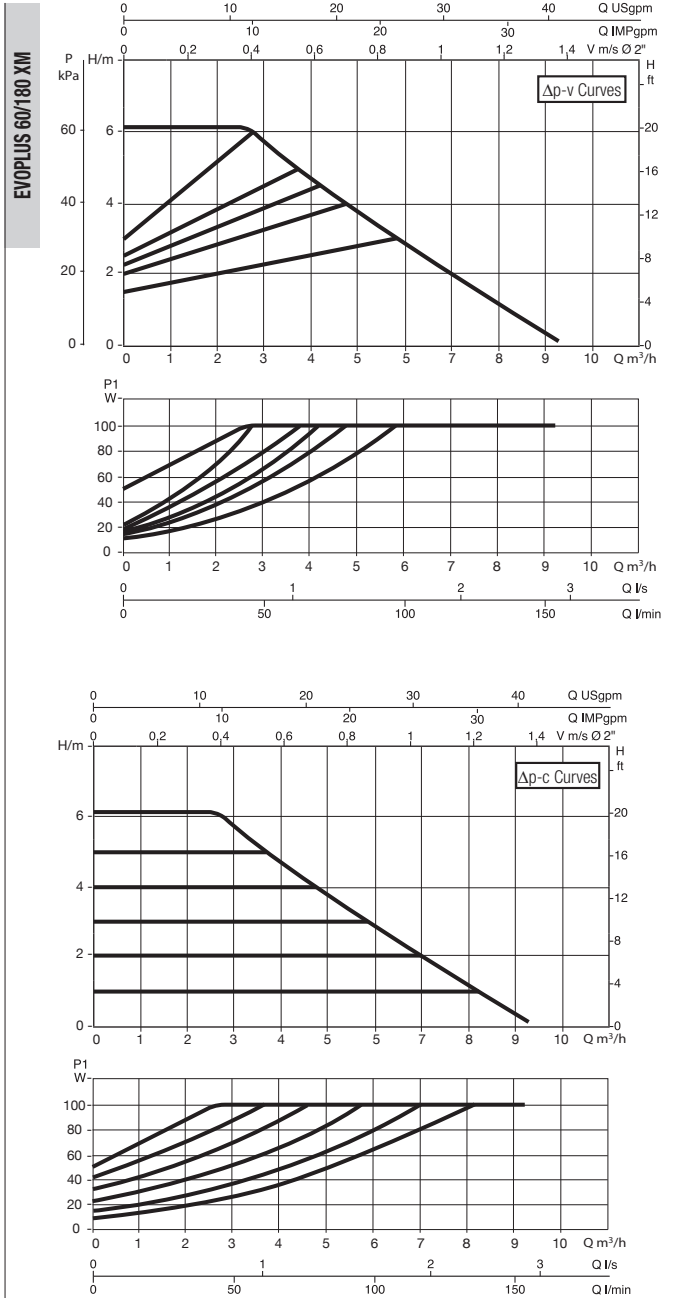
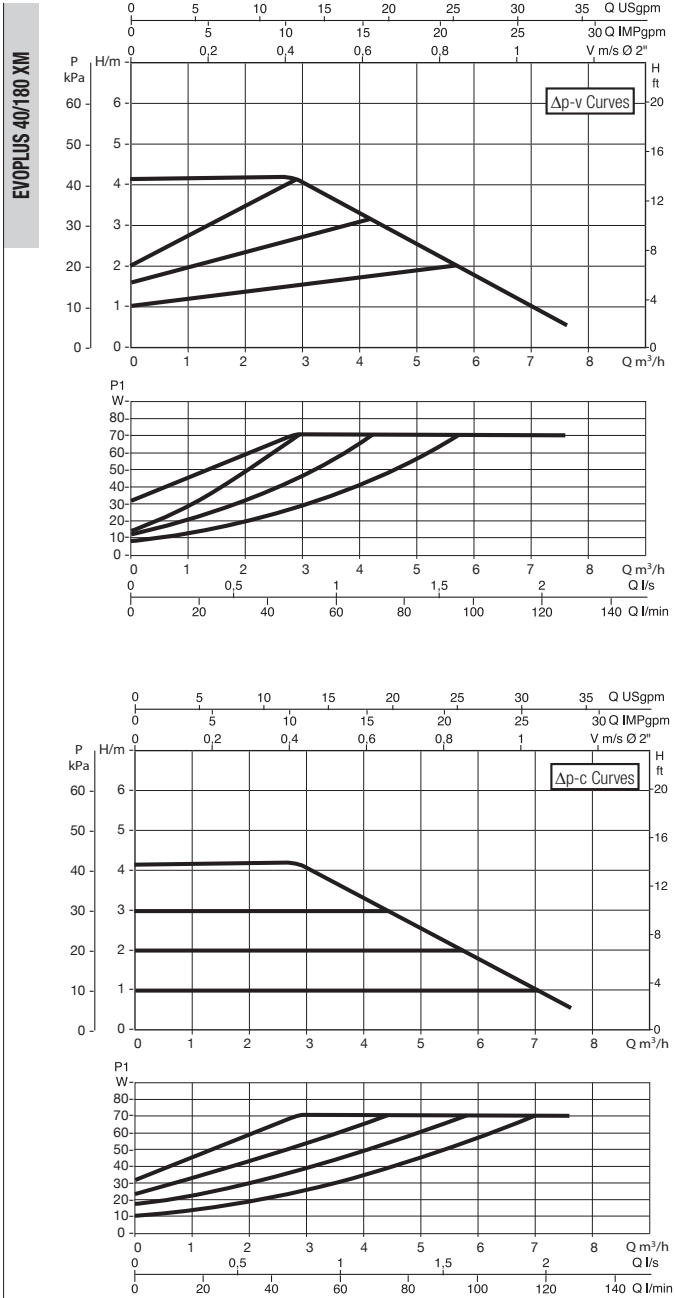


L	L1	L2	B	B1	B2
180	90	90	224	65	159

D	D1	H	H1	H2
32	1½"	124	124	204

# EVOPLUS SMALL - WET ROTOR ELECTRONIC CIRCULATORS

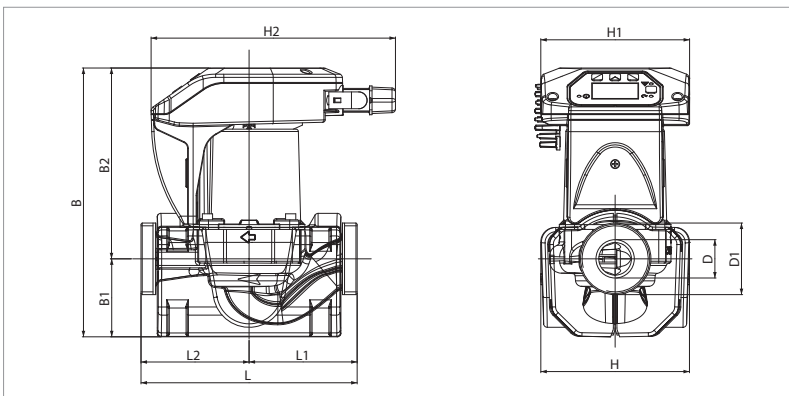
Pumped liquid temperature range: from -10 °C to +110 °C - Maximum operating pressure: 16 bar (1600 kPa)



The curves are based on kinematic viscosity values = 1 mm<sup>2</sup>/s and density equal to 1000 kg/m<sup>3</sup>. Curve tolerance according to ISO 9906. Fixed speed curves available on the DNA.

MODEL	CENTRE DISTANCE mm	UNIONS ON REQUEST		COUNTERFLANGES ON REQUEST	INPUT POWER 50/60 Hz	P1 MAX W	In A	EEI*	MINIMUM SUCTION PRESSURE			WEIGHT Kg
		STANDARDISED	SPECIAL						t°	90°	100°	
EVOPLUS 40/180 XM	180	1¼" F	-	-	220/240 V	68	0,51	EEI ≤ 0,20	m.c.w.	20	25	4,7
EVOPLUS 60/180 XM	180	1¼" F	-	-	220/240 V	100	0,71	EEI ≤ 0,20	m.c.w.	20	25	4,7

The parameter of reference for the more efficient circulators is EEI ≤ 0,20.

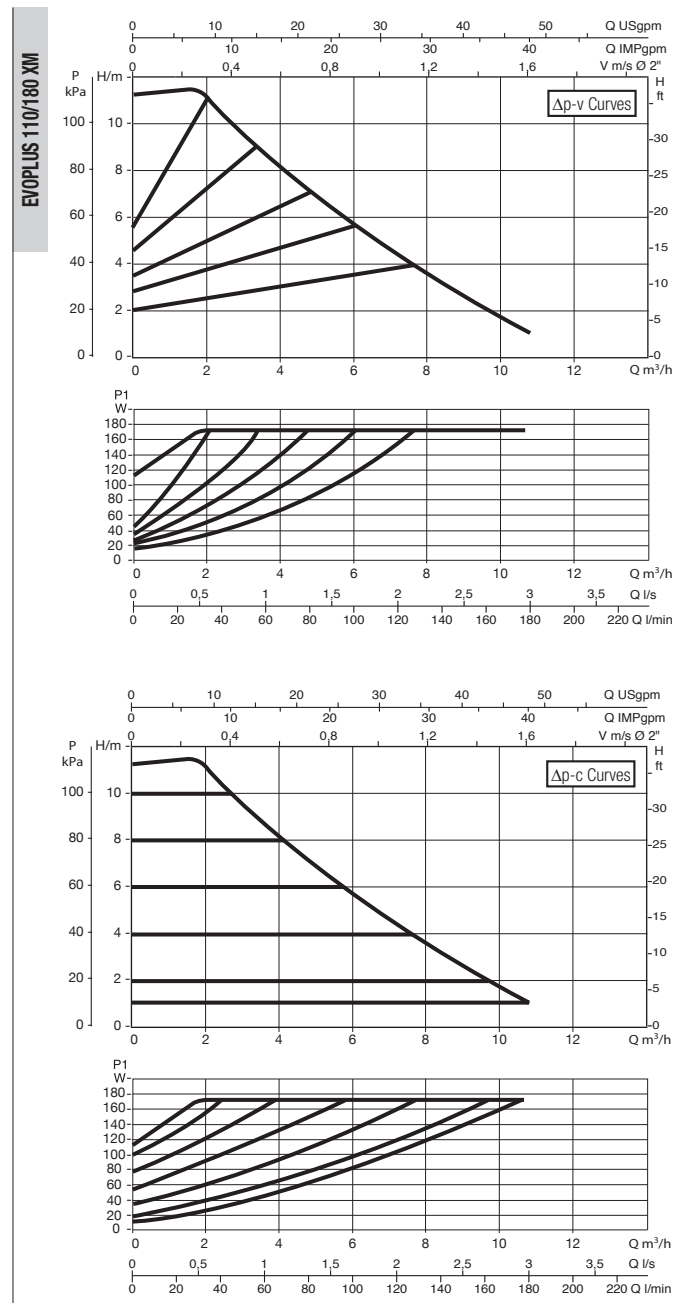
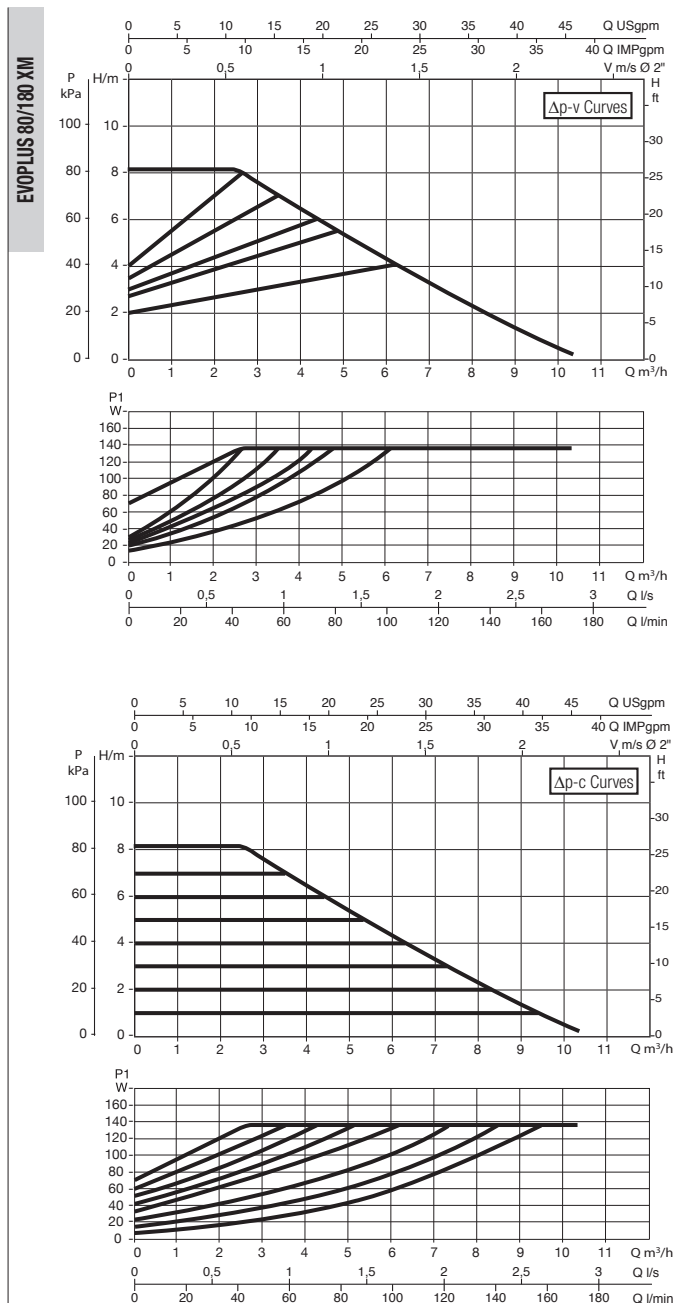


L	L1	L2	B	B1	B2
180	90	90	224	65	159

D	D1	H	H1	H2
32	2"	124	124	204

# EVOPLUS SMALL - WET ROTOR ELECTRONIC CIRCULATORS

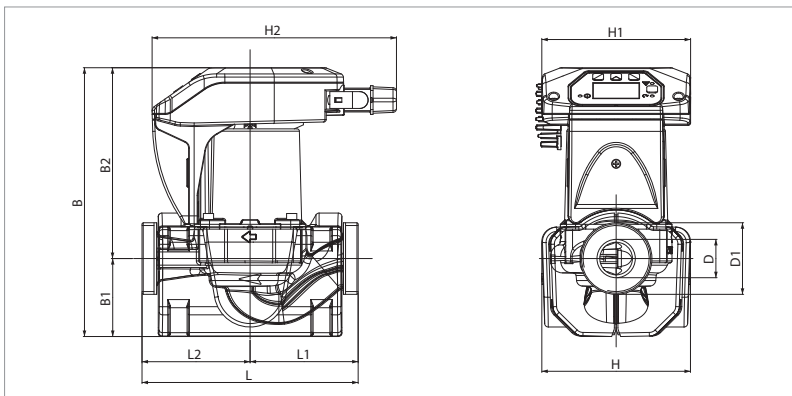
Pumped liquid temperature range: from -10 °C to +110 °C - Maximum operating pressure: 16 bar (1600 kPa)



The curves are based on kinematic viscosity values = 1 mm²/s and density equal to 1000 kg/m³. Curve tolerance according to ISO 9906. Fixed speed curves available on the DNA.

MODEL	CENTRE DISTANCE mm	UNIONS ON REQUEST		COUNTERFLANGES ON REQUEST	POWER INPUT 50/60 Hz	P1 MAX W	In A	EEI*	MINIMUM SUCTION PRESSURE			WEIGHT Kg
		STANDARDISED	SPECIAL						t°	90°	100°	
EVOPLUS 80/180 XM	180	1¼" F	-	-	220/240 V	130	0,93	EEI ≤ 0,20	m.c.w.	20	25	4,7
EVOPLUS 110/180 XM	180	1¼" F	-	-	220/240 V	170	1,18	EEI ≤ 0,20	m.c.w.	20	25	4,7

The parameter of reference for the more efficient circulators is EEI ≤ 0,20.



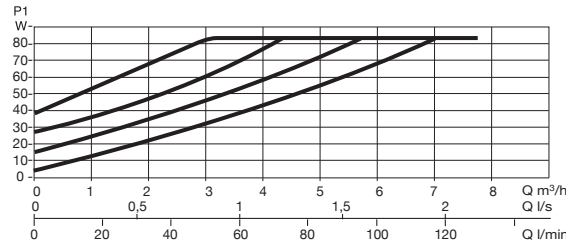
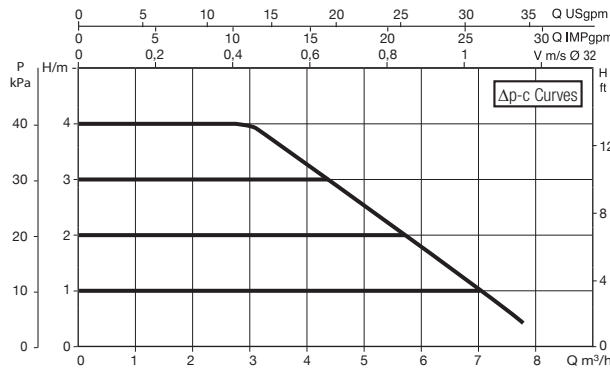
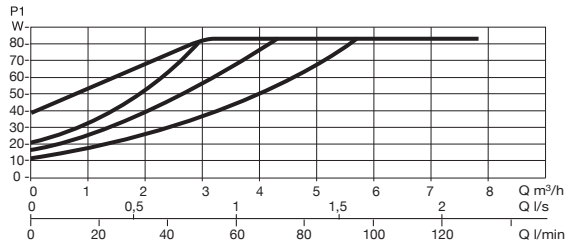
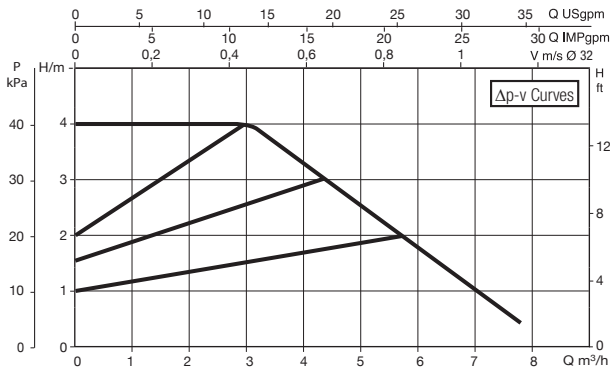
L	L1	L2	B	B1	B2
180	90	90	224	65	159

D	D1	H	H1	H2
32	2"	124	124	204

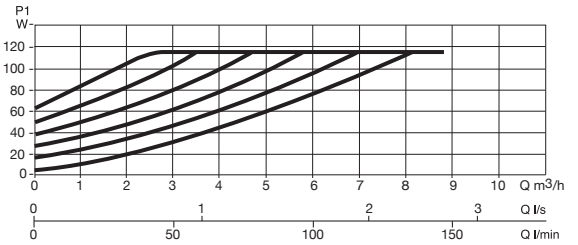
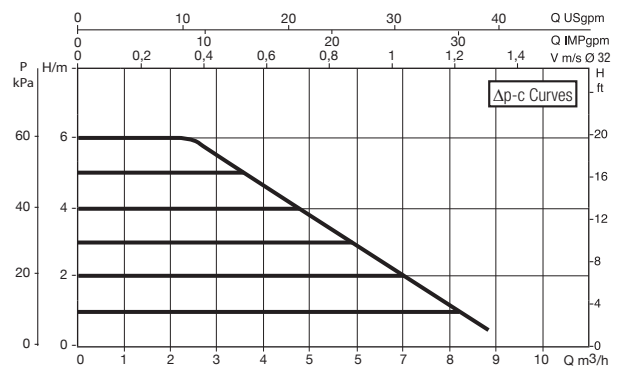
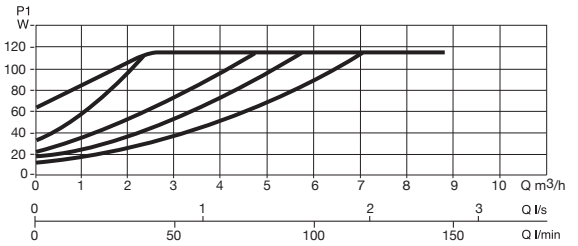
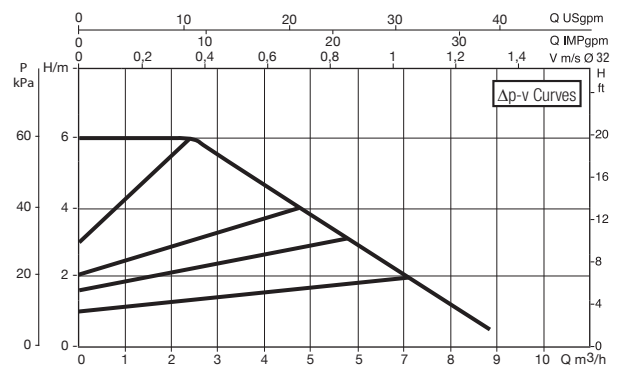
# EVOPLUS SMALL - WET ROTOR ELECTRONIC CIRCULATORS

Pumped liquid temperature range: from -10 °C to +110 °C - Maximum operating pressure: 16 bar (1600 kPa)

EVOPLUS B 40/220.32 M



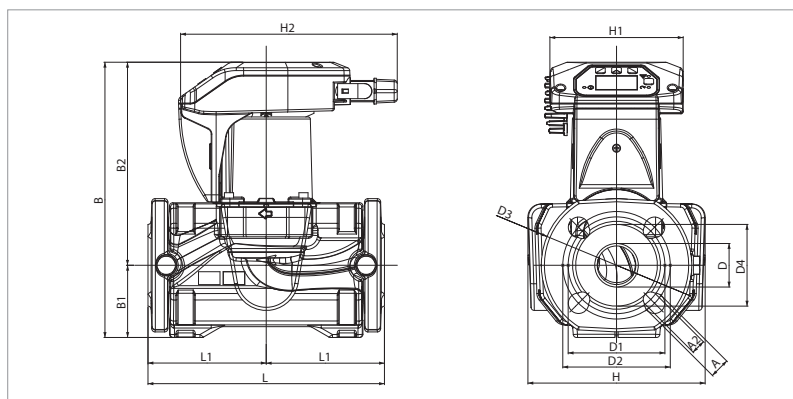
EVOPLUS B 60/220.32 M



The curves are based on kinematic viscosity values = 1 mm<sup>2</sup>/s and density equal to 1000 kg/m<sup>3</sup>. Curve tolerance according to ISO 9906. Fixed speed curves available on the DNA.

MODEL	DISTANCE CENTRE mm	UNIONS ON REQUEST		COUNTERFLANGES ON REQUEST	POWER INPUT 50/60 Hz	P1 MAX W	In A	EEI*	MINIMUM SUCTION PRESSURE			WEIGHT Kg
		STANDARDISED	SPECIAL						t°	90°	100°	
EVOPLUS B 40/220.32 M	220	-	-	DN32 PN 6	220/240 V	68	0,55	EEI ≤ 0,20	m.c.w.	20	25	7,5
EVOPLUS B 60/220.32 M	220	-	-	DN32 PN 6	220/240 V	100	0,75	EEI ≤ 0,20	m.c.w.	20	25	7,5

The parameter of reference for the more efficient circulators is EEI ≤ 0,20.



L	L1	L2	A	A2	B	B1	B2
220	110	110	19	14	256	67	189

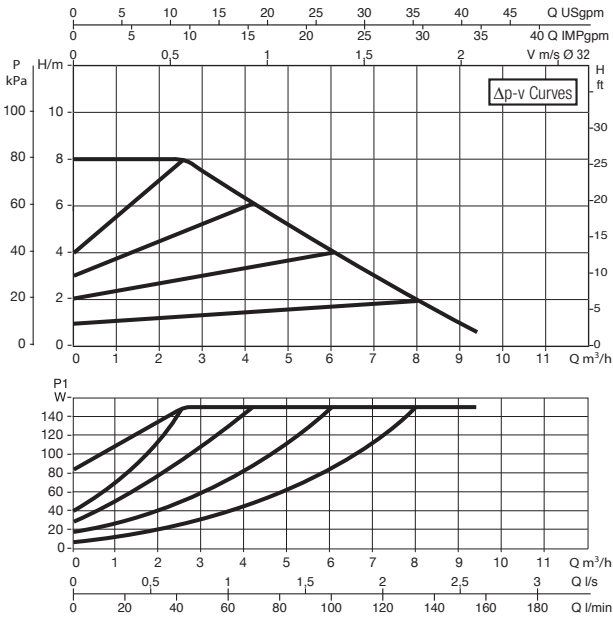
D	D1	D2	D3	D4	H	H1	H2
40	90	100	140	76	165	124	204



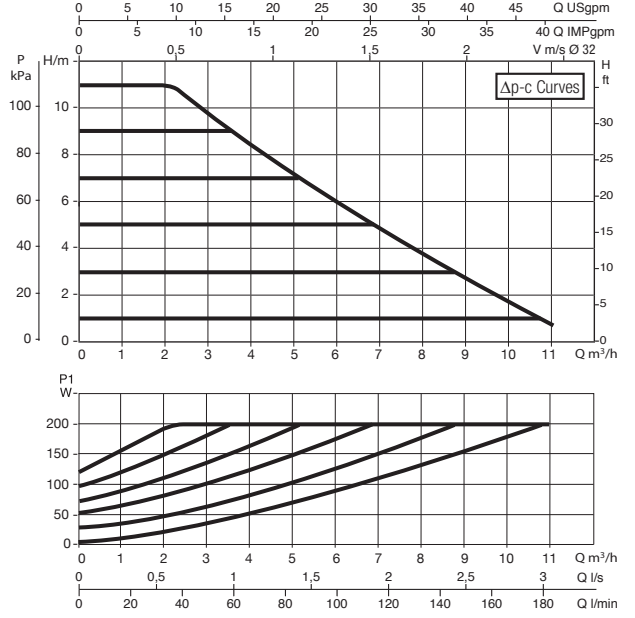
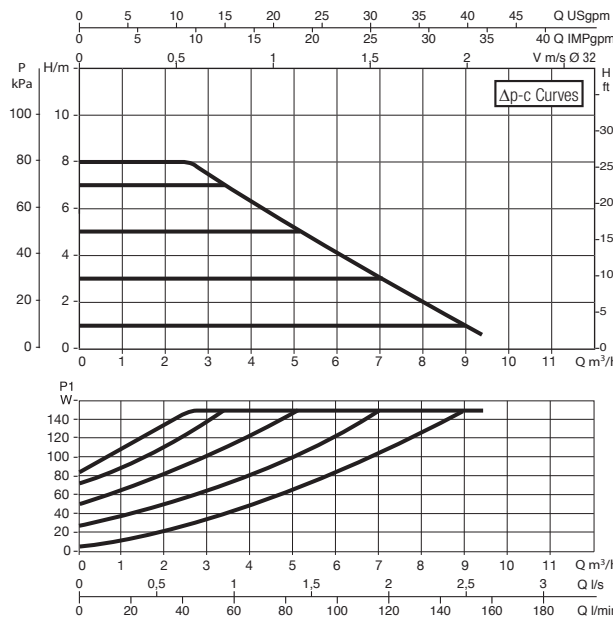
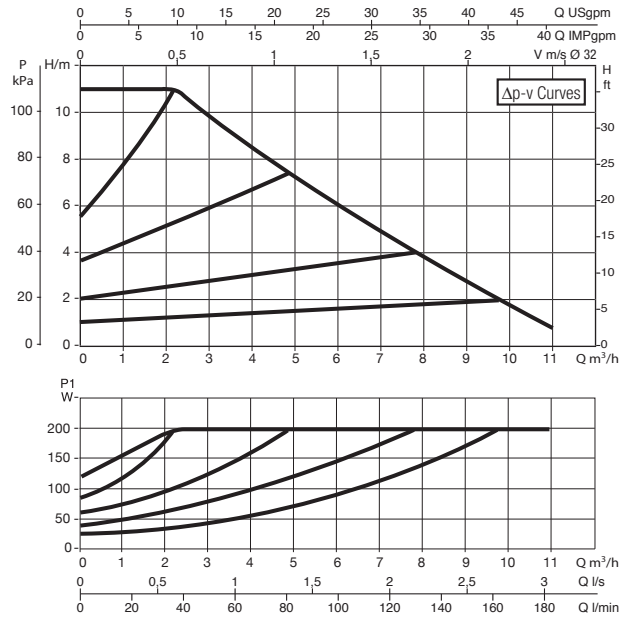
# EVOPLUS SMALL - WET ROTOR ELECTRONIC CIRCULATORS

Pumped liquid temperature range: from -10 °C to +110 °C - Maximum operating pressure: 16 bar (1600 kPa)

EVOPLUS B 80/220.32 M



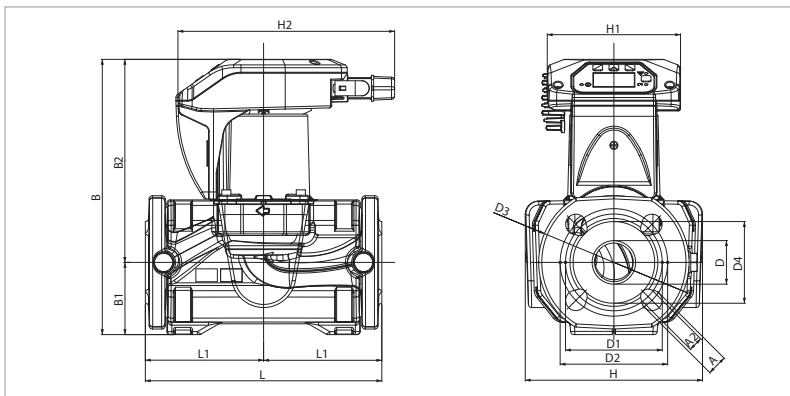
EVOPLUS B 110/220.32 M



The curves are based on kinematic viscosity values = 1 mm²/s and density equal to 1000 kg/m³. Curve tolerance according to ISO 9906. Fixed speed curves available on the DNA.

MODEL	CENTRE DISTANCE mm	UNIONS ON REQUEST		COUNTERFLANGES ON REQUEST	POWER INPUT 50/60 Hz	P1 MAX W	In A	EEI*	MINIMUM SUCTION PRESSURE			WEIGHT Kg
		STANDARDISED	SPECIAL						t°	90°	100°	
EVOPLUS B 80/220.32 M	220	-	-	DN32 PN 6	220/240 V	132	0,97	EEI ≤ 0,20	m.c.w.	20	25	7,5
EVOPLUS B 110/220.32 M	220	-	-	DN32 PN 6	220/240 V	180	1,3	EEI ≤ 0,20	m.c.w.	20	25	7,5

The parameter of reference for the more efficient circulators is EEI ≤ 0,20.



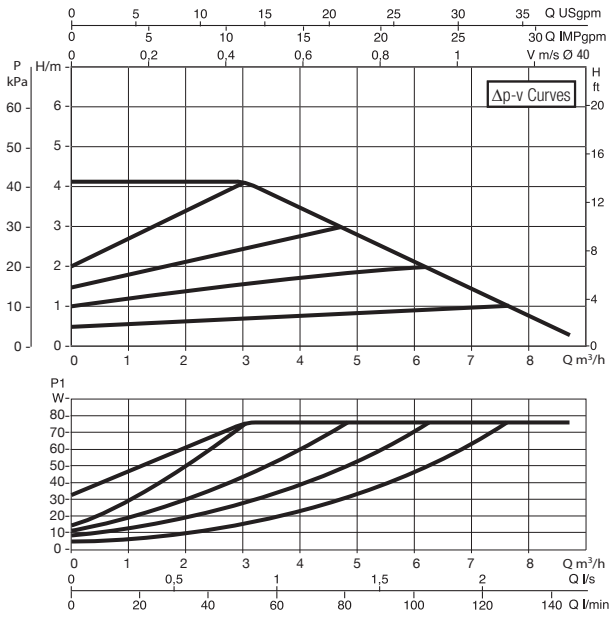
L	L1	L2	A	A2	B	B1	B2
220	110	110	19	14	256	67	189

D	D1	D2	D3	D4	H	H1	H2
40	90	100	140	76	165	124	204

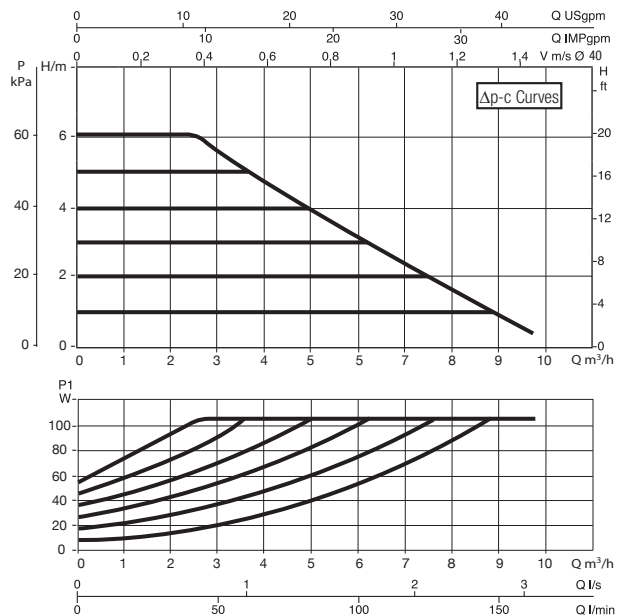
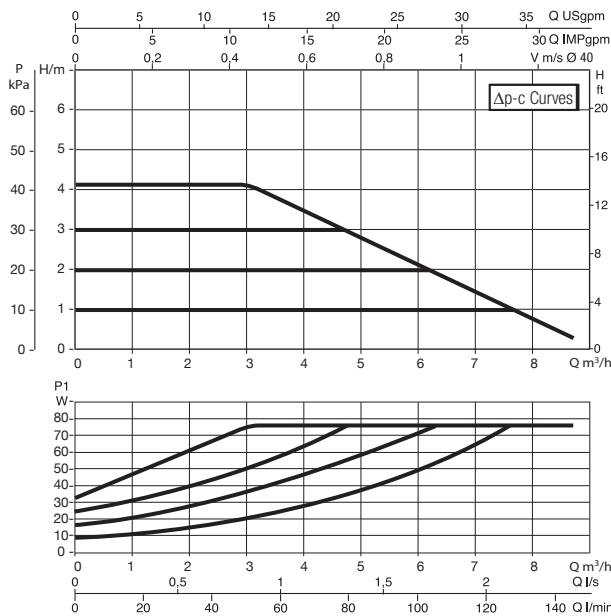
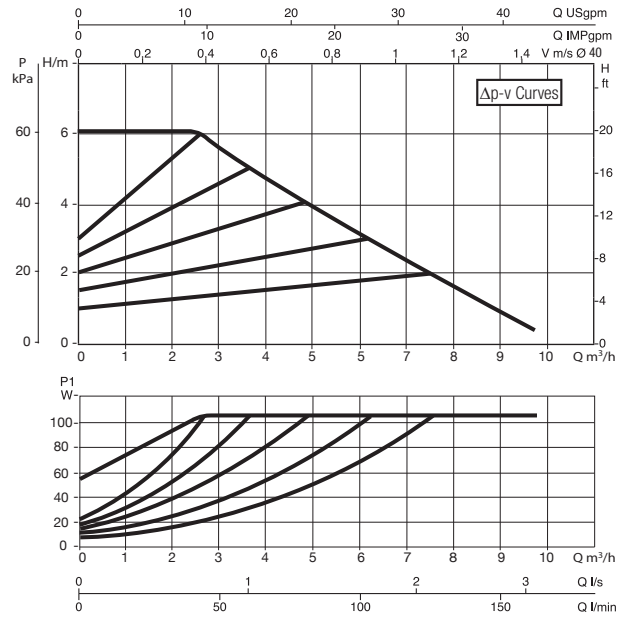
# EVOPLUS SMALL - WET ROTOR ELECTRONIC CIRCULATORS

Pumped liquid temperature range: from -10 °C to +110 °C - Maximum operating pressure: 16 bar (1600 kPa)

EVOPLUS B 40/250.40 M



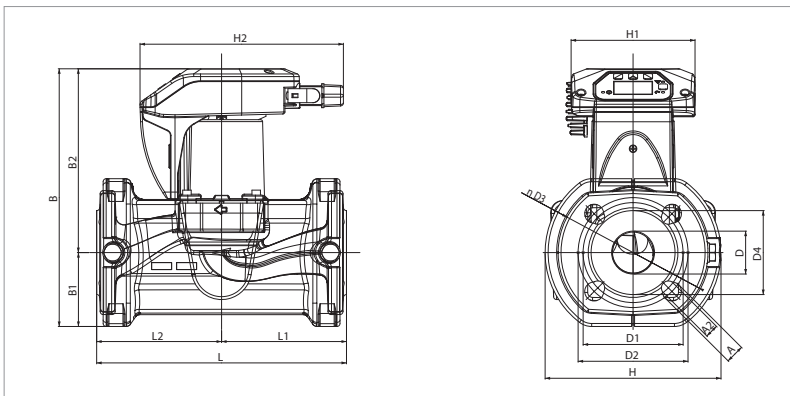
EVOPLUS B 60/250.40 M



The curves are based on kinematic viscosity values = 1 mm<sup>2</sup>/s and density equal to 1000 kg/m<sup>3</sup>. Curve tolerance according to ISO 9906. Fixed speed curves available on the DNA.

MODEL	CENTRE DISTANCE mm	UNIONS ON REQUEST		COUNTERFLANGES ON REQUEST	POWER INPUT 50/60 Hz	P1 MAX W	In A	EEI*	MINIMUM SUCTION PRESSURE			WEIGHT Kg
		STANDARDISED	SPECIAL						t°	90°	100°	
EVOPLUS B 40/250.40 M	250	-	-	DN40 PN 10	220/240 V	70	0,55	EEI ≤ 0,20	m.c.w.	20	25	7,5
EVOPLUS B 60/250.40 M	250	-	-	DN40 PN 10	220/240 V	100	0,75	EEI ≤ 0,20	m.c.w.	20	25	7,5

The parameter of reference for the more efficient circulators is EEI ≤ 0,20.



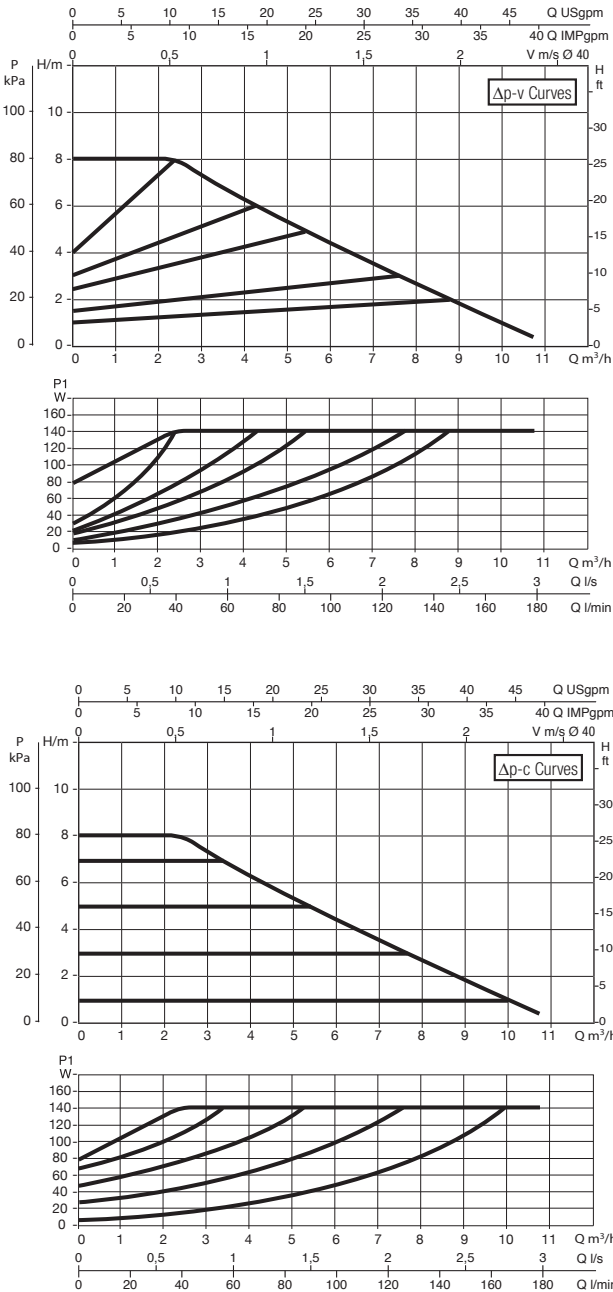
L	L1	L2	A	A2	B	B1	B2
250	125	125	19	14	258	74	184

D	D1	D2	D3	D4	H	H1	H2
43	100	110	150	84	176	124	204

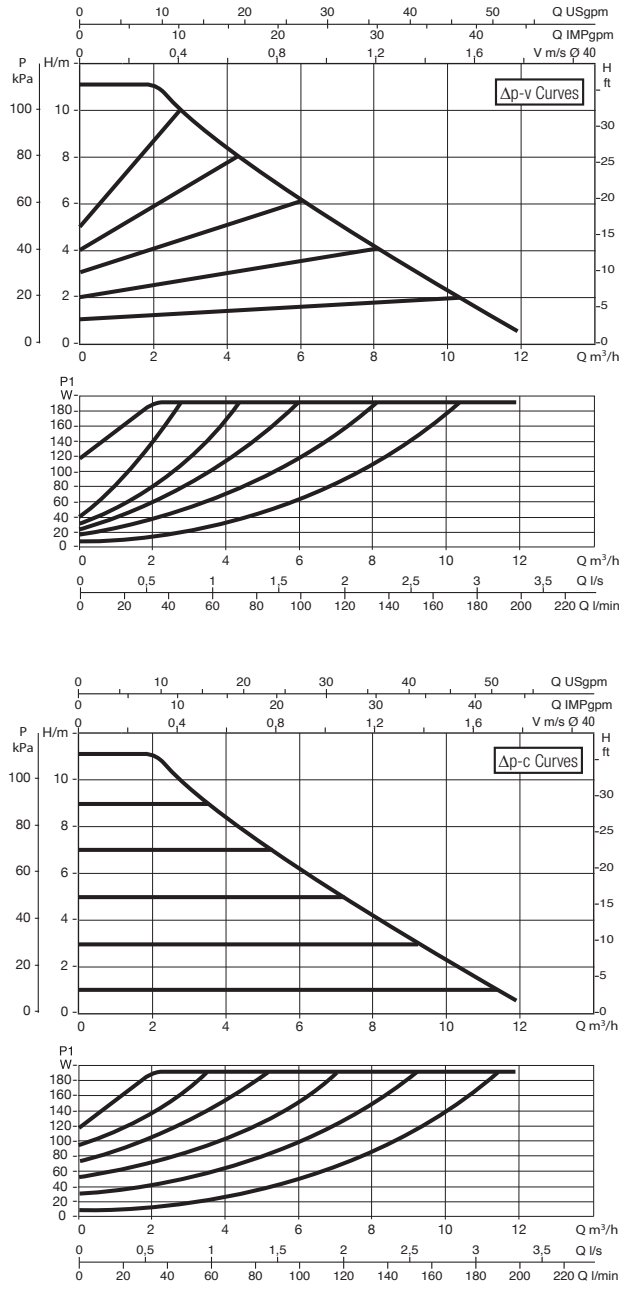
# EVOPLUS SMALL - WET ROTOR ELECTRONIC CIRCULATORS

Pumped liquid temperature range: from -10 °C to +110 °C - Maximum operating pressure: 16 bar (1600 kPa)

EVOPLUS B 80/250.40 M



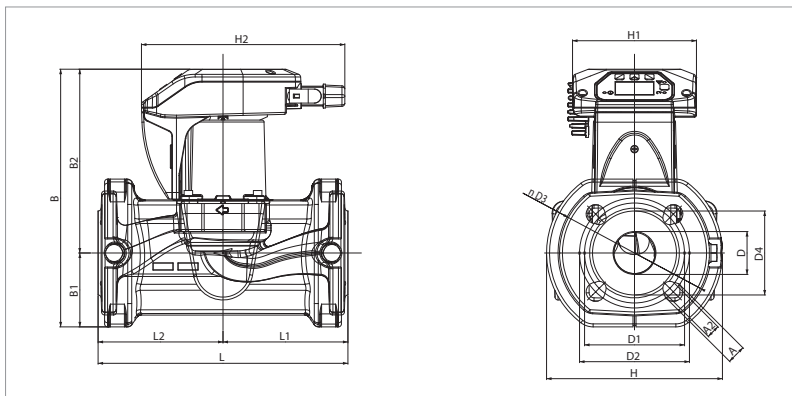
EVOPLUS B 110/250.40 M



The curves are based on kinematic viscosity values = 1 mm²/s and density equal to 1000 kg/m³. Curve tolerance according to ISO 9906. Fixed speed curves available on the DNA.

MODEL	CENTRE DISTANCE mm	UNIONS ON REQUEST		COUNTERFLANGES ON REQUEST	POWER INPUT 50/60 Hz	P1 MAX W	In A	EEI*	MINIMUM SUCTION PRESSURE			WEIGHT Kg
		STANDARDISED	SPECIAL						t°	90°	100°	
EVOPLUS B 80/250.40 M	250	-	-	DN40 PN 10	220/240 V	132	0,97	EEI ≤ 0,20	m.c.w.	20	25	7,5
EVOPLUS B 110/250.40 M	250	-	-	DN40 PN 10	220/240 V	180	1,3	EEI ≤ 0,20	m.c.w.	20	25	7,5

The parameter of reference for the more efficient circulators is EEI ≤ 0,20.



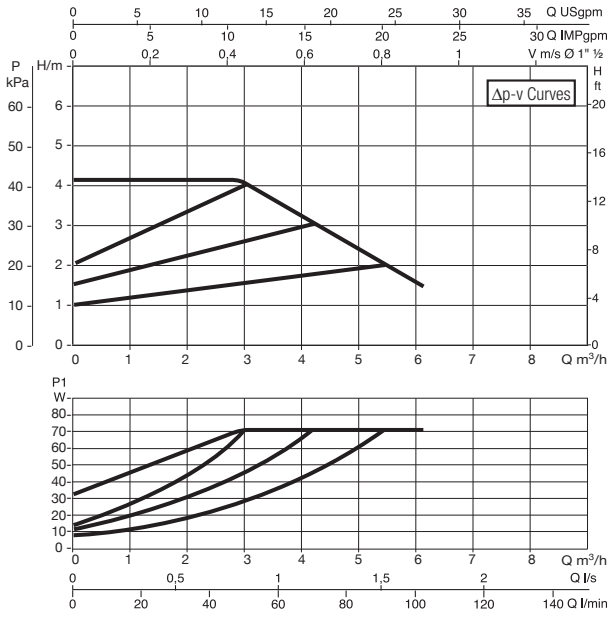
L	L1	L2	A	A2	B	B1	B2
250	125	125	19	14	258	74	184

D	D1	D2	D3	D4	H	H1	H2
43	100	110	150	84	176	124	204

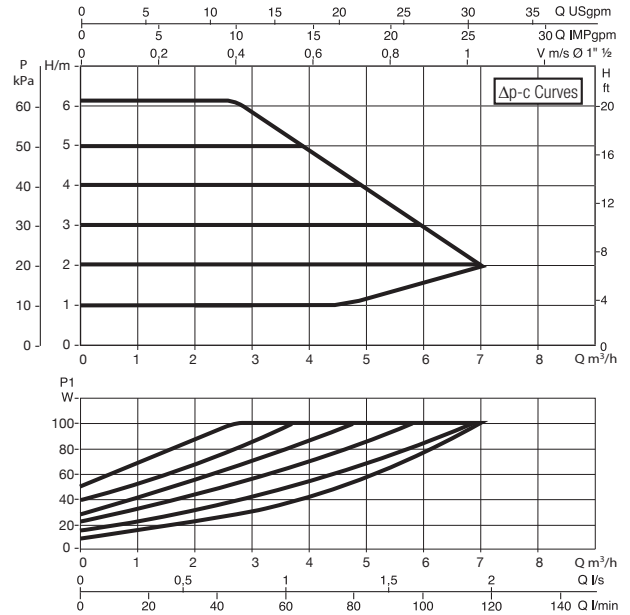
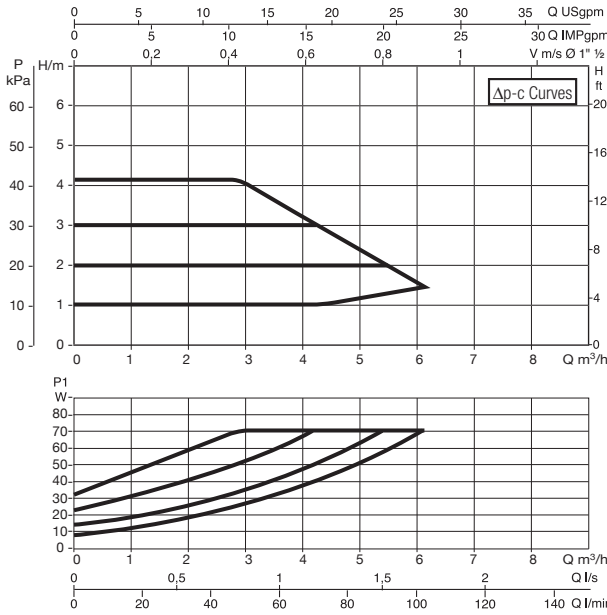
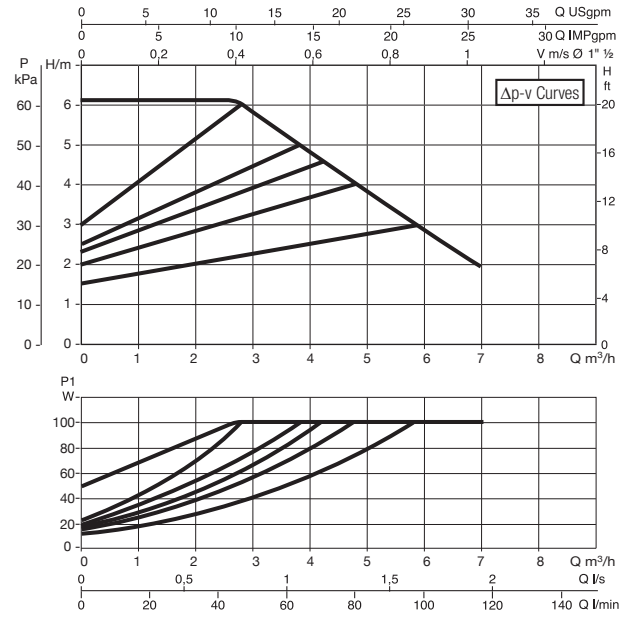
# EVOPLUS SMALL SAN - WET ROTOR ELECTRONIC CIRCULATORS

Pumped liquid temperature range: from -10 °C to +110 °C - Maximum operating pressure: 16 bar (1600 kPa)

EVOPLUS 40/180 SAN M

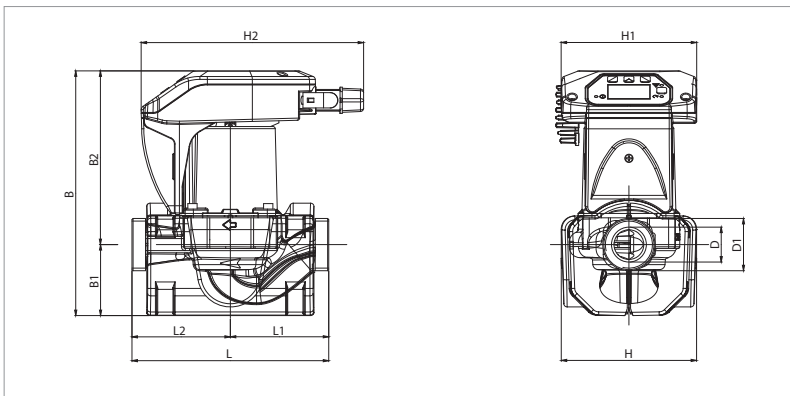


EVOPLUS 60/180 SAN M



The curves are based on kinematic viscosity values = 1 mm<sup>2</sup>/s and density equal to 1000 kg/m<sup>3</sup>. Curve tolerance according to ISO 9906. Fixed speed curves available on the DNA.

MODEL	CENTRE DISTANCE mm	UNIONS ON REQUEST		COUNTERFLANGES ON REQUEST	POWER INPUT 50/60 Hz	P1 MAX W	I <sub>n</sub> A	MINIMUM SUCTION PRESSURE			WEIGHT Kg
		STANDARDISED	SPECIAL					t°	90°	100°	
EVOPLUS 40/180 SAN M	180	1" F	1/2" F - 3/4" F	-	220/240 V	70	0,52	m.c.w.	20	25	4,5
EVOPLUS 60/180 SAN M	180	1" F	1/2" F - 3/4" F	-	220/240 V	100	0,72	m.c.w.	20	25	4,5

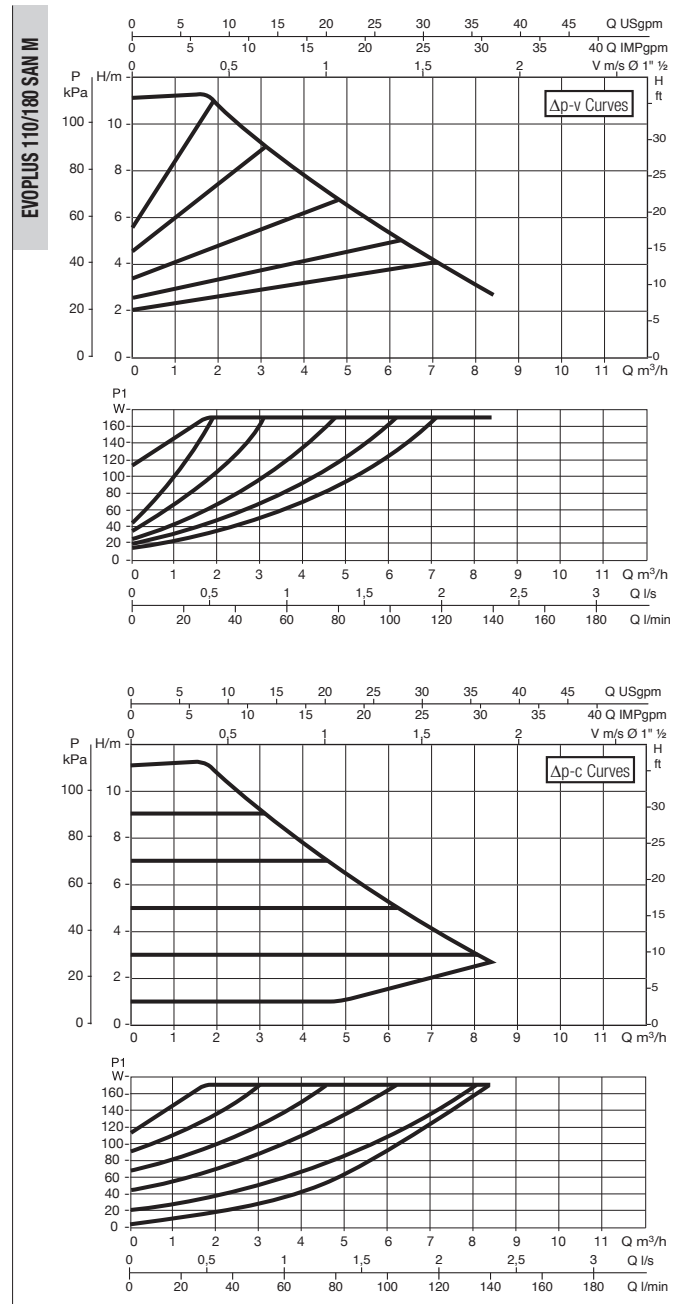
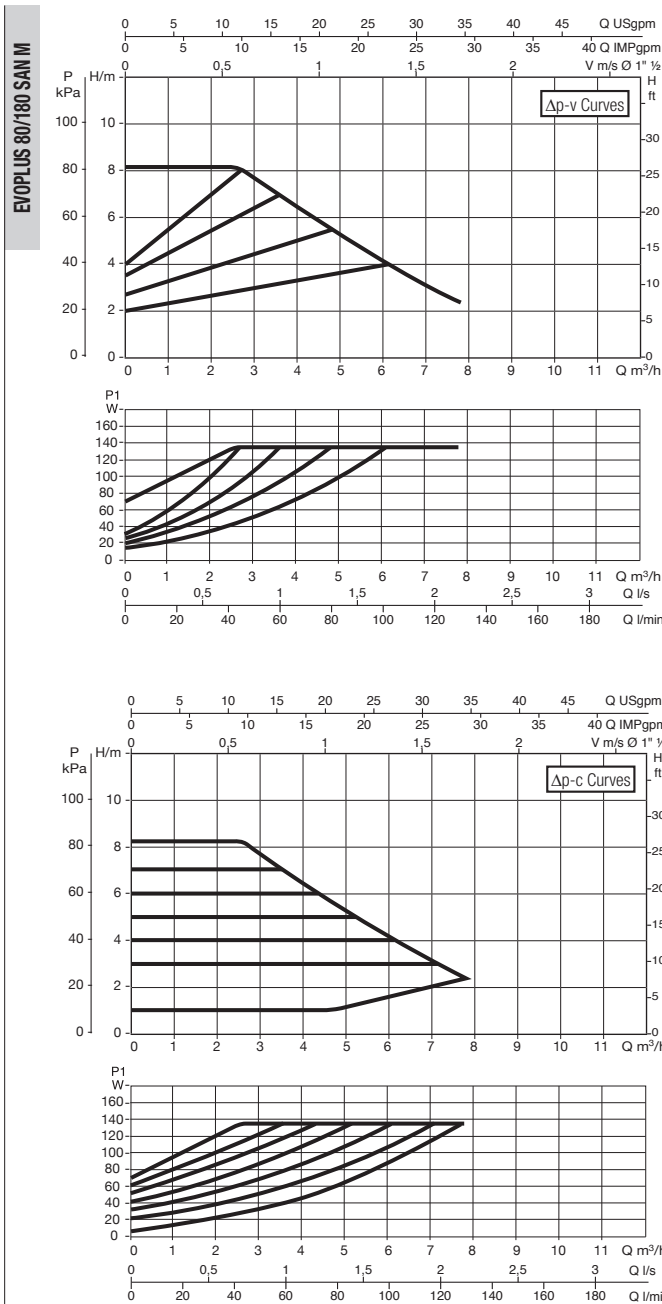


L	L1	L2	B	B1	B2	D	D1	H	H1	H2
180	90	90	224	65	159	32	1 1/2"	124	124	204



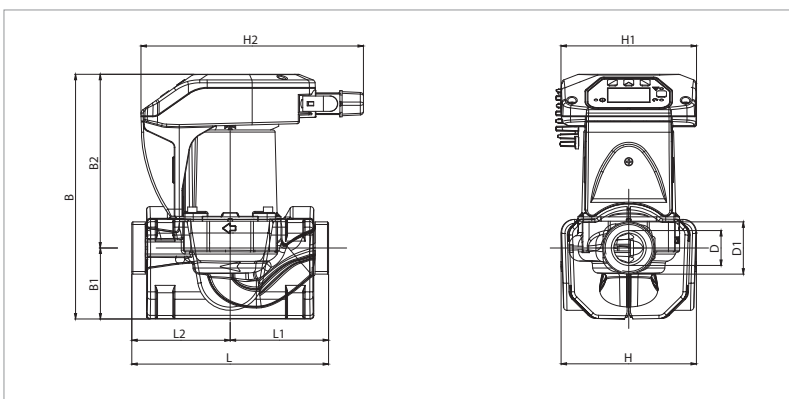
# EVOPLUS SMALL SAN - WET ROTOR ELECTRONIC CIRCULATORS

Pumped liquid temperature range: from -10 °C to +110 °C - Maximum operating pressure: 16 bar (1600 kPa)



The curves are based on kinematic viscosity values = 1 mm<sup>2</sup>/s and density equal to 1000 kg/m<sup>3</sup>. Curve tolerance according to ISO 9906. Fixed speed curves available on the DNA.

MODEL	CENTRE DISTANCE mm	UNIONS ON REQUEST		COUNTERFLANGES ON REQUEST	POWER INPUT 50/60 Hz	P1 MAX W	In A	MINIMUM SUCTION PRESSURE			WEIGHT Kg
		STANDARDISED	SPECIAL					t°	90°	100°	
EVOPLUS 80/180 SAN M	180	1" F	1/2" F - 3/4" F	-	220/240 V	135	0,95	m.c.w.	20	25	4,5
EVOPLUS 110/180 SAN M	180	1" F	1/2" F - 3/4" F	-	220/240 V	170	1,16	m.c.w.	20	25	4,5

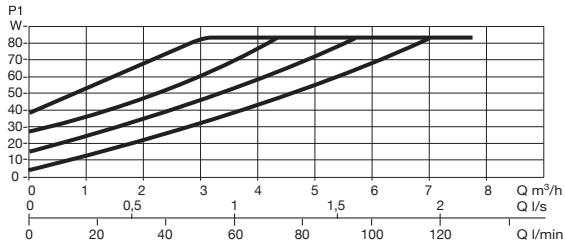
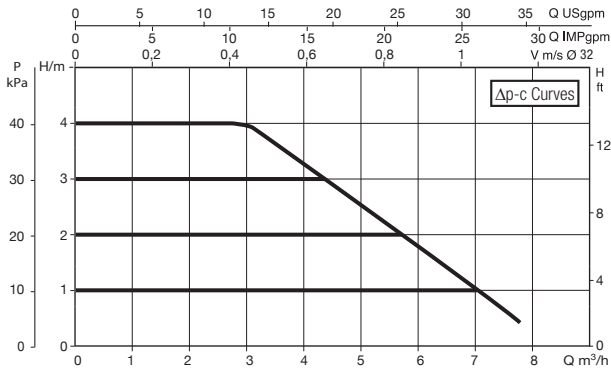
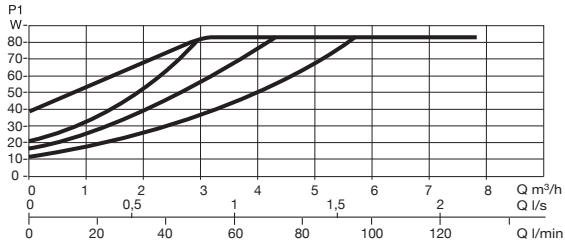
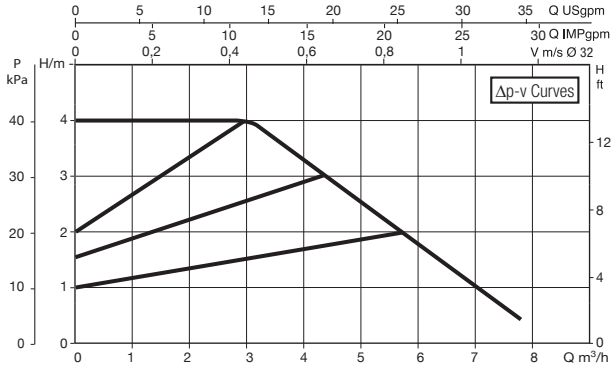


L	L1	L2	B	B1	B2	D	D1	H	H1	H2
180	90	90	224	65	159	32	1 1/2"	124	124	204

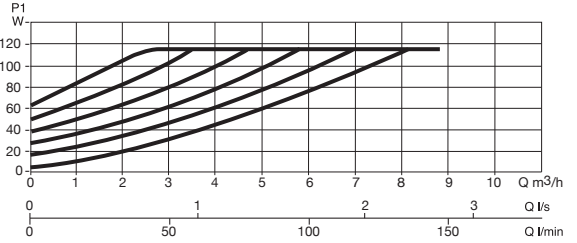
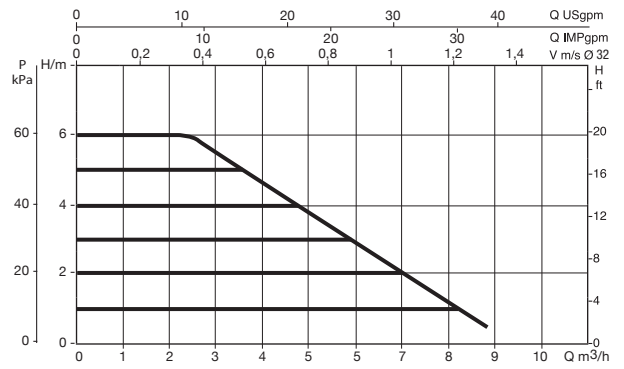
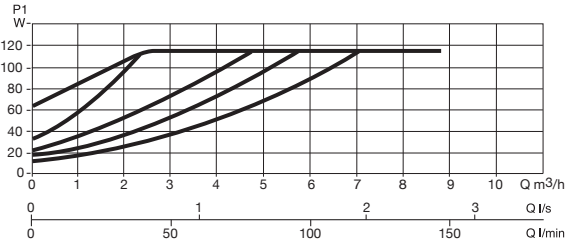
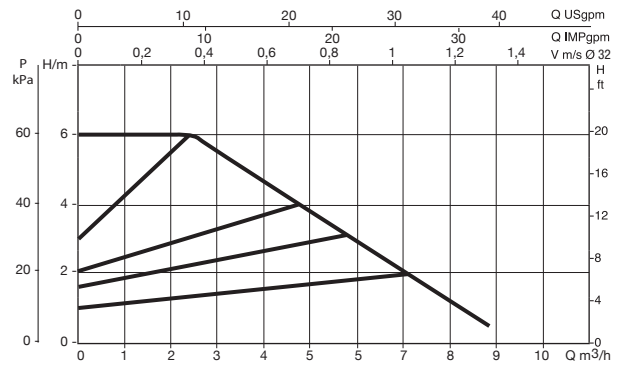
# EVOPLUS SMALL SAN - WET ROTOR ELECTRONIC CIRCULATORS

Pumped liquid temperature range: from -10°C to +110 °C - Maximum operating pressure: 16 bar (1600 kPa)

EVOPLUS B 40/220.32 SAN M

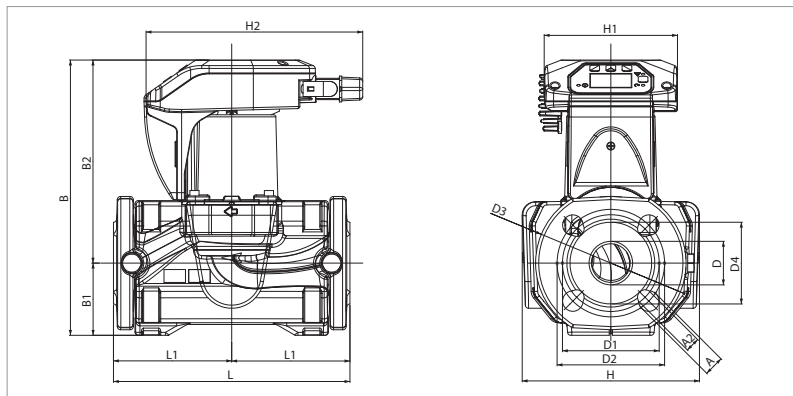


EVOPLUS B 60/220.32 SAN M



The curves are based on kinematic viscosity values = 1 mm<sup>2</sup>/s and density equal to 1000 kg/m<sup>3</sup>. Curve tolerance according to ISO 9906. Fixed speed curves available on the DNA.

MODEL	CENTRE DISTANCE mm	UNIONS ON REQUEST		COUNTERFLANGES ON REQUEST	POWER INPUT 50/60 Hz	P1 MAX W	In A	MINIMUM SUCTION PRESSURE			WEIGHT Kg
		STANDARDISED	SPECIAL					t°	90°	100°	
EVOPLUS B 40/220.32 SAN M	220	-	-	DN 32 PN 6	220/240 V	85	0,55	m.c.w.	20	25	8,6
EVOPLUS B 60/220.32 SAN M	220	-	-	DN 32 PN 6	220/240 V	110	0,75	m.c.w.	20	25	8,6



L	L1	L2	A	A2	B	B1	B2
220	110	110	19	14	256	67	189

D	D1	D2	D3	D4	H	H1	H2
40	90	100	140	76	165	124	204

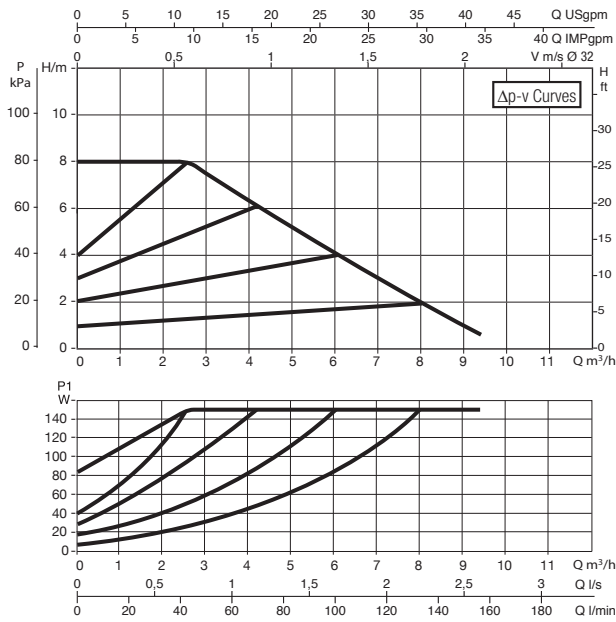




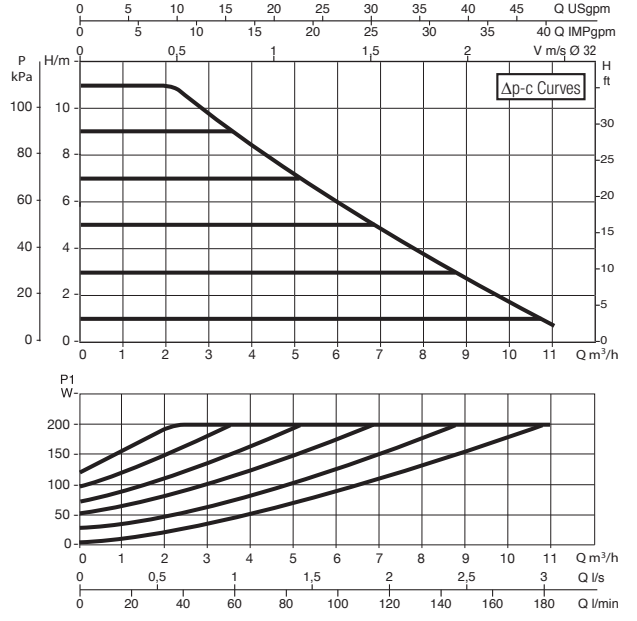
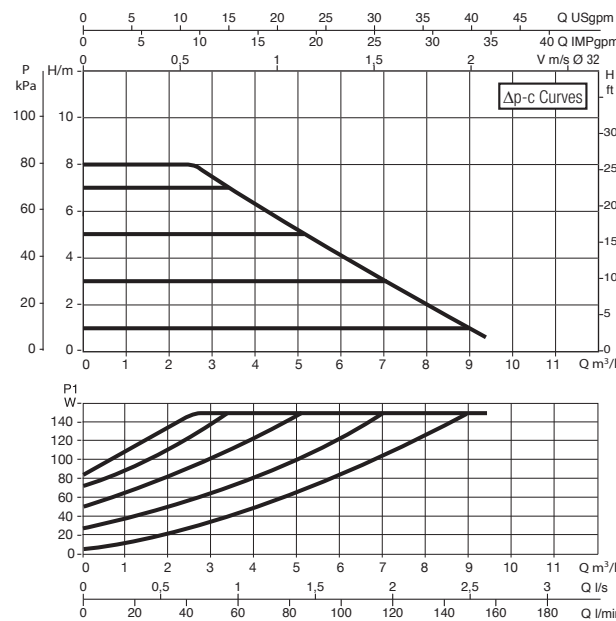
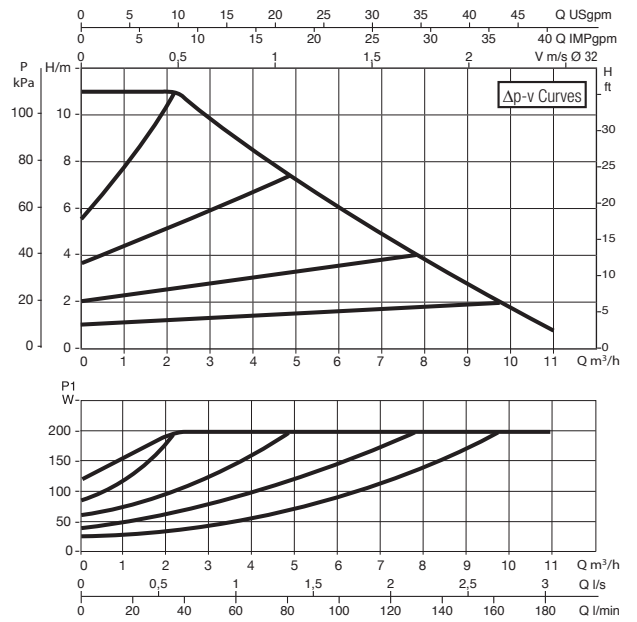
# EVOPLUS SMALL SAN - WET ROTOR ELECTRONIC CIRCULATORS

Pumped liquid temperature range: from -10 °C to +110 °C - Maximum operating pressure: 16 bar (1600 kPa)

EVOPLUS B 80/220.32 SAN M

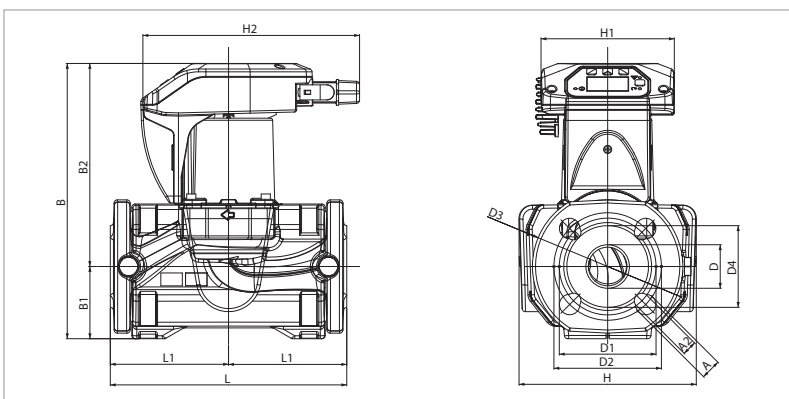


EVOPLUS B 110/220.32 SAN M



The curves are based on kinematic viscosity values = 1 mm<sup>2</sup>/s and density equal to 1000 kg/m<sup>3</sup>. Curve tolerance according to ISO 9906. Fixed speed curves available on the DNA.

MODEL	CENTRE DISTANCE mm	UNIONS ON REQUEST		COUNTERFLANGES ON REQUEST	POWER INPUT 50/60 Hz	P1 MAX W	In A	MINIMUM SUCTION PRESSURE			WEIGHT Kg
		STANDARDISED	SPECIAL					t°	90°	100°	
EVOPLUS B 80/220.32 SAN M	220	-	-	DN 32 PN 6	220/240 V	150	0,97	m.c.w.	20	25	8,6
EVOPLUS B 110/220.32 SAN M	220	-	-	DN 32 PN 6	220/240 V	200	1,3	m.c.w.	20	25	8,6

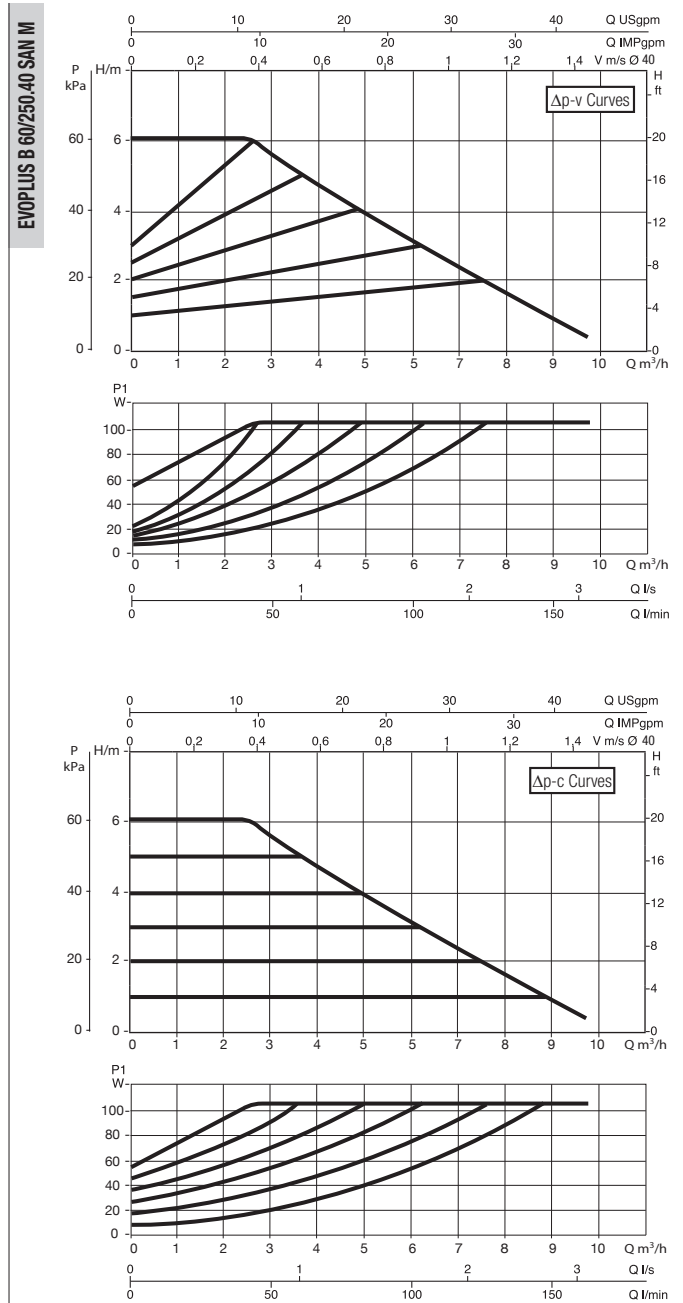
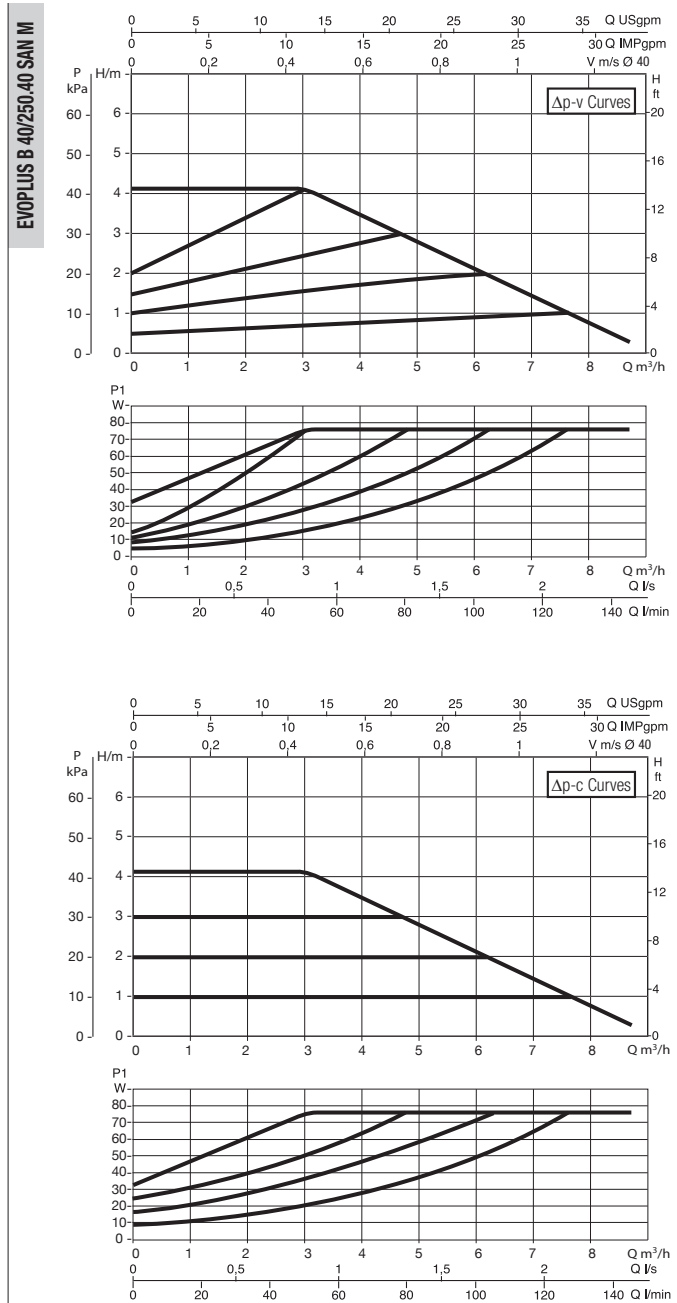


L	L1	L2	A	A2	B	B1	B2
220	110	110	19	14	256	67	189

D	D1	D2	D3	D4	H	H1	H2
40	90	100	140	76	165	124	204

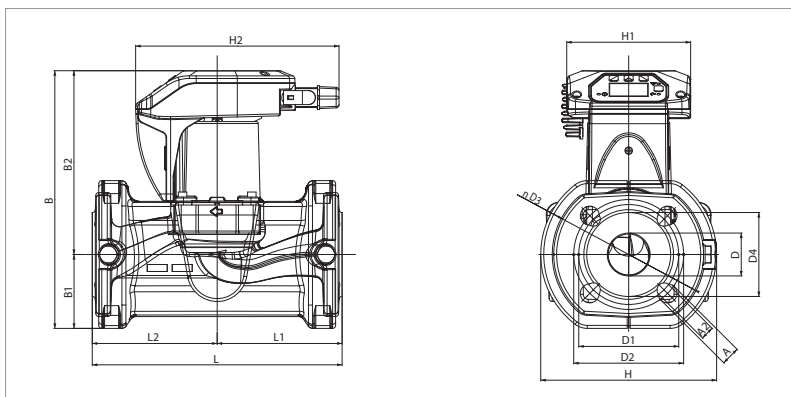
# EVOPLUS SMALL SAN - WET ROTOR ELECTRONIC CIRCULATORS

Pumped liquid temperature range: from -10 °C to +110 °C - Maximum operating pressure: 16 bar (1600 kPa)



The curves are based on kinematic viscosity values = 1 mm<sup>2</sup>/s and density equal to 1000 kg/m<sup>3</sup>. Curve tolerance according to ISO 9906. Fixed speed curves available on the DNA.

MODEL	CENTRE DISTANCE mm	UNIONS ON REQUEST		COUNTERFLANGES ON REQUEST	POWER INPUT 50/60 Hz	P1 MAX W	In A	MINIMUM SUCTION PRESSURE			WEIGHT Kg
		STANDARDISED	SPECIAL					t°	90°	100°	
EVOPLUS B 40/250.40 SAN M	250	-	-	DN 40 PN 10	220/240 V	75	0,55	m.c.w.	20	25	9,3
EVOPLUS B 60/250.40 SAN M	250	-	-	DN 40 PN 10	220/240 V	105	0,75	m.c.w.	20	25	9,3

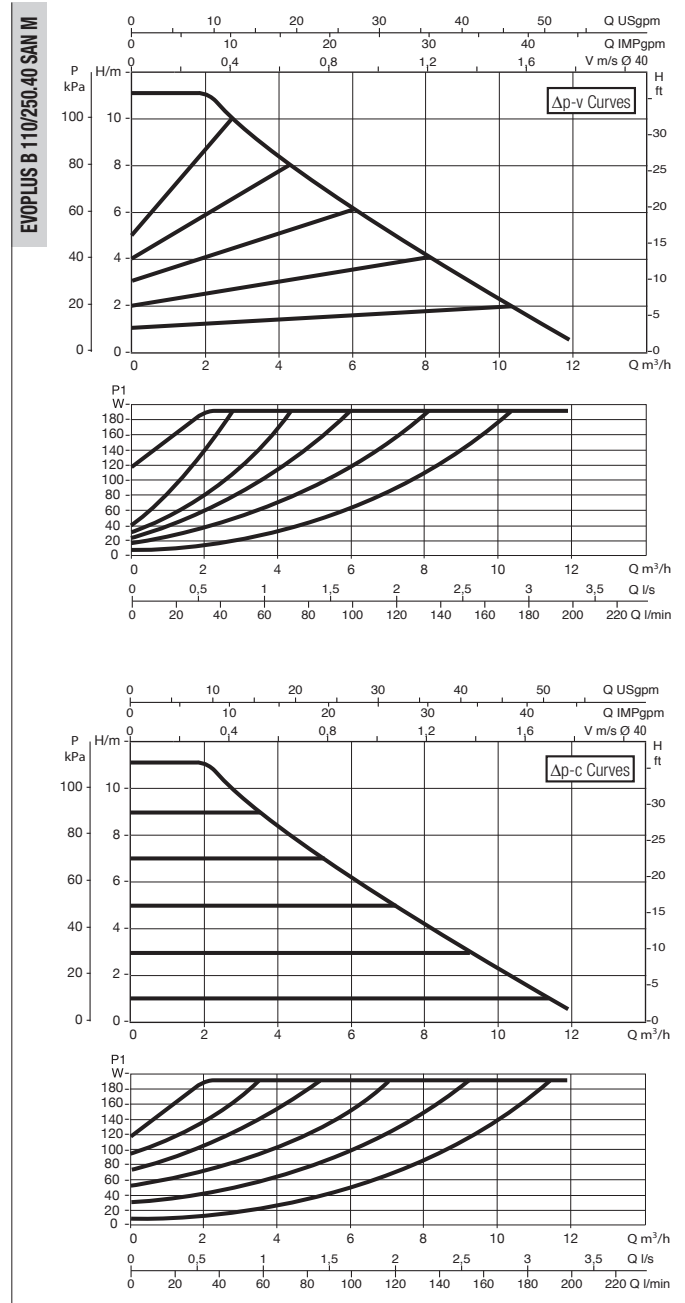
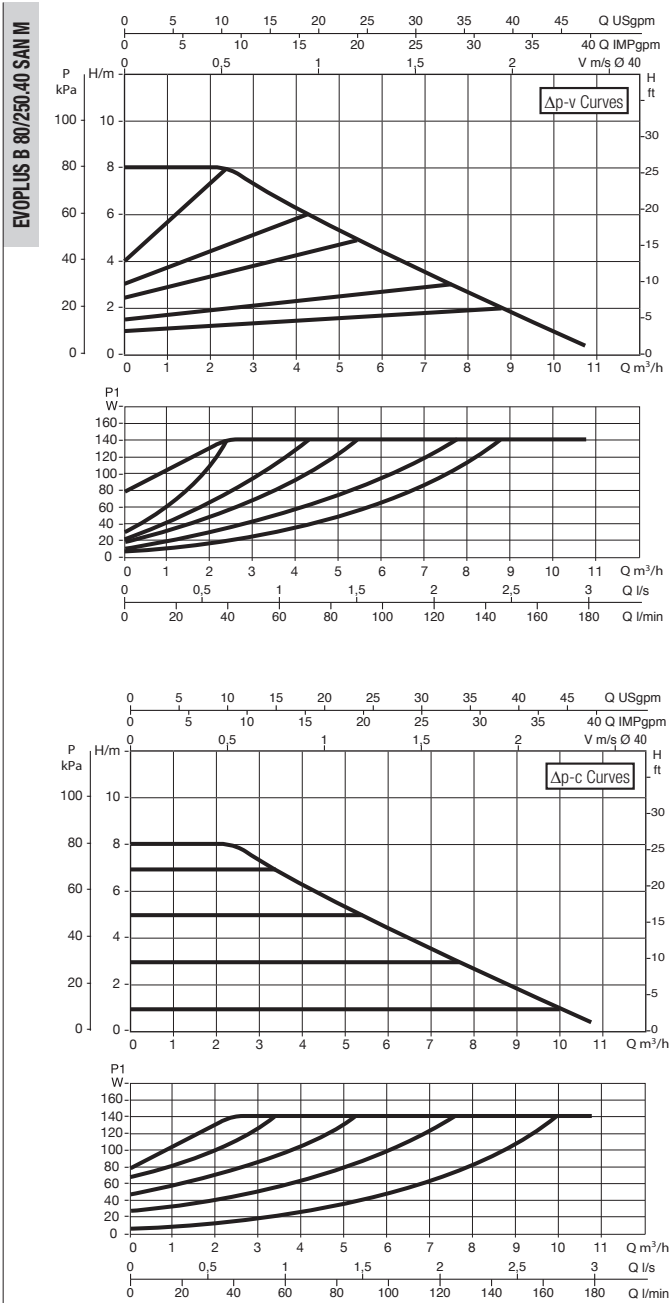


L	L1	L2	A	A2	B	B1	B2
250	125	125	19	14	258	74	184

D	D1	D2	D3	D4	H	H1	H2
43	100	110	150	84	176	124	204

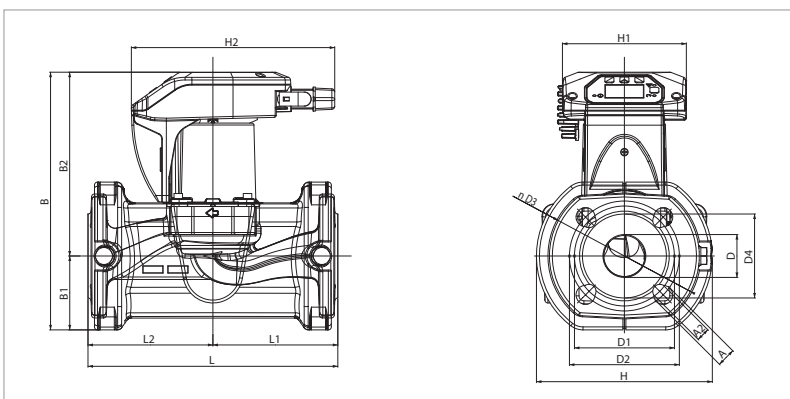
# EVOPLUS SMALL SAN - WET ROTOR ELECTRONIC CIRCULATORS

Pumped liquid temperature range: from -10 °C to +110 °C - Maximum operating pressure: 16 bar (1600 kPa)



The curves are based on kinematic viscosity values = 1 mm<sup>2</sup>/s and density equal to 1000 kg/m<sup>3</sup>. Curve tolerance according to ISO 9906. Fixed speed curves available on the DNA.

MODEL	CENTRE DISTANCE mm	UNIONS ON REQUEST		COUNTERFLANGES ON REQUEST	POWER INPUT 50/60 Hz	P1 MAX W	In A	MINIMUM SUCTION PRESSURE			WEIGHT Kg
		STANDARDISED	SPECIAL					t°	90°	100°	
EVOPLUS B 80/250.40 SAN M	250	-	-	DN 40 PN 10	220/240 V	140	0,97	m.c.w.	20	25	9,3
EVOPLUS B 110/250.40 SAN M	250	-	-	DN 40 PN 10	220/240 V	190	1,3	m.c.w.	20	25	9,3



L	L1	L2	A	A2	B	B1	B2
250	125	125	19	14	258	74	184

D	D1	D2	D3	D4	H	H1	H2
43	100	110	150	84	176	124	204

# EVOPLUS / EVOPLUS SAN

WET ROTOR ELECTRONIC CIRCULATORS



EVOPLUS



EVOPLUS SAN

## TECHNICAL DATA

**Operating range:** from 3 a 75.6 m<sup>3</sup>/h with head of up to 18 metres.

**Pumped liquid temperature range:** from -10 °C to +110 °C.

**Pumped liquid:** clean, free of solids and mineral oils, non-viscous, chemically neutral, with properties similar to water. (glycol max 30%).

**Maximum operating pressure:** 16 bar (1600 kPa).

**Standard flanges:** DN 32, DN 40, DN 50, DN 65, PN 6 / PN 10 / PN 16 (4 holes), DN 80 and DN 100, PN 6 (4 holes).

**Maximum ambient temperature:** + 40 °C.

**Minimum suction pressure:** the values are shown in the corresponding tables.

**Special executions on request:** DN 80, DN 100 PN 10 / PN 16 (8 holes).

**Accessories (Counter flanges):** PN 10 DN 32 - DN 40 - DN 50 - DN 65  
PN 6 DN 80 - DN 100.

**Electromagnetic compatibility:** EVOPLUS circulator comply with EN 61800-3 standard, category C2, as far as electromagnetic compatibility.

**Electromagnetic emissions** - Residential environment (containment measures might be required in some cases).

**Conducted emissions** - Residential environment (containment measures might be required in some cases).

## APPLICATIONS

EVOPLUS circulation electronic pumps can be used in heating, ventilation, and air conditioning systems for residential and commercial buildings, like:

- Large residential buildings
- Private and public hospitals
- Real estate buildings
- Condominiums and small apartment buildings
- Schools
- Homes
- Office buildings

All the models are available both in the single and twin version.

Bronze pump execution for the recirculation of sanitary water, available in single version with DN 32, DN 40, DN 50 and DN 65 flanged ports.

Supplied as a standard ready for control using 0-10 V or PWM external signal, and for the connection to ModBus management systems (LonBus with appropriate communication module available as optional). **You can remotely control the single version thanks to the Dconnect service** (with Dconnect Box provided separately).

## HEATING SYSTEM APPLICATIONS

The heating required for the different applications varies significantly during day and night, due to the external temperature, or the degree of occupancy inside the areas. To the above, one must add the different needs of the various environments, and the opening or closing of the various circuit branches of complex systems. Electronic wet rotor pumps ensure at all times, and virtually in all correctly sized systems, a sufficient level of energy, together with a quieter operation, and more comfort, together with an important reduction of operating costs.

## AIR CONDITIONING APPLICATIONS

Unlike conventional electronic pumps, EVOPLUS electronic circulators can also be used in air conditioning systems where the temperature of the pumped liquid is lower than the room temperature. In these conditions, condensation tends to form on the outer surface of the circulator, which however does not affect the operation of the electronic and the mechanical components. The unit is designed and sized in such a way that it allows condensation to drain without damage to the construction components.

## SANITARY RECIRCULATION APPLICATIONS

The SAN version, with bronze pump body, was specifically developed for the recirculation of sanitary water. With the constant temperature mode of operation, the temperature inside the recirculation piping is controlled without the need for thermostat valves, therefore optimizing comfort.

## CONSTRUCTION FEATURES

Monobloc circulation pump consisting of the cast iron hydraulic section, and the wet rotor synchronous motor. Aluminium motor casing. Scroll type pump body featuring high hydraulic efficiency thanks to highly precise design and smooth internal surfaces. In-line suction and delivery ports.

The single version is supplied as standard with insulating casing, to avoid heat dispersion and/or the formation of condensation on the pump body.

For the twin version, the insulation must be provided by the installer. In any case, pay attention not to obstruct the condensation drainage ducts, to avoid impairing the operation of the circulator.

Technopolymer impeller, stainless steel motor shaft on ceramic bushings lubricated by the pumped liquid. Stainless steel rotor protection liner. Ceramic thrust ring, ethylene-propylene seal rings and carbon fibre composite stator liner. Asynchronous motor with permanent magnet rotor. The twin version features an automatic swing check valve incorporated in the delivery port, to avoid water recirculating through the unit when this is not running; in addition, a blank flange is also supplied as standard, to allow either of the two motors to be removed for servicing. The standard execution of the pump body is PN 16. DN 80 and DN 100 PN 16 (8 holes) also available on request.

Circulator protection class: IP X4D

Insulation class: F

Standard voltage: single-phase 220/240 V / 50/60 Hz

sound pressure value  $\leq$  45 dB(A)

Product compliant with European Standards EN 61800-3 – EN 60335-1 – EN 60335-2-51



# DCONNECT SERVICE

## REMOTE CONTROL FOR ELECTRONIC RESIDENTIAL AND COMMERCIAL SYSTEMS

The Dconnect service offers simple and intuitive remote control of your installation, without the need of a server or specialist personnel.

**With Dconnect, you can remotely manage your installations as if you were right in front of them.**

Thanks to the system operation charts, you will also be able to optimise operation. You will also receive prompt notifications of any system faults.

### THE CONNECTIVITY SERVICE ALLOWS YOU TO:

#### EASILY MONITOR YOUR SYSTEMS

The installations with green status are OK, while the orange ones need attention, and the red ones are experiencing problems

**DCONNECT**

Installation list

Installation Name	Status
Impianto di pressurizzazione via Cairolli Pisa	STATUS <input checked="" type="checkbox"/>
Condominio Cancelli Palaia	STATUS <input type="checkbox"/>
Condominio Pero Livorno	STATUS <input checked="" type="checkbox"/>
Condominio Nicolai Firenze	STATUS <input checked="" type="checkbox"/>
Officine Arnoldi Pressurizzazione	STATUS <input checked="" type="checkbox"/>
Officine Arnoldi Riscaldamento	STATUS <input checked="" type="checkbox"/>
Officine Arnoldi Acqua Calda Sanitaria	STATUS <input checked="" type="checkbox"/>
Officine Arnoldi gruppi frigo	STATUS <input checked="" type="checkbox"/>

### TAKE ANY NECESSARY ACTIONS AS IF YOU WERE RIGHT IN THE PUMP ROOM

Using the internet site or the APPs, you will be able to easily and quickly control your systems.

**DCONNECT**

NAME : EVOPLUS  
PRODUCT DESCRIPTION : EVOPLUS  
SERIAL : R631K

Time elapsed from last received data **less than 3m**

Status

Parameter	Value
SYSTEM ERROR STATUS	System OK
HEAD	11.1 m
PUMP STATUS	Off
ESTIMATED FLOW	11.3 m³/h
POWER	0 W
RPM	0 rpm
CURRENT	0 mA
RUN TIME PUMP	16968 h
BOARD TEMPERATURE	- °C
LIQUID TEMPERATURE	15 °C
LIQUID TEMPERATURE 2	- °C
HEATSINK TEMPERATURE	29 °C
LINE VOLTAGE	228 V

# DCONNECT SERVICE

## REMOTE CONTROL FOR ELECTRONIC RESIDENTIAL AND COMMERCIAL SYSTEMS

In order to use the Dconnect service, registration and connected products are required.

Connect to the website: <https://dconnect.dabpumps.com>, using Internet Browsers such as Microsoft Edge or Google Chrome.

The Android and iOS Dconnect APPs can be downloaded from the relevant Stores:



## REMOTE ALARMS

In case of alarm, the Dconnect service will promptly send you a notification, so that you can check what is happening and organise a visit to the system before the issue becomes an emergency for your customer.

## WHAT PRODUCTS CAN YOU MANAGE USING THE DCONNECT SERVICE?

MCE/P, MCE/C, ADAC, Active driver Plus, Ebox, Evoplus, Eskybox, Eskybox mini, Eskybox Diver, Dtron 3.

## WHAT DO YOU NEED TO USE THE SERVICE?

1. DConnect Box
2. Cables for the connection of the DConnect Box / Dconnect Box 2 to the products to control
3. One or more compatible products
4. An internet connection in the system to control

For more information visit: [internetofpumps.com](http://internetofpumps.com)



# EVOPLUS / EVOPLUS SAN

WET ROTOR ELECTRONIC CIRCULATORS

## EVOPLUS CONSTRUCTION CHARACTERISTICS COLLECTIVE SYSTEMS (ELECTRONIC DEVICE)\*

EVOPLUS circulators are controlled by a latest generation NPT technology IGBT device, for better efficiency and strength. The specific features are:

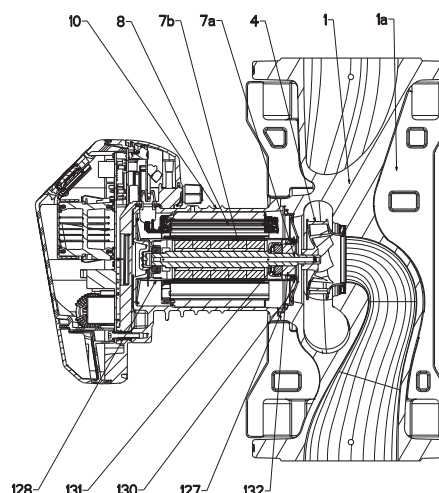
- Sine-wave PWM modulation
- High carrier frequency to eliminate all audio band noise
- 2 dedicated 32 bit processors  
one for driving the motor  
one for the user interface, enabling to perform the following functions:
  - start/stop command
  - Economy command
  - 0-10 V analogue signal command
  - PWM signal command
  - 4-20 mA analogue signal command
  - $\Delta T$  temperature sensor signal command
- connection to ModBus system management devices. Optional LonBus with appropriate module.
- Optimised "space vector" algorithm
- Presence/absence of system alarms
- Pump in operation notification

\* Inputs only available if the associated function is active.

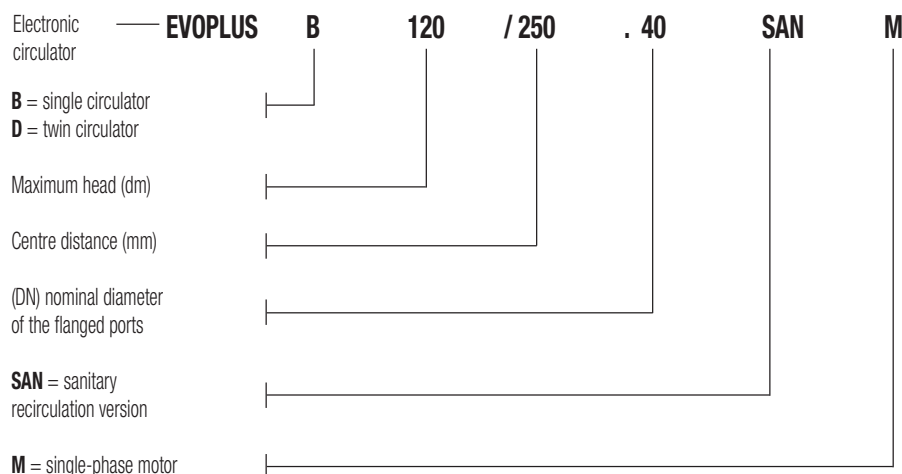
An intuitive and functional user interface guarantees ease of calibration by all users. The easy to read OLED display on the control panel, three simple navigation keys, an in-line cascade menu featuring the latest mobile technology trends, and a wide range of functions, mean that EVOPLUS circulators are truly revolutionary products. A reliable and sturdy construction, together with a modern and innovative design, complete the product, also in terms of aesthetic value.

## MATERIALS

N.	PARTS	MATERIALS
1	PUMP BODY	CAST IRON 250 UNI ISO 185 - CTF BRONZE (for the SAN version)
4	IMPELLER	TECHNOPOLYMER
7A	MOTOR SHAFT	STAINLESS STEEL
7B	ROTOR	STAINLESS STEEL LINER
8	STATOR	-
10	MOTOR CASING	DIE-CAST ALUMINIUM
127	SEAL RING	EPDM RUBBER
128	STATOR LINER	COMPOSITE AND CARBON FIBRE
130	CLOSING FLANGE	STAINLESS STEEL
131	THRUST RING SUPPORT	STAINLESS STEEL
132	BUSHINGS	ALLUMINA



### - Legend: (example)



# EVOPLUS / EVOPLUS SAN

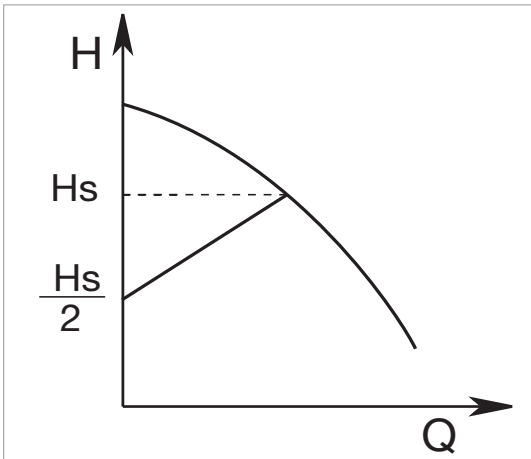
WET ROTOR ELECTRONIC CIRCULATORS

## MODES OF OPERATION

All the functions listed below can be consulted by the users (including less experienced ones) by simply scrolling through the menu. The calibration and the modification of the parameters are protected, and can only be completed by expert users. The factory settings of the EVOPLUS range are for proportional differential pressure control mode in the curve that ensures the best energy efficiency index (EEI).

### 1 - $\Delta P$ -v proportional differential pressure adjustment mode

With  $\Delta P$ -v adjustment mode, with the variation of the flow rate, the value of the delivery of the head also varies in a linear manner, from  $H_{setp}$  to  $H_{setp}/2$ .



This adjustment is particularly indicated for the following systems:

#### a. Two-pipe heating systems with thermostat valves and with:

- head greater than 4 metres;
- very long circuit piping;
- valves with wide operating range;
- differential pressure regulators;
- high pressure drops in those parts of the system carrying the entirety of the water flow rate;
- low differential pressure.

#### b. Under-floor central heating systems with thermostatic valves and significant pressure drops in the boiler circuit.

#### c. Systems with primary circuit pumps with high pressure drops.

### Example of set-up of the set-point with $\Delta P$ -v

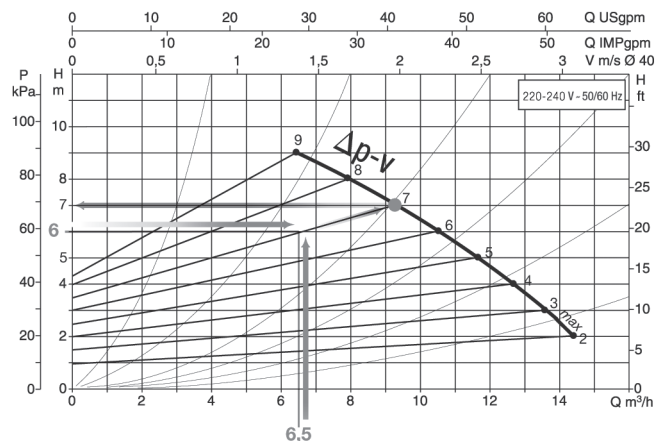
The following operating point is required:

$$Q = 6,5 \text{ m}^3/\text{h}$$

$$H = 6 \text{ m}$$

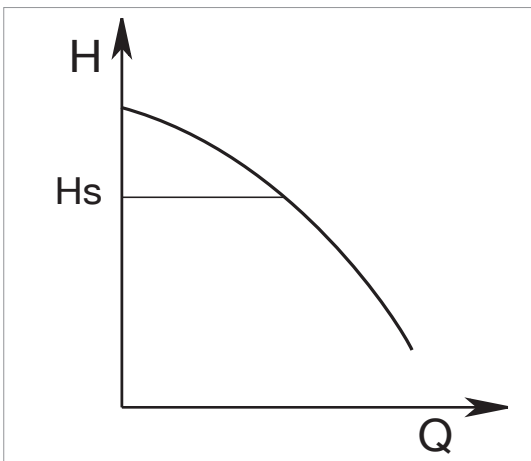
#### PROCEDURE:

1. In the graph, find the desired operating point, and then find the EVOPLUS curve closest to it (in this case the point lies precisely on the curve)
2. Follow the curve upwards until reaching the intersection with the limit curve of the circulator.
3. The head reading at this limit point is the set-point head that must be entered to obtain the desired operating point.



### 2 - $\Delta P$ -c constant differential pressure adjustment mode

The  $\Delta P$ -c adjustment mode keeps the differential pressure of the system constantly at the  $H_{setp}$  value set, even in case of variation of the flow rate.



This adjustment is particularly indicated for the following systems:

#### a. Two-pipe heating systems with thermostat valves and with:

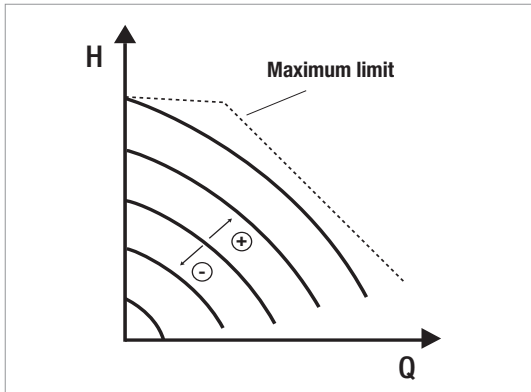
- head lower than 2 metres;
- natural circulation;
- low pressure drops in those parts of the system carrying the entirety of the water flow rate;
- high differential temperature (central heating).

#### b. underfloor heating systems with thermostat valves

#### c. single-pipe heating systems with thermostat valves and calibration valves

#### d. Systems with primary circuit pumps with low pressure drops.

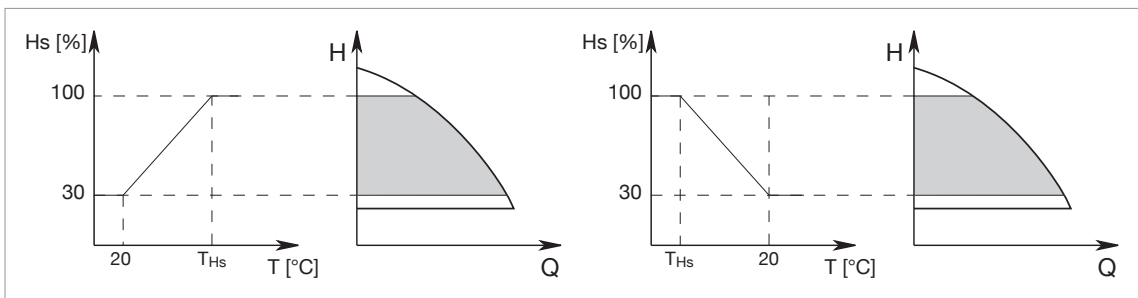
### 3 - Constant curve adjustment modes



In this control mode, the circulator works based on constant speed characteristic curves. The operation curve is selected by setting the rotation speed using a percentage factor. The 100 % value indicates the maximum limit curve. The actual rotation speed may be affected by the power and differential pressure limitations of the actual circulator model. The rotation speed may be set using the display, or either a 0-10 V or PWM external signal.

Control mode indicated for constant flow rate heating and air conditioning systems.

### 4 - Constant differential pressure control mode with proportional control based on the water temperature

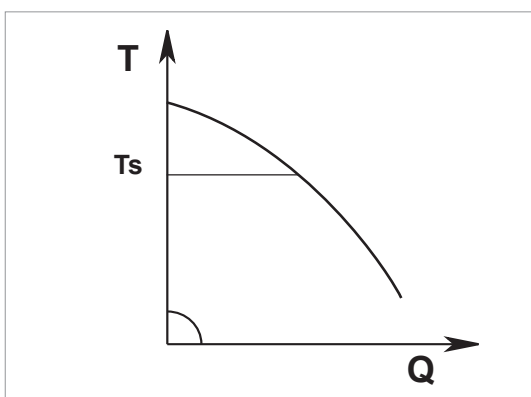


The circulator head set-point is reduced in accordance with the water temperature. The liquid temperature can be set between 0 °C to 100 °C.

This adjustment is particularly indicated for the following systems:

- in variable flow rate systems (two-pipe central heating systems), for which a further reduction of the circulator performance levels is provided in accordance with the lowering of the temperature of the circulating liquid, in case of reduced heating demand.
- in constant flow rate systems (single-pipe and under-floor central heating systems), where the performance of the circulator can only be adjusted by activating the temperature influence function. It is set through the EVOPLUS control panel.

### 5 - $\Delta T$ -c \* constant differential temperature adjustment mode



The  $\Delta T$ -c control mode keeps the pumped liquid at constant temperature, changing the flow rate to the Tsetp settable value.

This adjustment is particularly indicated for the following systems:

- Under-floor heating systems.
- Systems with circuit pumps with heat exchanger.
- Solar energy systems with storage tanks.
- Solar panel swimming pool heating systems.

\* Adjustment during implementation.

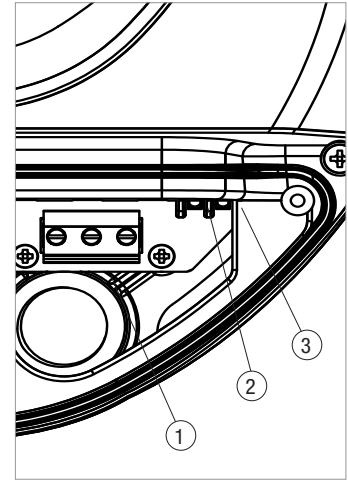
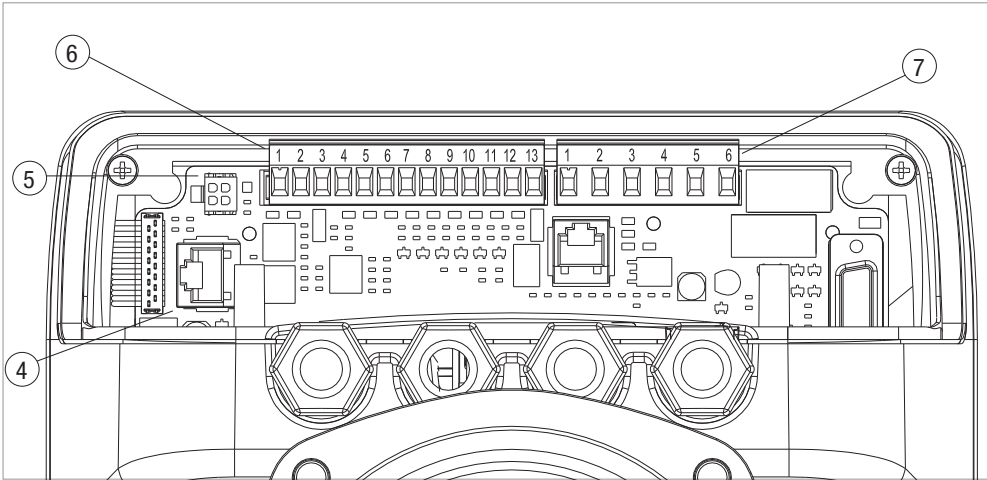
### ECONOMY MODE

The economy function can be set directly on the control panel, by setting a reduction value (f.rid), the maximum value of which can be 50%. In all the previously listed settings, the Hset value must be replaced with an Hset x f.rid.

# EVOPLUS / EVOPLUS SAN

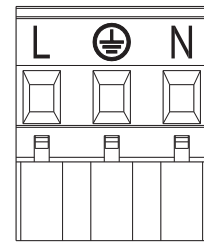
WET ROTOR ELECTRONIC CIRCULATORS

## CONNECTION DIAGRAM



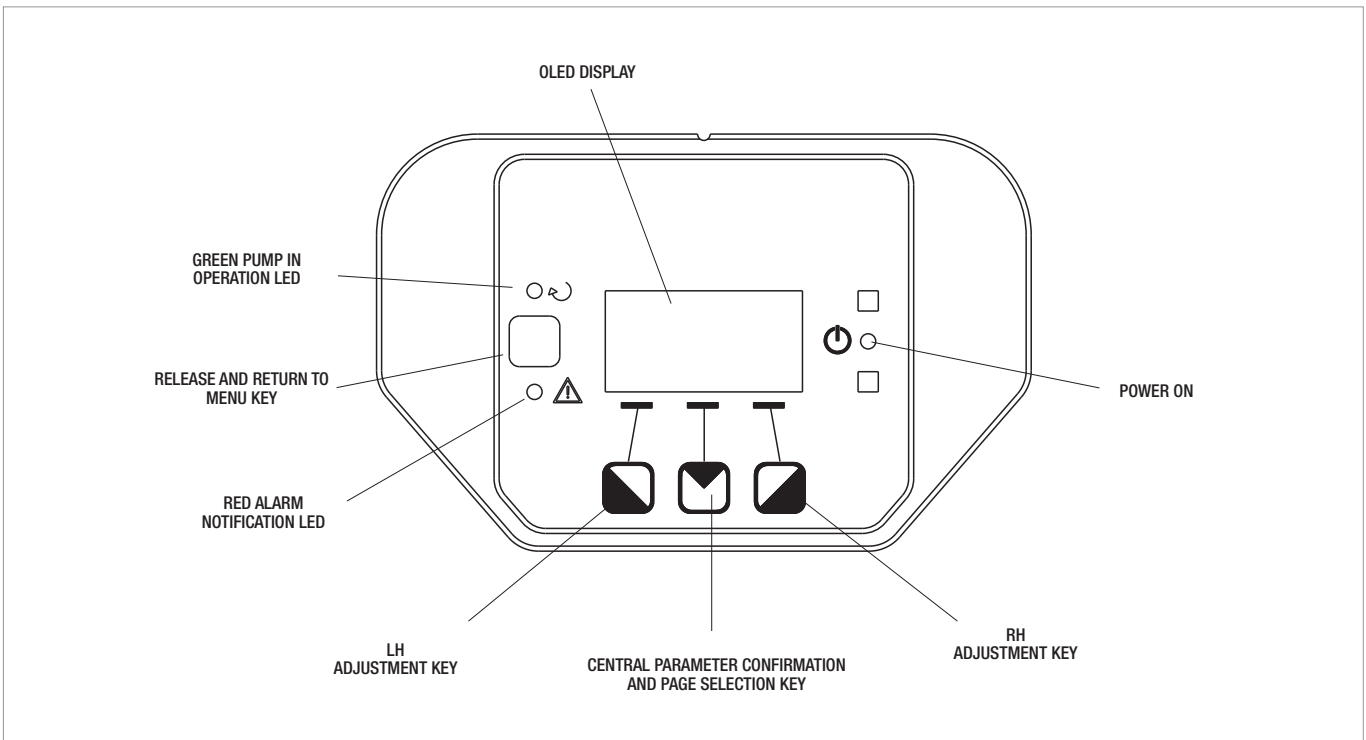
1	Removable terminal box for the connection of the power input line: 1x220-240 V, 50/60 Hz
2	Auxiliary LED
3	High voltage LED
4	Connector for twin circulators
5	Connector for pressure and temperature sensor on the circulator (as standard)
6	Removable 13-pole terminal box for the connection of MODBUS systems and inputs
7	Removable 6-pole terminal box for system status and alarm notification

### POWER INPUT CONNECTION



Removable power input terminal box

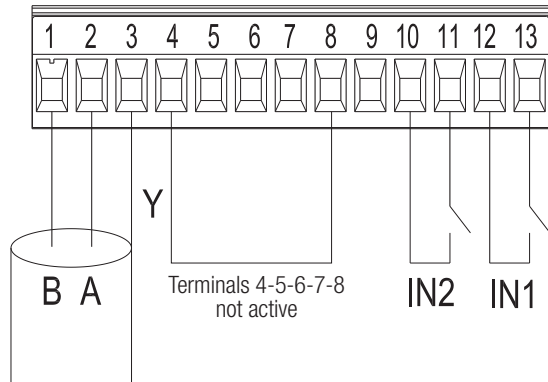
## USER INTERFACE



# EVOPLUS / EVOPLUS SAN

WET ROTOR ELECTRONIC CIRCULATORS

## Digital inputs



Input	Terminal no.	Type of contact	Associated function
IN1	12	Clean contact	<b>EXT:</b> If it is activated from the control panel, it will be possible to remotely control the switching on and off of the pump.
	13		
IN2	10	Clean contact	<b>Economy:</b> If it is activated from the control panel, it will be possible to remotely activate the set-point reduction function.
	11		

If the **EXT** and **Economy** functions have been activated using the control panel, the system will behave as follows:

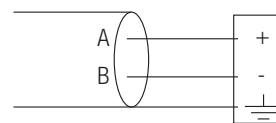
IN1	IN2	System status
Open	Open	Pump stopped
Open	Close	Pump stopped
Close	Open	Pump in operation with set-point set by the user
Close	Close	Pump in operation with reduced set-point

## MODBUS

EVOPLUS circulators provide serial communication through an RS-485 input. The communication is established in accordance with the MODBUS specifications. Using the MODBUS, it is possible to remotely set the circulator operating parameters, like the desired differential pressure, the temperature influence, the control mode, etc. At the same time, the circulator can provide important information on the status of the system.

Modbus terminals	Terminal no.	Description
A	2	Terminal not inverted (+)
B	1	Terminal inverted (+)
Y	3	GND

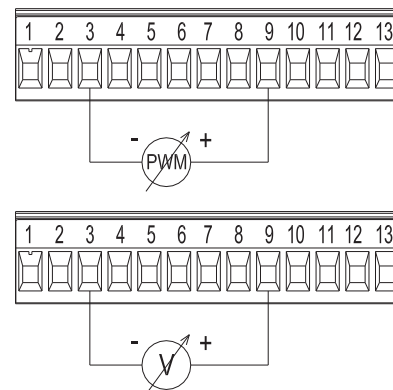
## LONBUS



Gateway/ Evoplus connection

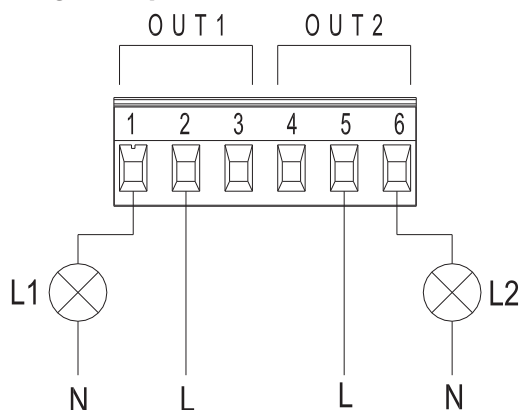
Using some modules available on the market, the circulator, and therefore its status, can also be made available to a LonWorks network. It will then be possible to change the parameters of the circulator by reading and amending the registers as indicated in the "Modbus Protocol instruction manual", available at the following address: "<http://www.dabpumps.it/evoplus>".

## ANALOGUE AND PWM INPUT



Connection diagram for the external 0-10 V and PWM signals. The 2 signals share the same terminals of the terminal box, and therefore are mutually exclusive.

## Digital outputs



Light L1 comes on when the system includes an alarm, and goes off when no faults are detected, while light L2 comes on when the pump is in operation, and goes off when the pump is stopped.

OUTPUT	TERMINAL NO.	TYPE OF CONTACT	ASSOCIATED FUNCTION
OUT1	1	NC	Presence/absence of system alarms
	2	COM	
	3	NO	
OUT2	4	NC	Pump in operation/Pump stopped
	5	COM	
	6	NO	

Outputs OUT1 and OUT2 are available on the 6-pole removable terminal box, where the type of contact is also shown (NC = Normally Closed, COM = Common, NO = Normally Open).

### CHARACTERISTICS OF THE OUTPUT CONTACTS

Max sustainable voltage [V]	250
Max sustainable current [A]	5 - If resistive load 2,5 - If inductive load
Max cable section accepted [mm <sup>2</sup> ]	1,5

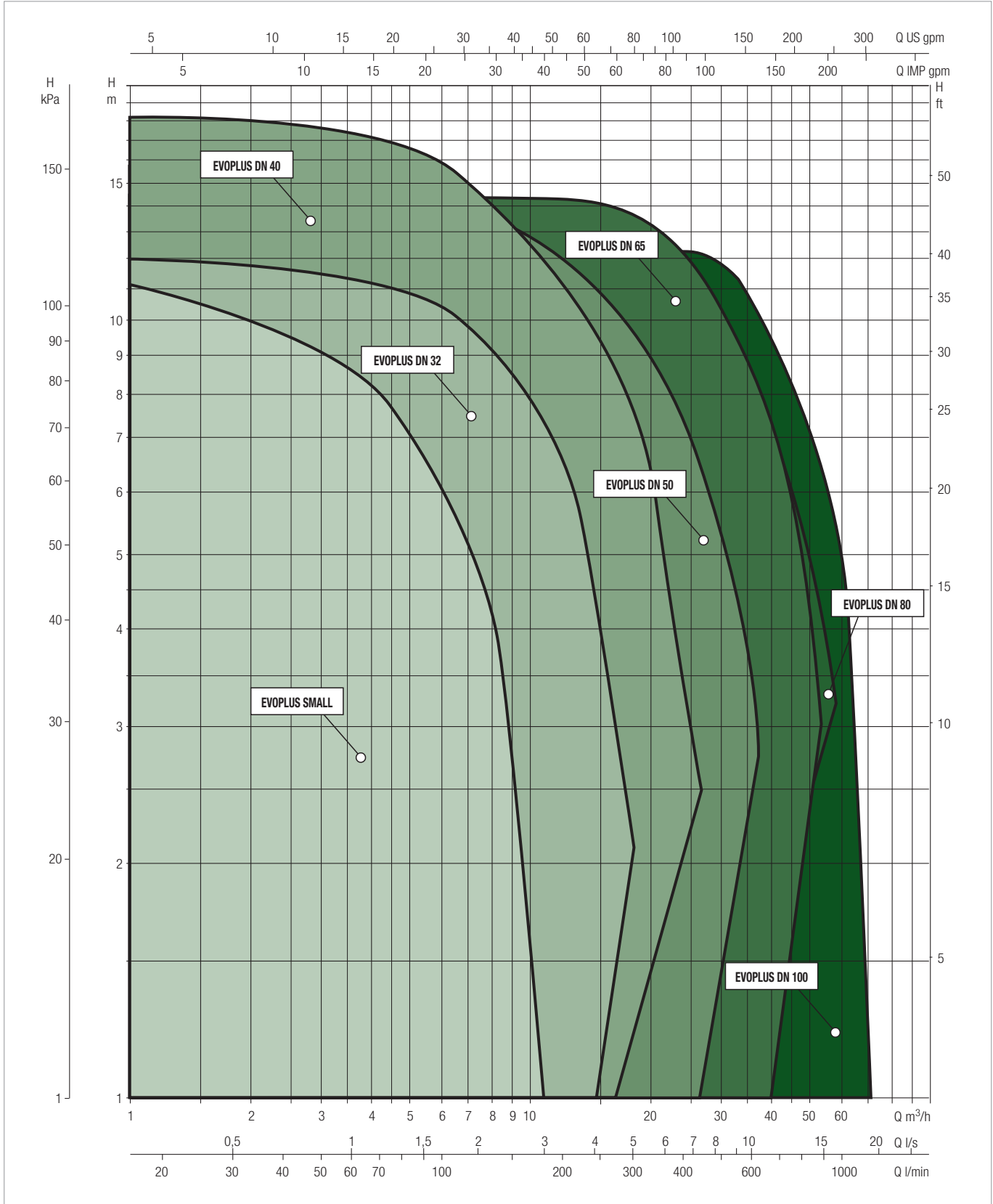
# EVOPLUS RANGE

## WET ROTOR ELECTRONIC CIRCULATORS

### PERFORMANCE RANGE

The performance curves are based on kinematic viscosity values = 1 mm<sup>2</sup>/s and density equal to 1000 kg/m<sup>3</sup>. Curve tolerance according to ISO 9906.

### GRAPHIC SELECTION TABLE



### SELECTION TABLE - EVOPLUS

MODEL	Q=m <sup>3</sup> h	0	4,2	5,4	7,2	9,6	12	14,4	18	24	30	36	42	54	72
	Q=l/min	0	70	90	120	160	200	240	300	400	500	600	700	900	1200
EVOPLUS B 120/220.32 M	H (m)	12,1	11,5	10,7	9,5	7,9	6,3	4,7	2,2						
EVOPLUS B 40/220.40 M		4	3,6	3,1	2,5	1,7									
EVOPLUS B 60/220.40 M		6		5,9	5,1	4,1	3	2							
EVOPLUS B 80/220.40 M		8		7,9	7,4	6,1	5	3,7	2						
EVOPLUS B 100/220.40 M		10			9,7	8,3	7	5,5	3,5						
EVOPLUS B 120/250.40 M		12			11,5	10,1	8,7	7,3	5,2						
EVOPLUS B 150/250.40 M		15			14,5	12,8	11,3	9,7	7,5	3,8					
EVOPLUS B 180/250.40 M		18		16,2	14,6	13	11,2	9,6	7,4	3,9					
EVOPLUS B 40/240.50 M		4		3,9	3,6	3,1	2,6	2,1	1,4						
EVOPLUS B 60/240.50 M		6				5,4	4,7	4	3,2	1,6					
EVOPLUS B 80/240.50 M		8			7,4	6,6	5,9	5,2	4,2	2,6					
EVOPLUS B 100/280.50 M		10			9,4	8,4	7,5	6,7	5,5	3,6	2				
EVOPLUS B 120/280.50 M		12			11	9,9	9	8,2	6,9	4,8	3				
EVOPLUS B 150/280.50 M		15,3			12,4	11,5	10,6	9,6	8,3	6,2	4,2				
EVOPLUS B 180/280.50 M		17,1			14	13	12	11,1	9,7	7,4	5,2	3,1			
EVOPLUS B 40/340.65 M		4			4	3,8	3,4	3	2,4	1,4					
EVOPLUS B 60/340.65 M		6				6	5,9	5,4	4,7	3,7	2,2				
EVOPLUS B 80/340.65 M		8				7,8	7,4	6,8	5,9	4,6	3,5	2			
EVOPLUS B 100/340.65 M		10,1				9,8	9,1	8,4	7,6	6,1	4,7	3,1			
EVOPLUS B 120/340.65 M		12				11,5	10,8	10	9	7,4	5,9	4,6	2,8		
EVOPLUS B 150/340.65 M		15,2					14,9	14,7	14	12,1	10,3	8,5	6,9		
EVOPLUS B 40/360.80 M		4							4	3,1	2,2	1,4			
EVOPLUS B 60/360.80 M		6							6	5,2	4	3	2		
EVOPLUS B 80/360.80 M		8							8	6,7	5,4	4,2	3,2		
EVOPLUS B 100/360.80 M		10								9,7	8,3	6,7	5,4	3	
EVOPLUS B 120/360.80 M		12,1								11,6	9,9	8,3	6,8	4,1	
EVOPLUS B 40/450.100 M		4									3,9	3	2		
EVOPLUS B 60/450.100 M		6									5,7	4,7	3,6	1,3	
EVOPLUS B 80/450.100 M		8									8	7,2	5,7	3,4	
EVOPLUS B 100/450.100 M		10,1									10,1	9,2	7,6	4,9	0,7
EVOPLUS B 120/450.100 M		12,2									11,8	10,4	8,7	5,9	1,5

# EVOPLUS / EVOPLUS SAN

WET ROTOR ELECTRONIC CIRCULATORS

## SELECTION TABLE - EVOPLUS

MODEL	Q=m³h	0	4,2	5,4	7,2	9,6	12	14,4	18	24	30	36	42	54	72	
	Q=l/min	0	70	90	120	160	200	240	300	400	500	600	700	900	1200	
EVOPLUS D 120/220.32 M	H (m)	12,1	11,5	10,7	9,5	7,9	6,3	4,7	2,2							
EVOPLUS D 40/220.40 M		4	3,6	3,1	2,5	1,7										
EVOPLUS D 60/220.40 M		6		5,9	5,1	4,1	3	2								
EVOPLUS D 80/220.40 M		8		7,9	7,4	6,1	5	3,7	2							
EVOPLUS D 100/220.40 M		10			9,7	8,3	7	5,5	3,5							
EVOPLUS D 120/250.40 M		12			11,5	10,1	8,7	7,3	5,2							
EVOPLUS D 150/250.40 M		15			14,5	12,8	11,3	9,7	7,5	3,8						
EVOPLUS D 180/250.40 M		18		16,2	14,6	13	11,2	9,6	7,4	3,9						
EVOPLUS D 40/240.50 M		4		3,9	3,6	3,1	2,6	2,1	1,4							
EVOPLUS D 60/240.50 M		6				5,4	4,7	4	3,2	1,6						
EVOPLUS D 80/240.50 M		8			7,4	6,6	5,9	5,2	4,2	2,6						
EVOPLUS D 100/280.50 M		10			9,4	8,4	7,5	6,7	5,5	3,6	2					
EVOPLUS D 120/280.50 M		12			11	9,9	9	8,2	6,9	4,8	3					
EVOPLUS D 150/280.50 M		15,3			12,4	11,5	10,6	9,6	8,3	6,2	4,2					
EVOPLUS D 180/280.50 M		17,1			14	13	12	11,1	9,7	7,4	5,2	3,1				
EVOPLUS D 40/340.65 M		4			4	3,8	3,4	3	2,4	1,4						
EVOPLUS D 60/340.65 M		6				6	5,9	5,4	4,7	3,7	2,2					
EVOPLUS D 80/340.65 M		8				7,8	7,4	6,8	5,9	4,6	3,5	2				
EVOPLUS D 100/340.65 M		10,1				9,8	9,1	8,4	7,6	6,1	4,7	3,1				
EVOPLUS D 120/340.65 M		12				11,5	10,8	10	9	7,4	5,9	4,6	2,8			
EVOPLUS D 150/340.65 M		15,2					14,9	14,7	14	12,1	10,3	8,5	6,9			
EVOPLUS D 40/360.80 M		4							4	3,1	2,2	1,4				
EVOPLUS D 60/360.80 M		6							6	5,2	4	3	2			
EVOPLUS D 80/360.80 M		8							8	6,7	5,4	4,2	3,2			
EVOPLUS D 100/360.80 M		10								9,7	8,3	6,7	5,4	3		
EVOPLUS D 120/360.80 M		12,1								11,6	9,9	8,3	6,8	4,1		
EVOPLUS D 40/450.100 M		4									3,9	3	2			
EVOPLUS D 60/450.100 M		6									5,7	4,7	3,6	1,3		
EVOPLUS D 80/450.100 M		8									8	7,2	5,7	3,4		
EVOPLUS D 100/450.100 M		10,1									10,1	9,2	7,6	4,9	0,7	
EVOPLUS D 120/450.100 M		12,2									11,8	10,4	8,7	5,9	1,5	



# EVOPLUS / EVOPLUS SAN

WET ROTOR ELECTRONIC CIRCULATORS

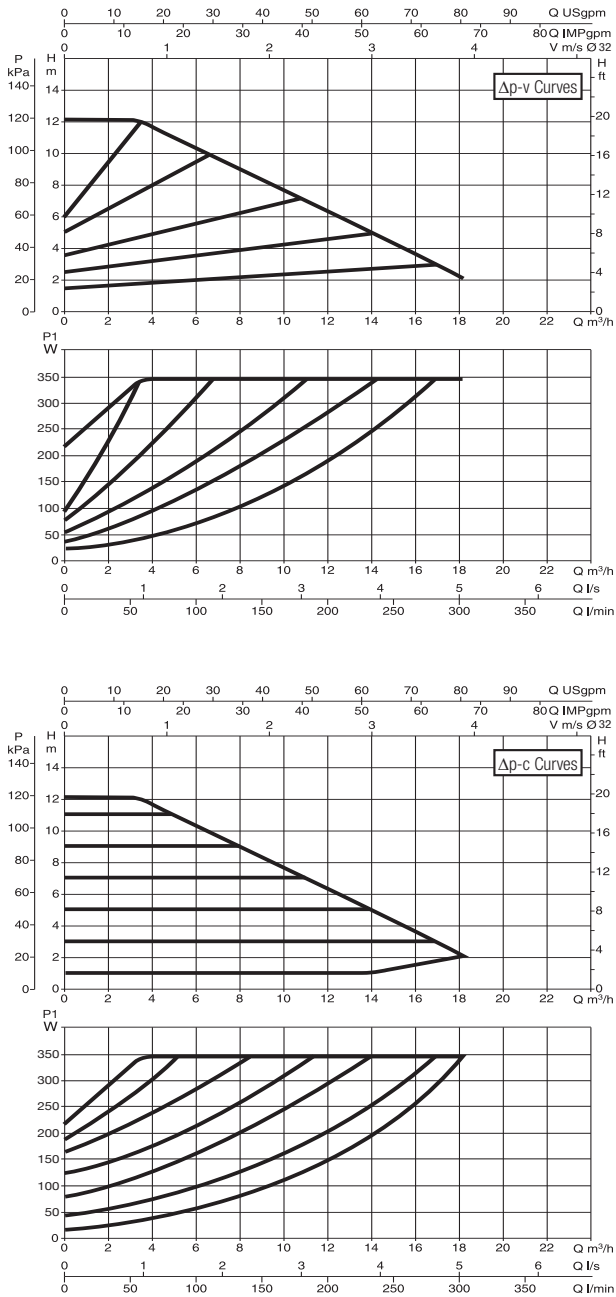
## SELECTION TABLE - EVOPLUS SAN

MODEL	Q=m <sup>3</sup> h	0	4,2	5,4	7,2	9,6	12	14,4	18	24	30	36	42	54	72
	Q=l/min	0	70	90	120	160	200	240	300	400	500	600	700	900	1200
EVOPLUS B 120/220.32 SAN M		12,1	11,5	10,7	9,5	7,9	6,3	4,7	2,2						
EVOPLUS B 120/250.40 SAN M		12			11,5	10,1	8,7	7,3	5,2						
EVOPLUS B 150/250.40 SAN M		15			14,5	12,8	11,3	9,7	7,5	3,8					
EVOPLUS B 180/250.40 SAN M		18		16,2	14,6	13	11,2	9,6	7,4	3,9					
EVOPLUS B 100/280.50 SAN M		10			9,4	8,4	7,5	6,7	5,5	3,6	2				
EVOPLUS B 120/280.50 SAN M		12			11	9,9	9	8,2	6,9	4,8	3				
EVOPLUS B 150/280.50 SAN M		15,3			12,4	11,5	10,6	9,6	8,3	6,2	4,2				
EVOPLUS B 180/280.50 SAN M		17,1			14	13	12	11,1	9,7	7,4	5,2	3,1			
EVOPLUS B 40/340.65 SAN M		4			4	3,8	3,4	3	2,4	1,4					
EVOPLUS B 60/340.65 SAN M		6				6	5,9	5,4	4,7	3,7	2,2				
EVOPLUS B 80/340.65 SAN M		8				7,8	7,4	6,8	5,9	4,6	3,5	2			
EVOPLUS B 100/340.65 SAN M		10,1				9,8	9,1	8,4	7,6	6,1	4,7	3,1			
EVOPLUS B 120/340.65 SAN M		12				11,5	10,8	10	9	7,4	5,9	4,6	2,8		
EVOPLUS B 150/340.65 SAN M		15,2					14,9	14,7	14	12,1	10,3	8,5	6,9		

# EVOPLUS - WET ROTOR ELECTRONIC CIRCULATORS

Pumped liquid temperature range: from -10 °C to +110 °C - Maximum operating pressure: 16 bar (1600 kPa)

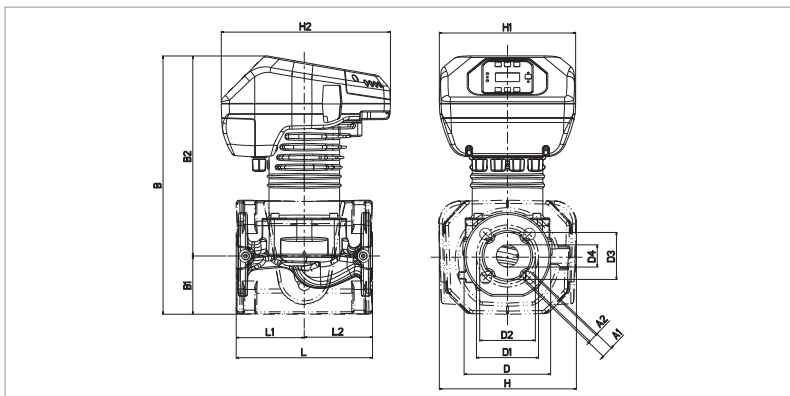
EVOPLUS B 120/220.32 M



The curves are based on kinematic viscosity values = 1 mm²/s and density equal to 1000 kg/m³. Curve tolerance according to ISO 9906. Fixed speed curves available on the DNA.

MODEL	CENTRE DISTANCE mm	COUNTERFLANGES ON REQUEST	POWER INPUT 50/60 Hz	P1 MAX W	In A	EEI*	MINIMUM SUCTION PRESSURE			WEIGHT Kg
							t°	90°	100°	
EVOPLUS B 120/220.32 M	220	DN32 PN 6	220/240 V	340	1,7	EEI ≤ 0,22	m.c.w.	20	25	24

The parameter of reference for the more efficient circulators is EEI ≤ 0,20.

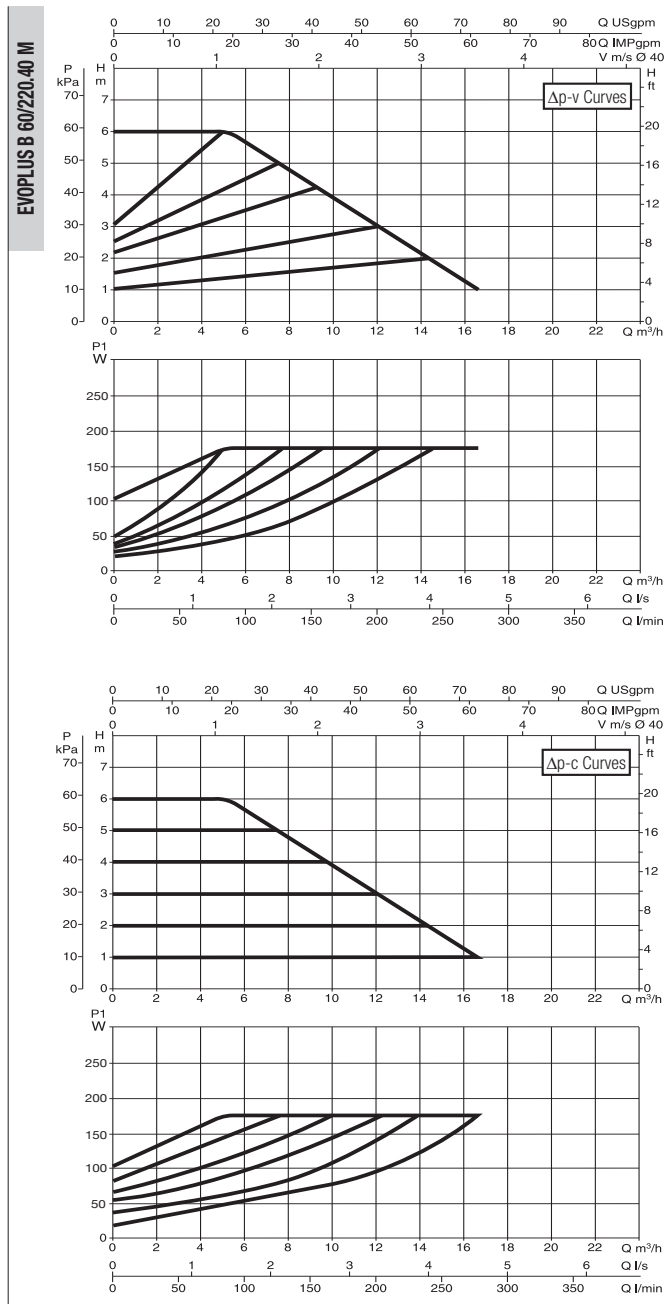
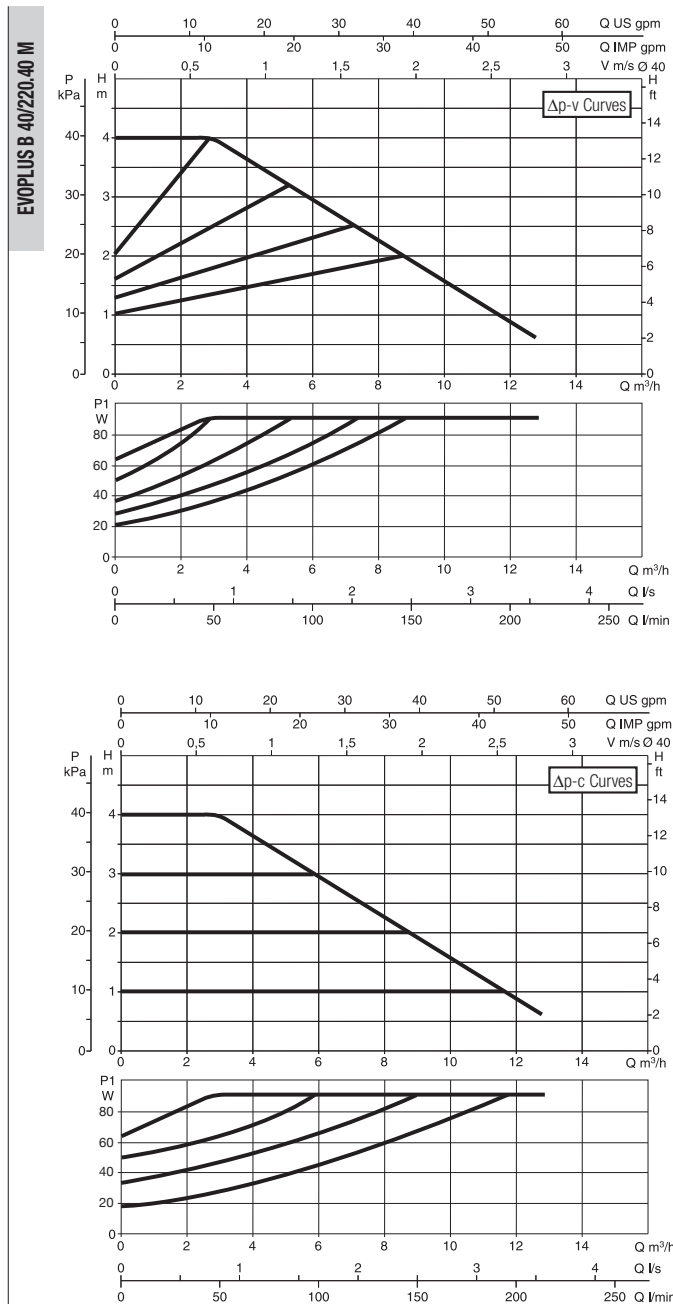


L	L1	L2	A1	A2	B	B1	B2
220	110	110	19	14	417	94	323

D	D1	D2	D3	D4	H	H1	H2
140	100	90	76	36	222	220	273

# EVOPLUS - WET ROTOR ELECTRONIC CIRCULATORS

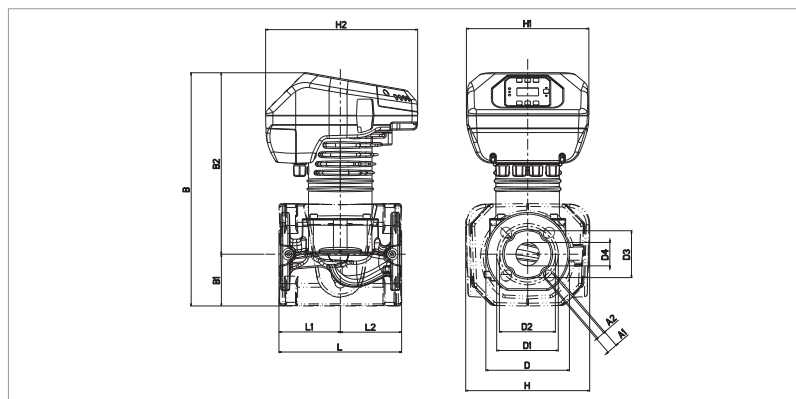
Pumped liquid temperature range: from -10 °C to +110 °C - Maximum operating pressure: 16 bar (1600 kPa)



The curves are based on kinematic viscosity values = 1 mm²/s and density equal to 1000 kg/m³. Curve tolerance according to ISO 9906. Fixed speed curves available on the DNA.

MODEL	CENTRE DISTANCE mm	COUNTERFLANGES ON REQUEST	POWER INPUT 50/60 Hz	P1 MAX W	In A	EEI *	MINIMUM SUCTION PRESSURE			WEIGHT Kg
							t°	90°	100°	
EVOPLUS B 40/220.40 M	220	DN40 PN 10	220/240 V	90	0,7	EEI ≤ 0,23	m.c.w.	20	25	20,8
EVOPLUS B 60/220.40 M	220	DN40 PN 10	220/240 V	175	1	EEI ≤ 0,23	m.c.w.	20	25	20,8

The parameter of reference for the more efficient circulators is EEI ≤ 0,20.

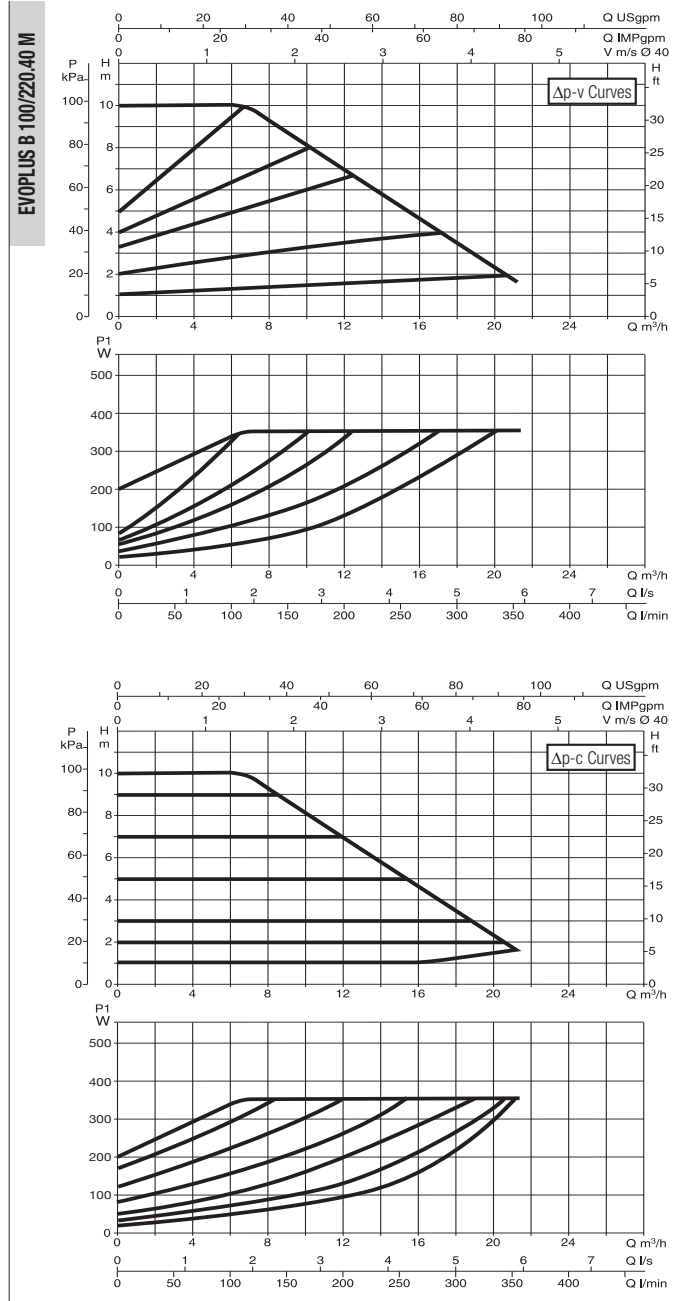
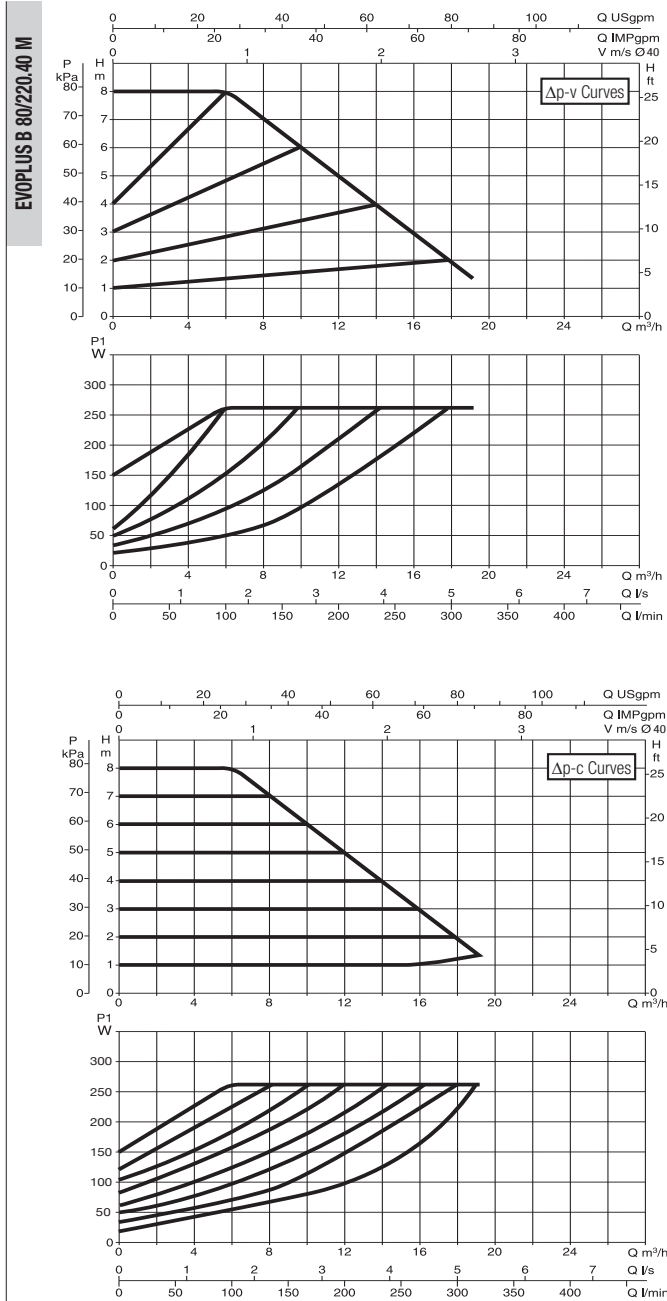


L	L1	L2	A1	A2	B	B1	B2
220	110	110	19	14	419	93	326

D	D1	D2	D3	D4	H	H1	H2
150	110	100	84	42	222	220	273

# EVOPLUS - WET ROTOR ELECTRONIC CIRCULATORS

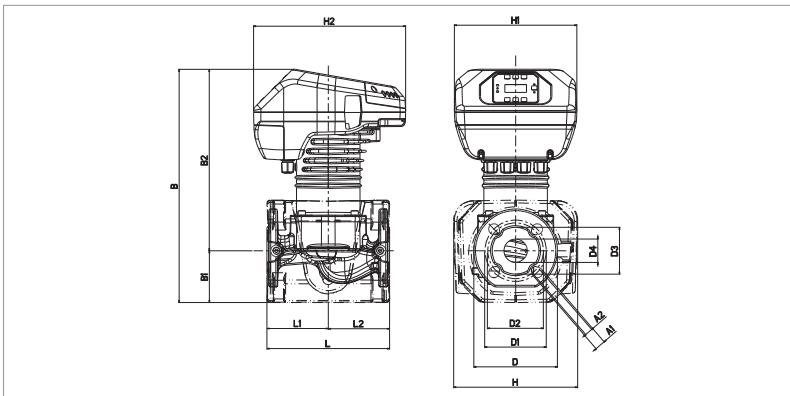
Pumped liquid temperature range: from -10 °C to +110 °C - Maximum operating pressure: 16 bar (1600 kPa)



The curves are based on kinematic viscosity values = 1 mm²/s and density equal to 1000 kg/m³. Curve tolerance according to ISO 9906. Fixed speed curves available on the DNA.

MODEL	CENTRE DISTANCE mm	COUNTERFLANGES ON REQUEST	POWER INPUT 50/60 Hz	P1 MAX W	In A	EEI*	MINIMUM SUCTION PRESSURE			WEIGHT Kg
							t°	90°	100°	
EVOPLUS B 80/220.40 M	220	DN40 PN 10	220/240 V	260	1,35	EEI ≤ 0,21	m.c.w.	20	25	20,8
EVOPLUS B 100/220.40 M	220	DN40 PN 10	220/240 V	350	1,75	EEI ≤ 0,20	m.c.w.	20	25	20,8

The parameter of reference for the more efficient circulators is EEI ≤ 0,20.



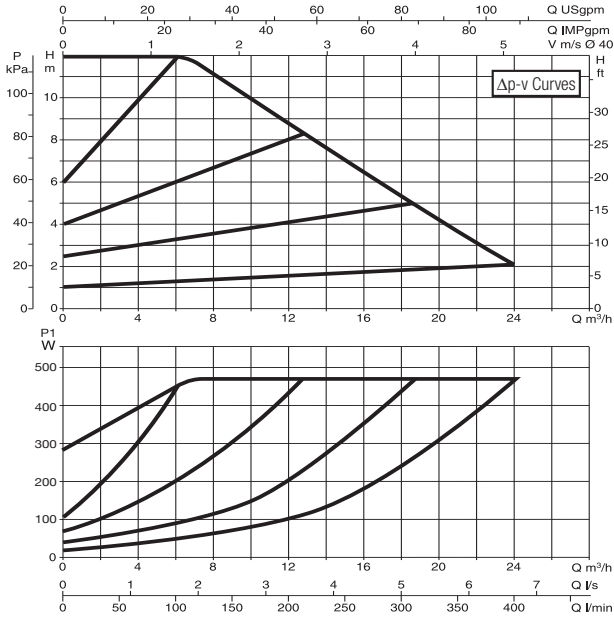
L	L1	L2	A1	A2	B	B1	B2
220	110	110	19	14	419	93	326

D	D1	D2	D3	D4	H	H1	H2
150	110	100	84	42	222	220	273

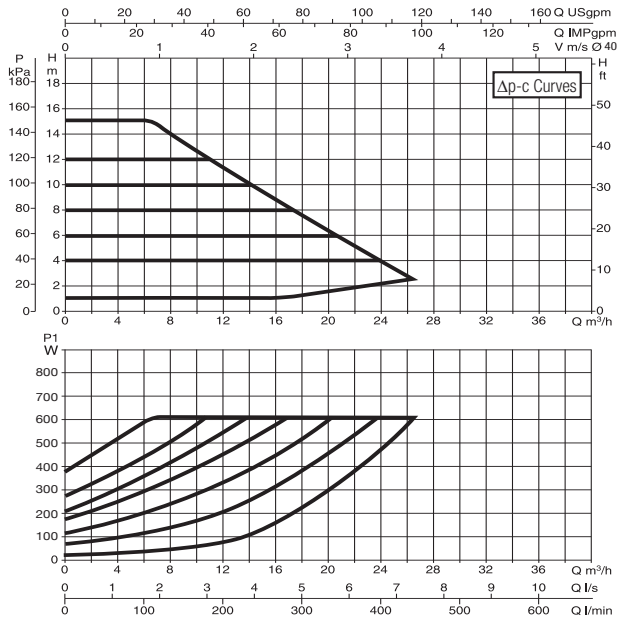
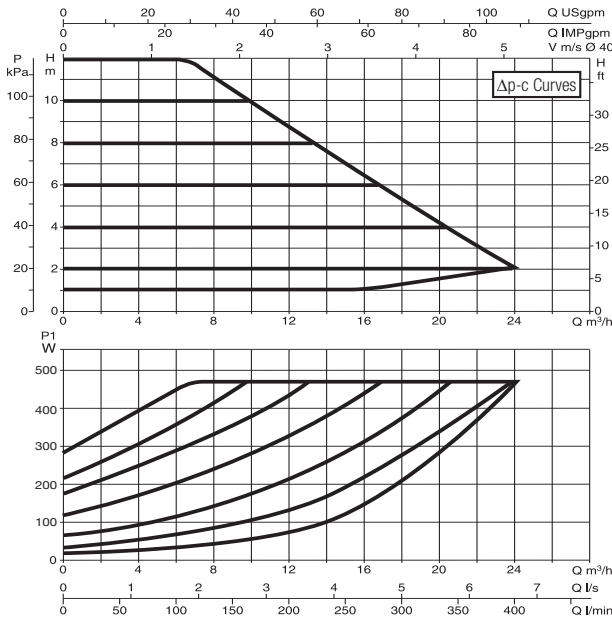
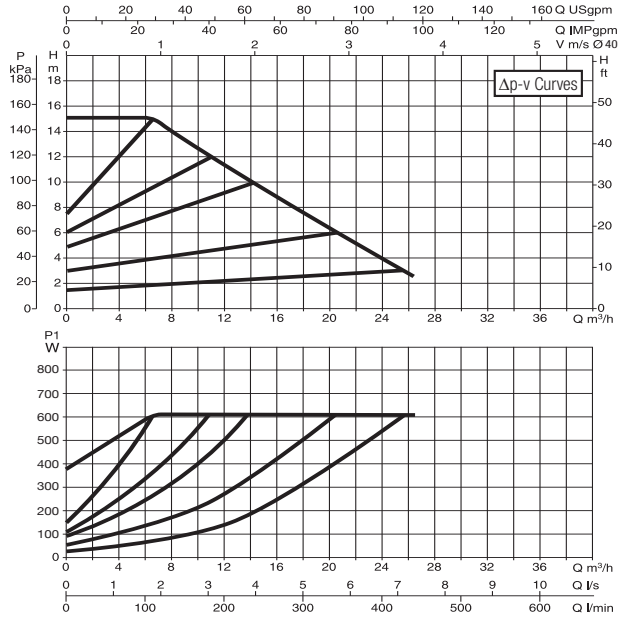
# EVOPLUS - WET ROTOR ELECTRONIC CIRCULATORS

Pumped liquid temperature range: from -10 °C to +110 °C - Maximum operating pressure: 16 bar (1600 kPa)

EVOPLUS B 120/250.40 M



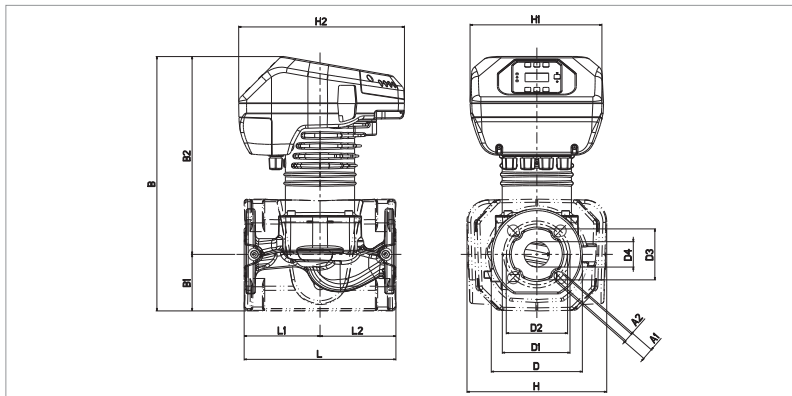
EVOPLUS B 150/250.40 M



The curves are based on kinematic viscosity values = 1 mm<sup>2</sup>/s and density equal to 1000 kg/m<sup>3</sup>. Curve tolerance according to ISO 9906. Fixed speed curves available on the DNA.

MODEL	CENTRE DISTANCE mm	COUNTERFLANGES ON REQUEST	POWER INPUT 50/60 Hz	P1 MAX W	In A	EEI*	MINIMUM SUCTION PRESSURE			WEIGHT Kg
							t°	90°	100°	
EVOPLUS B 120/250.40 M	250	DN40 PN 10	220/240 V	465	2,2	EEI ≤ 0,20	m.c.w.	20	25	20
EVOPLUS B 150/250.40 M	250	DN40 PN 10	220/240 V	610	2,9	EEI ≤ 0,20	m.c.w.	20	25	20

The parameter of reference for the more efficient circulators is EEI ≤ 0,20.

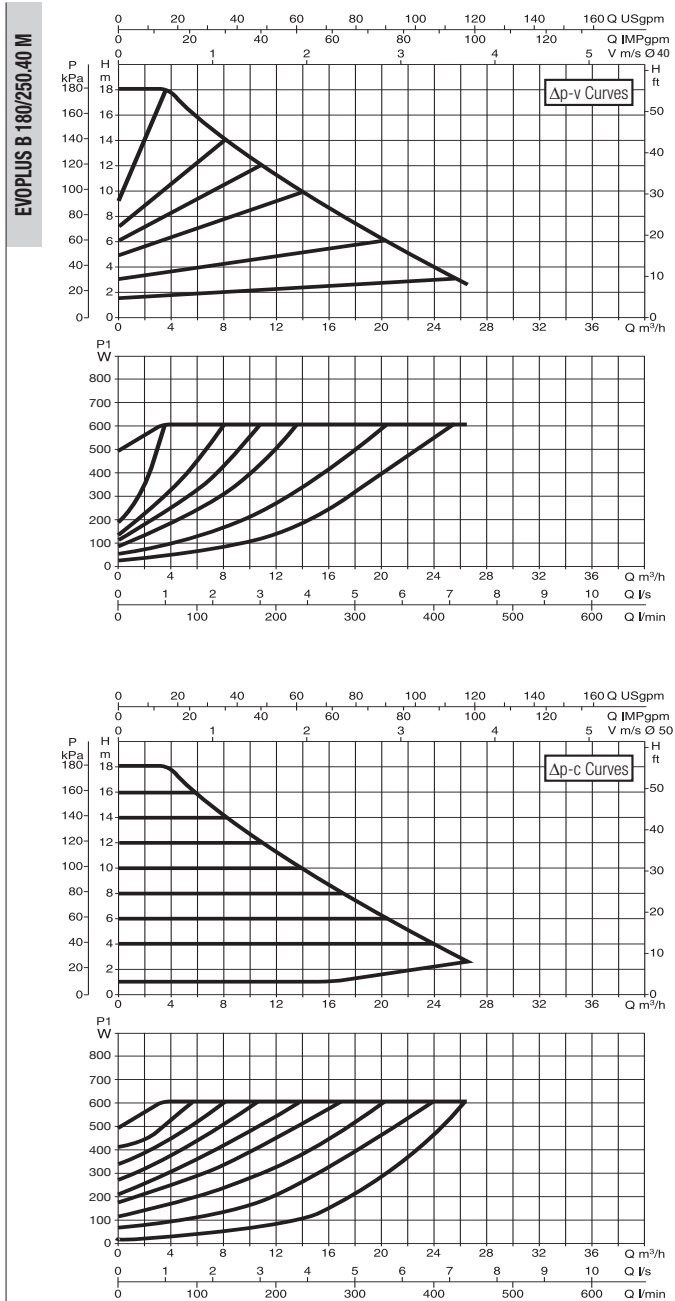


L	L1	L2	A1	A2	B	B1	B2
250	125	125	19	14	419	93	326

D	D1	D2	D3	D4	H	H1	H2
150	110	100	84	42	230	220	273

# EVOPLUS - WET ROTOR ELECTRONIC CIRCULATORS

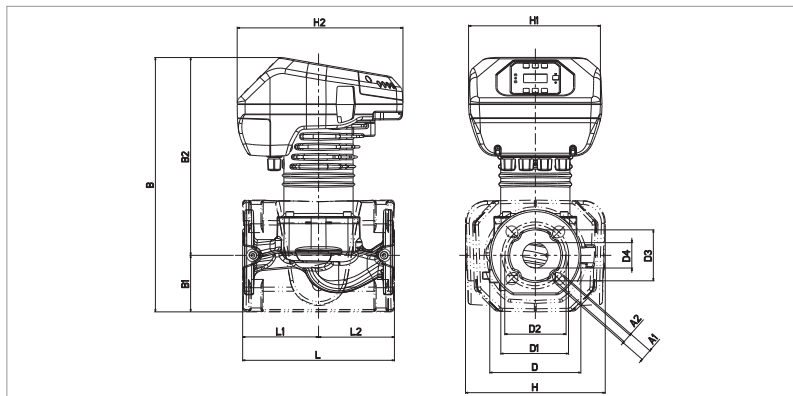
Pumped liquid temperature range: from -10 °C to +110 °C - Maximum operating pressure: 16 bar (1600 kPa)



The curves are based on kinematic viscosity values = 1 mm<sup>2</sup>/s and density equal to 1000 kg/m<sup>3</sup>. Curve tolerance according to ISO 9906. Fixed speed curves available on the DNA.

MODEL	CENTRE DISTANCE mm	COUNTERFLANGES ON REQUEST	POWER INPUT 50/60 Hz	P1 MAX W	In A	EEI*	MINIMUM SUCTION PRESSURE			WEIGHT Kg
							t°	90°	100°	
<b>EVOPLUS B 180/250.40 M</b>	250	DN40 PN 10	220/240 V	610	2,9	EEI ≤ 0,20	m.c.w.	20	25	20

The parameter of reference for the more efficient circulators is EEI ≤ 0,20.



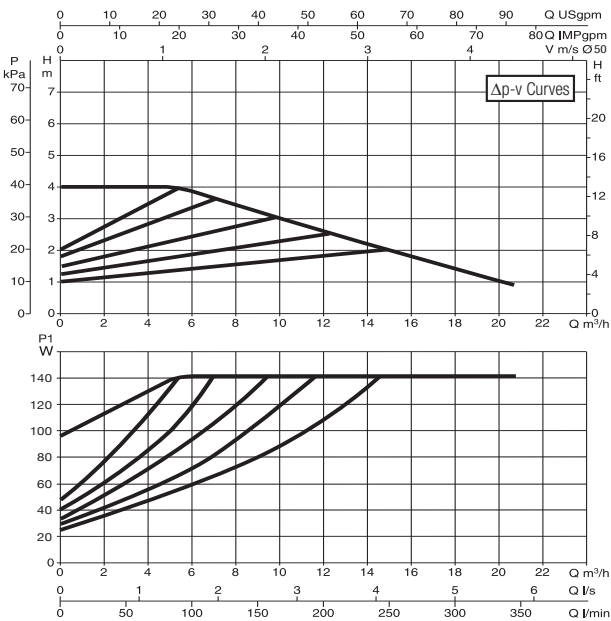
L	L1	L2	A1	A2	B	B1	B2
250	125	125	19	14	419	93	326

D	D1	D2	D3	D4	H	H1	H2
150	110	100	84	42	230	220	273

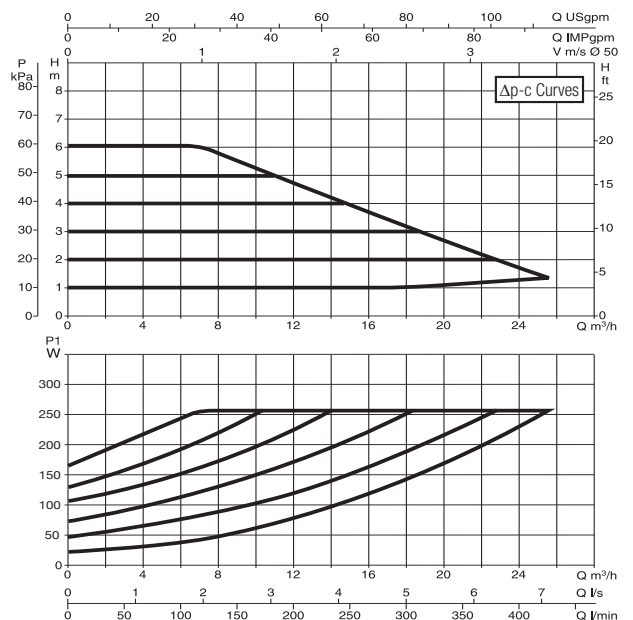
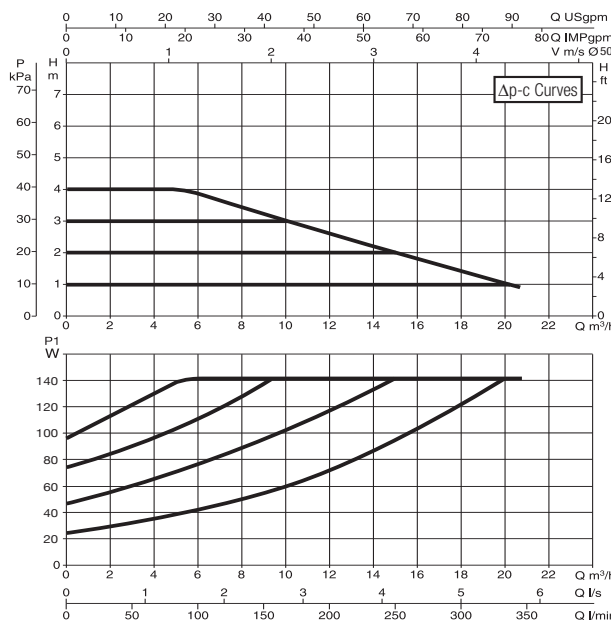
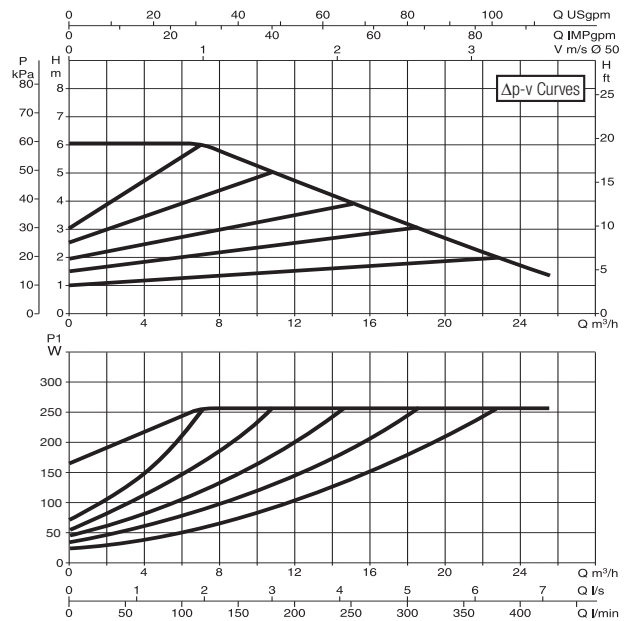
# EVOPLUS - WET ROTOR ELECTRONIC CIRCULATORS

Pumped liquid temperature range: from -10 °C to +110 °C - Maximum operating pressure: 16 bar (1600 kPa)

EVOPLUS B 40/240.50 M



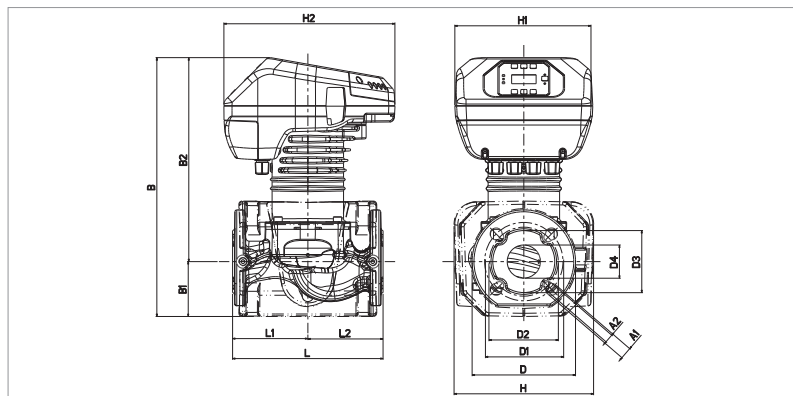
EVOPLUS B 60/240.50 M



The curves are based on kinematic viscosity values = 1 mm<sup>2</sup>/s and density equal to 1000 kg/m<sup>3</sup>. Curve tolerance according to ISO 9906. Fixed speed curves available on the DNA.

MODEL	CENTRE DISTANCE mm	COUNTERFLANGES ON REQUEST	POWER INPUT 50/60 Hz	P1 MAX W	In A	EEI*	MINIMUM SUCTION PRESSURE			WEIGHT Kg
							t°	90°	100°	
EVOPLUS B 40/240.50 M	240	DN50 PN 10	220/240 V	140	0,87	EEI ≤ 0,23	m.c.w.	20	25	21,4
EVOPLUS B 60/240.50 M	240	DN50 PN 10	220/240 V	260	1,35	EEI ≤ 0,21	m.c.w.	20	25	21,4

\*The parameter of reference for the more efficient circulators is EEI ≤ 0,20.



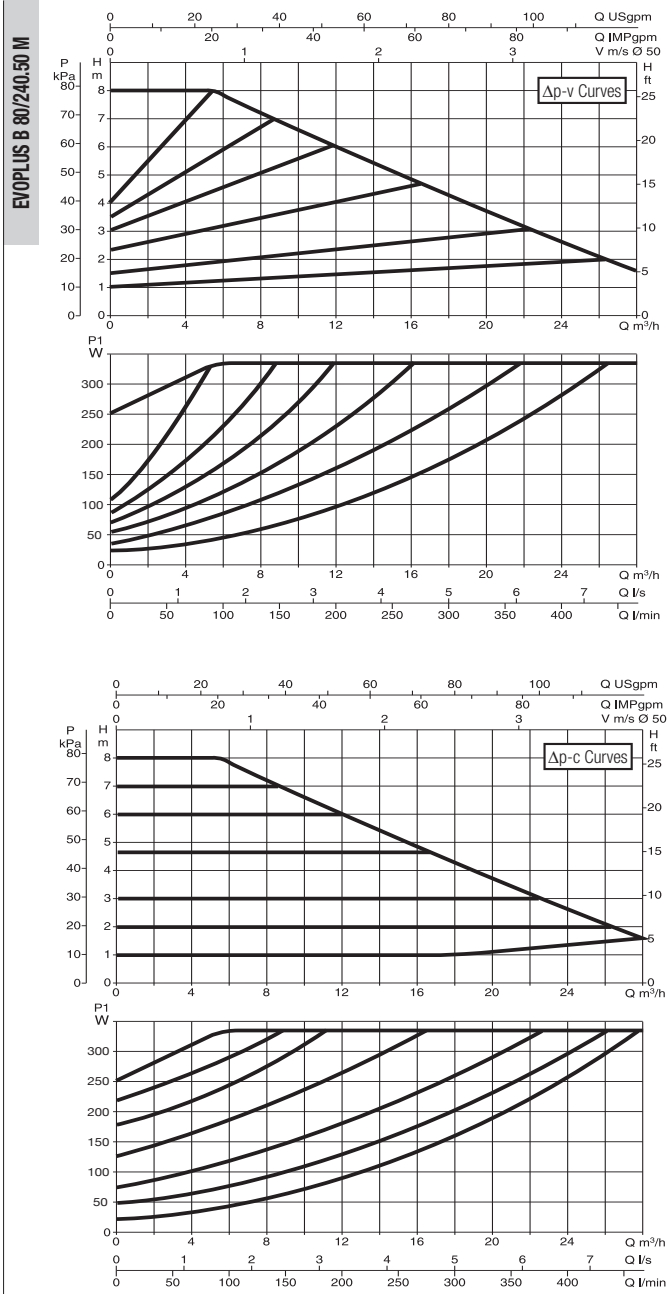
L	L1	L2	A1	A2	B	B1	B2
240	120	120	19	14	413	87	325

D	D1	D2	D3	D4	H	H1	H2
165	125	110	99	53	222	220	273



# EVOPLUS - WET ROTOR ELECTRONIC CIRCULATORS

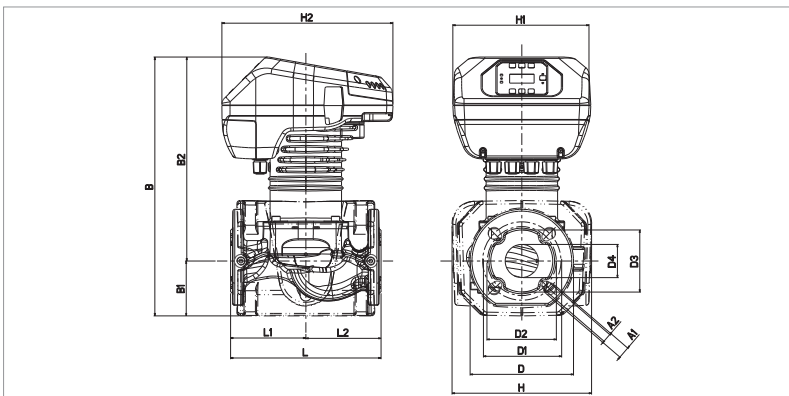
Pumped liquid temperature range: from -10 °C to +110 °C - Maximum operating pressure: 16 bar (1600 kPa)



The curves are based on kinematic viscosity values = 1 mm²/s and density equal to 1000 kg/m³. Curve tolerance according to ISO 9906. Fixed speed curves available on the DNA.

MODEL	CENTRE DISTANCE mm	COUNTERFLANGES ON REQUEST	POWER INPUT 50/60 Hz	P1 MAX W	In A	EEI*	MINIMUM SUCTION PRESSURE			WEIGHT Kg
							t°	90°	100°	
<b>EVOPLUS B 80/240.50 M</b>	240	DN50 PN 10	220/240 V	330	0,87	EEI ≤ 0,21	m.c.w.	20	25	21,4

\*The parameter of reference for the more efficient circulators is EEI ≤ 0,20.



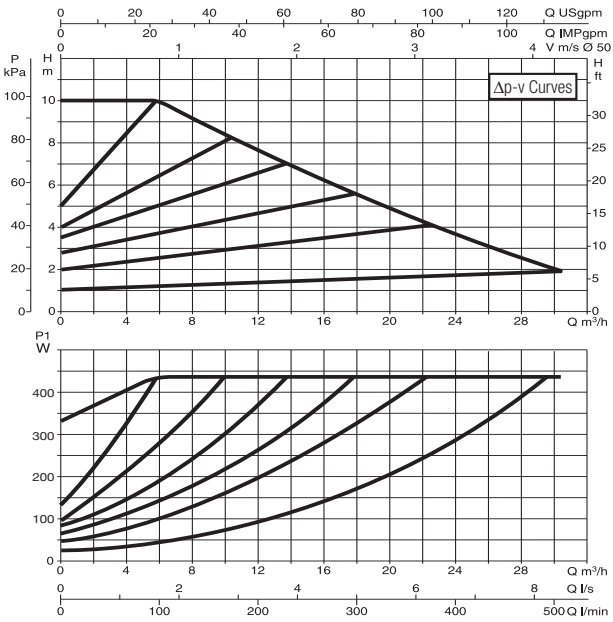
L	L1	L2	A1	A2	B	B1	B2
240	120	120	19	14	413	87	325

D	D1	D2	D3	D4	H	H1	H2
165	125	110	99	53	222	220	273

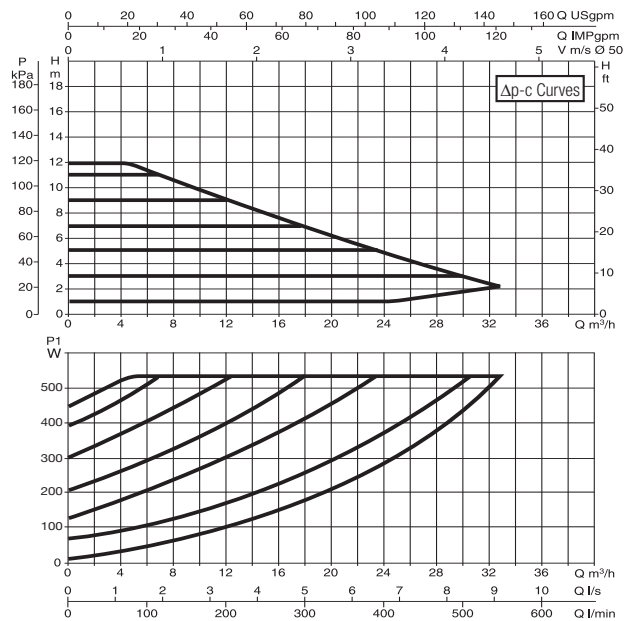
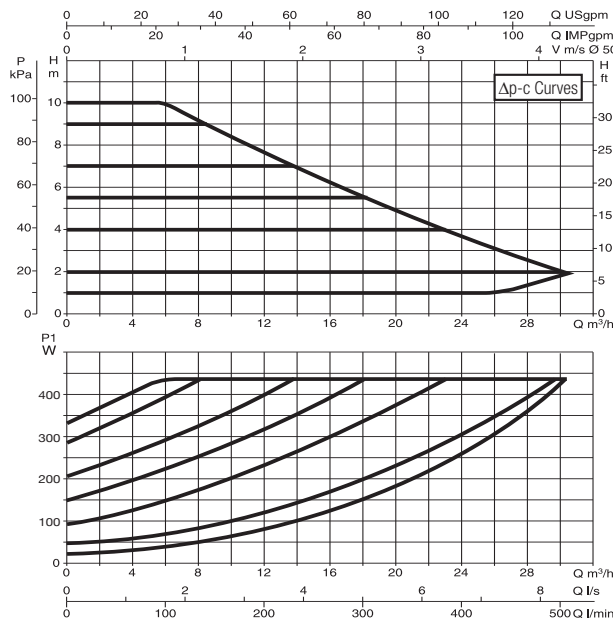
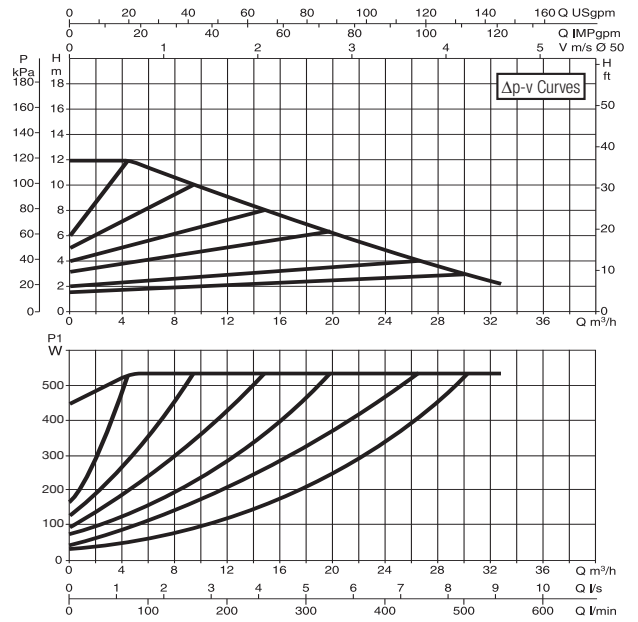
# EVOPLUS - WET ROTOR ELECTRONIC CIRCULATORS

Pumped liquid temperature range: from -10 °C to +110 °C - Maximum operating pressure: 16 bar (1600 kPa)

EVOPLUS B 100/280.50 M



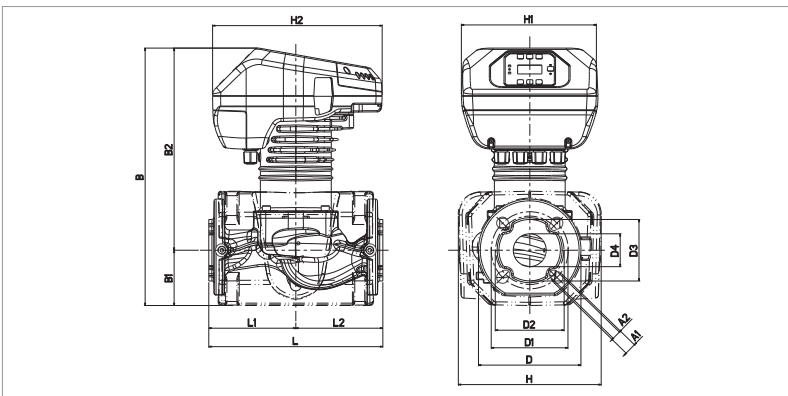
EVOPLUS B 120/280.50 M



The curves are based on kinematic viscosity values = 1 mm<sup>2</sup>/s and density equal to 1000 kg/m<sup>3</sup>. Curve tolerance according to ISO 9906. Fixed speed curves available on the DNA.

MODEL	CENTRE DISTANCE mm	COUNTERFLANGES ON REQUEST	POWER INPUT 50/60 Hz	P1 MAX W	In A	EEI*	MINIMUM SUCTION PRESSURE			WEIGHT Kg
							t°	90°	100°	
EVOPLUS B 100/280.50 M	280	DN50 PN 10	220/240 V	430	2,1	EEI ≤ 0,20	m.c.w.	20	25	22
EVOPLUS B 120/280.50 M	280	DN50 PN 10	220/240 V	530	2,5	EEI ≤ 0,19	m.c.w.	20	25	21,8

\* The parameter of reference for the more efficient circulators is EEI ≤ 0,20.

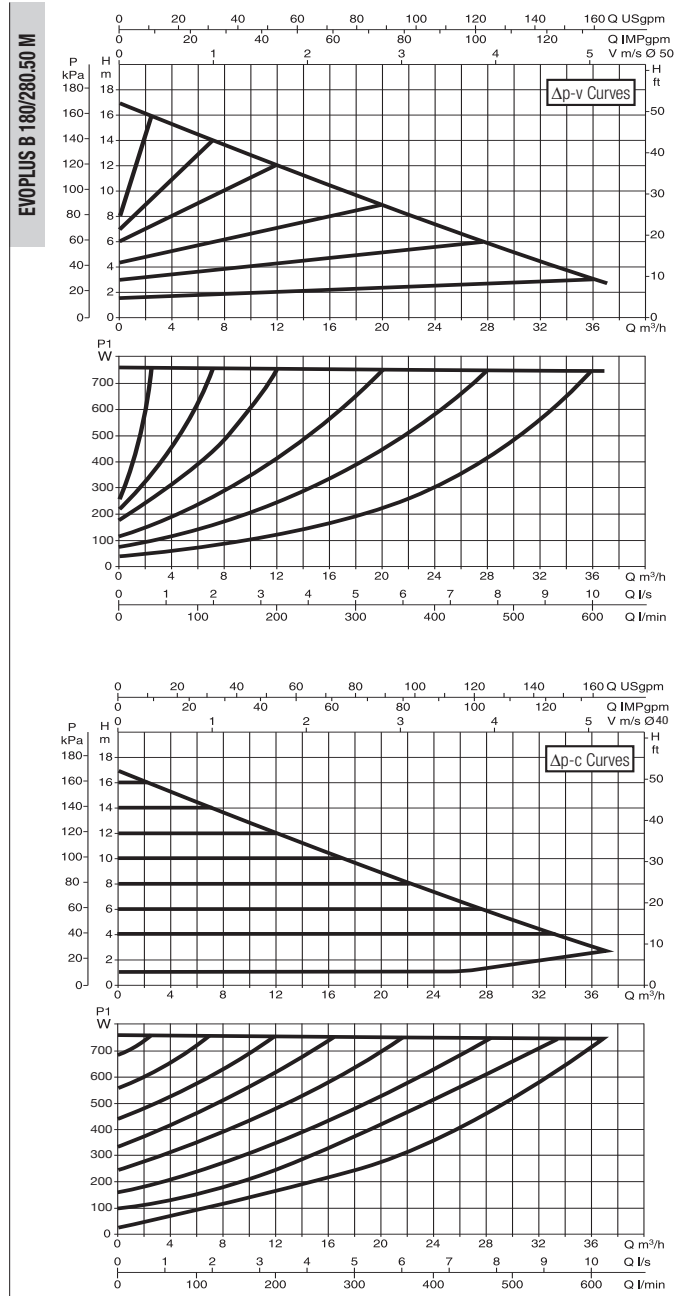
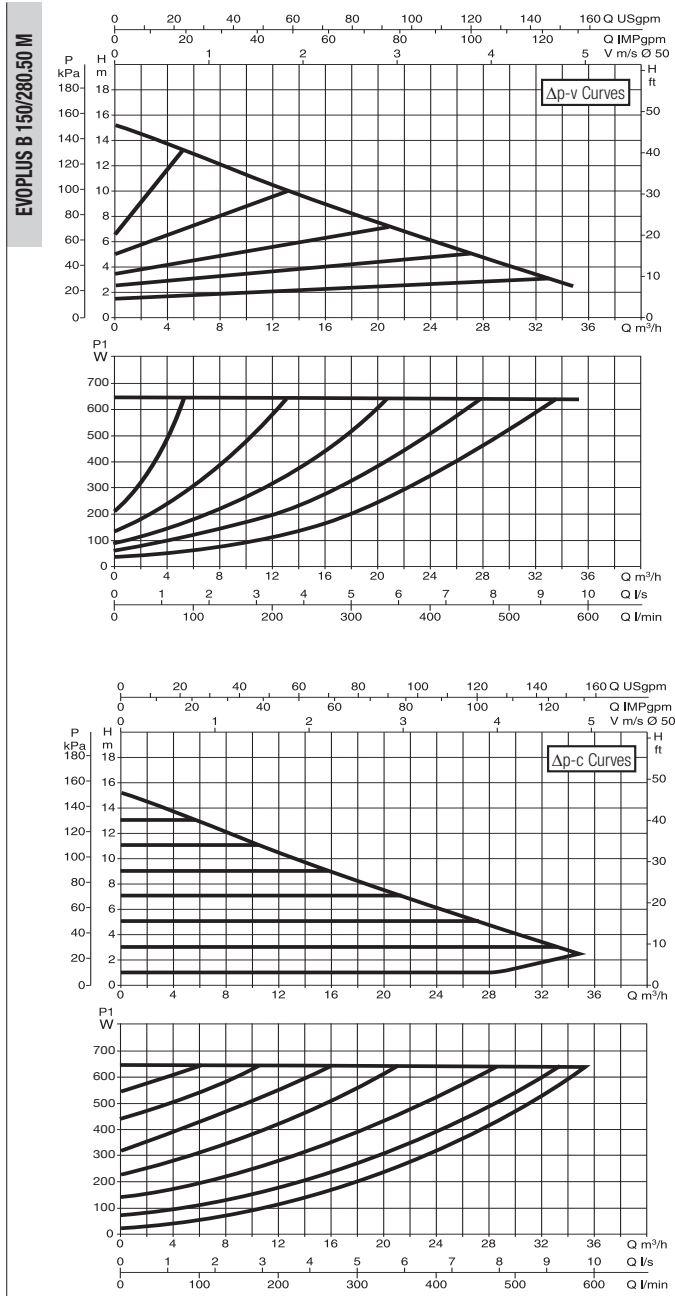


L	L1	L2	A1	A2	B	B1	B2
280	140	140	19	14	413	87	325

D	D1	D2	D3	D4	H	H1	H2
165	125	110	99	53	230	220	273

# EVOPLUS - WET ROTOR ELECTRONIC CIRCULATORS

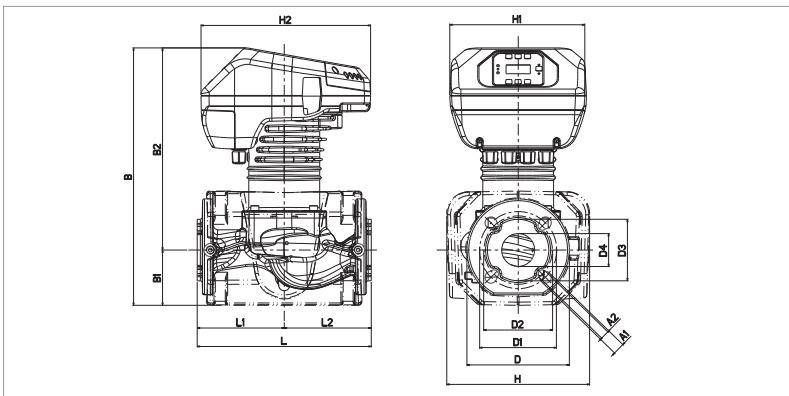
Pumped liquid temperature range: from -10 °C to +110 °C - Maximum operating pressure: 16 bar (1600 kPa)



The curves are based on kinematic viscosity values = 1 mm<sup>2</sup>/s and density equal to 1000 kg/m<sup>3</sup>. Curve tolerance according to ISO 9906. Fixed speed curves available on the DNA.

MODEL	CENTRE DISTANCE mm	COUNTERFLANGES ON REQUEST	POWER INPUT 50/60 Hz	P1 MAX W	In A	EEI*	MINIMUM SUCTION PRESSURE			WEIGHT Kg
							t°	90°	100°	
EVOPLUS B 150/280.50 M	280	DN50 PN 10	220/240 V	640	3	EEI ≤ 0,19	m.c.w.	20	25	22,8
EVOPLUS B 180/280.50 M	280	DN50 PN 10	220/240 V	750	3,45	EEI ≤ 0,19	m.c.w.	20	25	22,8

\* The parameter of reference for the more efficient circulators is EEI ≤ 0,20.



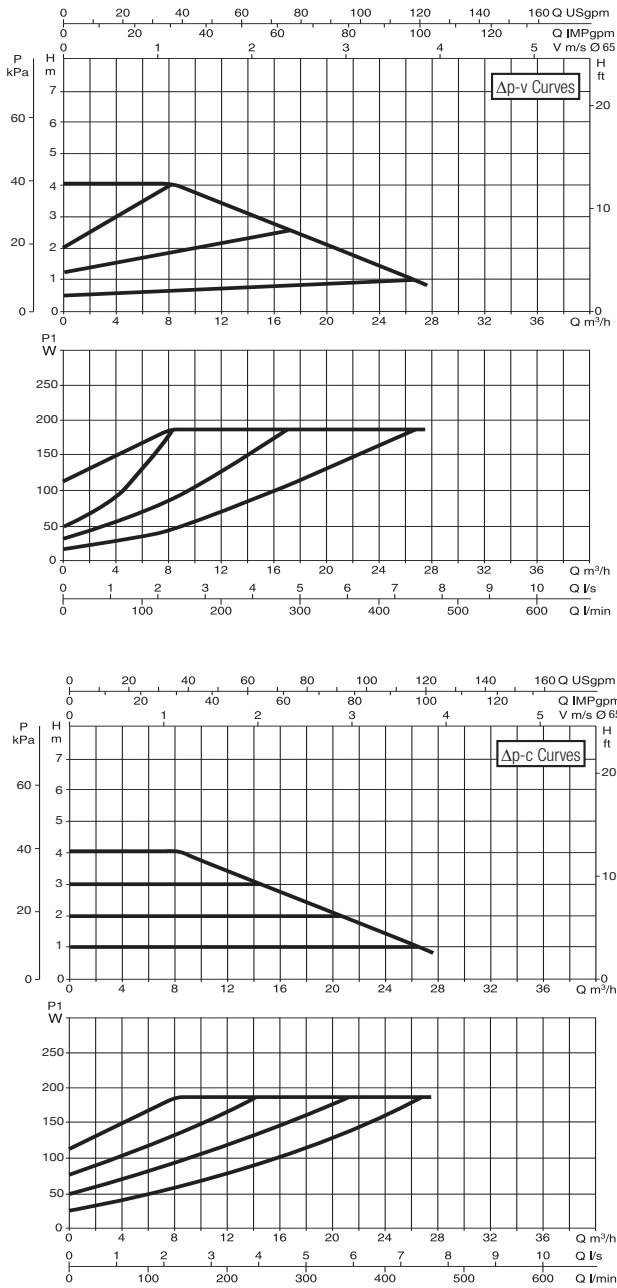
L	L1	L2	A1	A2	B	B1	B2
280	140	140	19	14	413	87	325

D	D1	D2	D3	D4	H	H1	H2
165	125	110	99	53	230	220	273

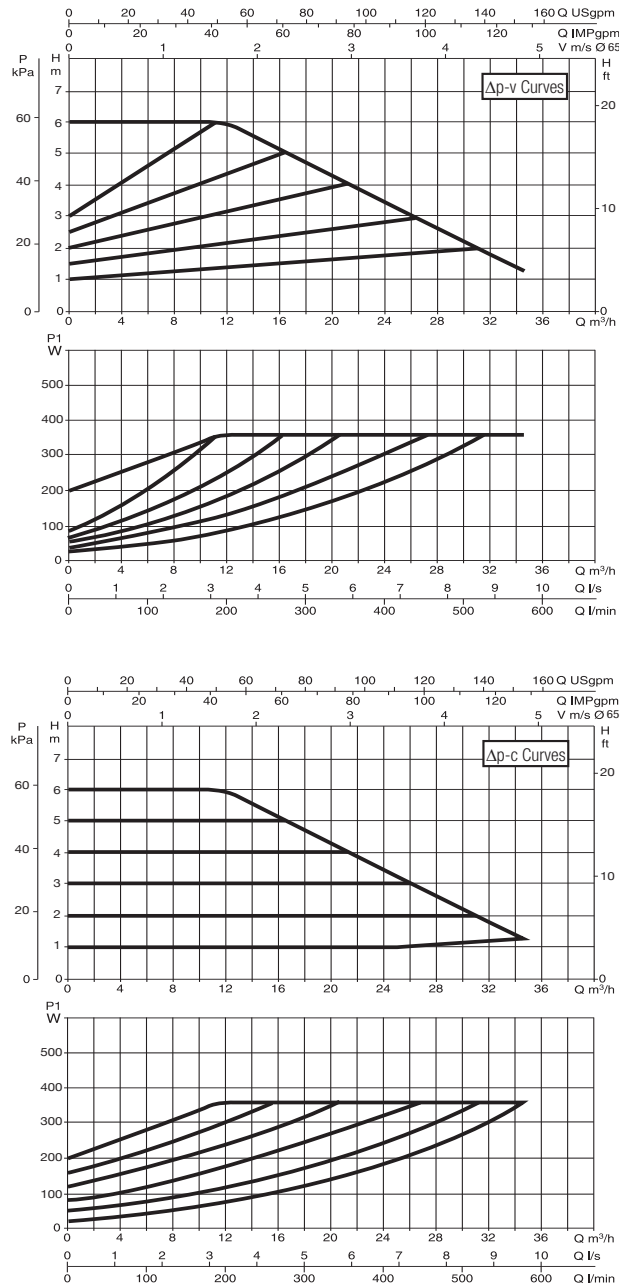
# EVOPLUS - WET ROTOR ELECTRONIC CIRCULATORS

Pumped liquid temperature range: from -10 °C to +110 °C - Maximum operating pressure: 16 bar (1600 kPa)

EVOPLUS B 40/340.65 M



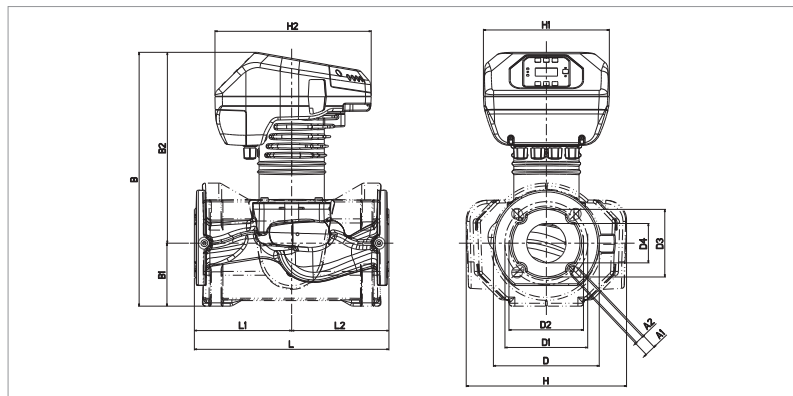
EVOPLUS B 60/340.65 M



The curves are based on kinematic viscosity values = 1 mm²/s and density equal to 1000 kg/m³. Curve tolerance according to ISO 9906. Fixed speed curves available on the DNA.

MODEL	CENTRE DISTANCE mm	COUNTERFLANGES ON REQUEST	POWER INPUT 50/60 Hz	P1 MAX W	In A	EEI*	MINIMUM SUCTION PRESSURE			WEIGHT Kg
							t°	90°	100°	
EVOPLUS B 40/340.65 M	340	DN65 PN 10	220/240 V	190	1,1	EEI ≤ 0,21	m.c.w.	20	25	23,8
EVOPLUS B 60/340.65 M	340	DN65 PN 10	220/240 V	355	1,8	EEI ≤ 0,20	m.c.w.	20	25	23,8

\* The parameter of reference for the more efficient circulators is EEI ≤ 0,20.

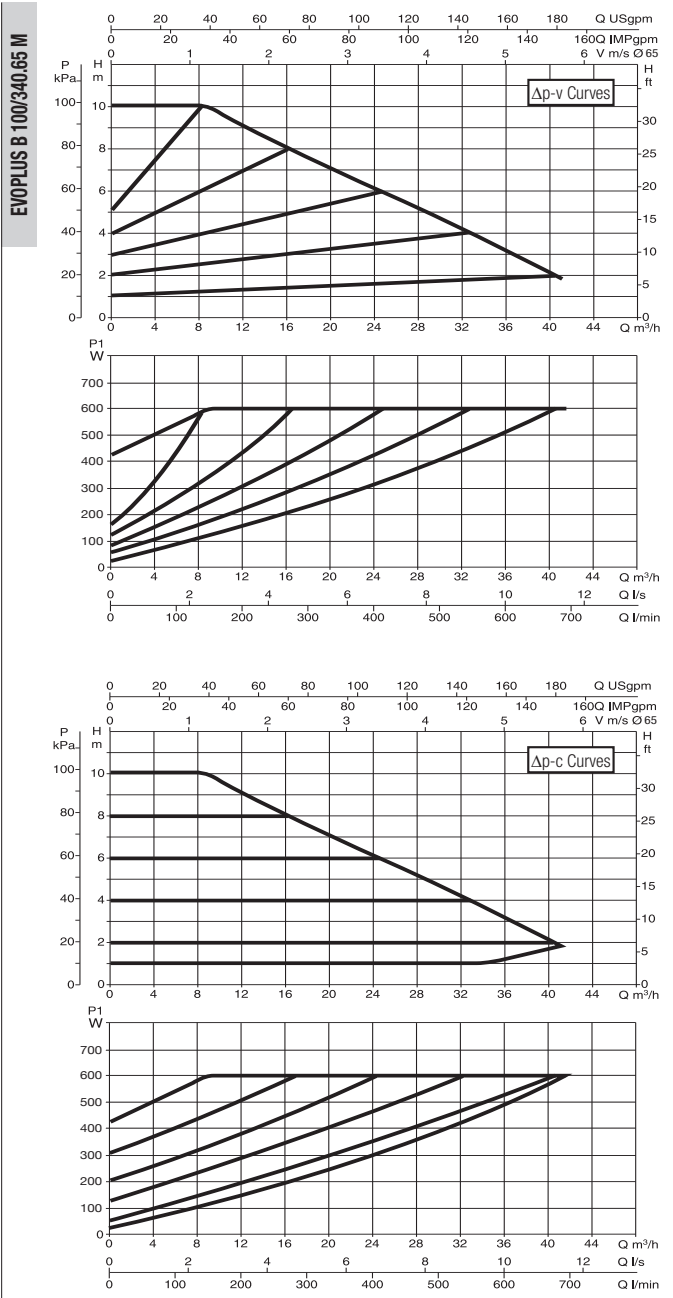
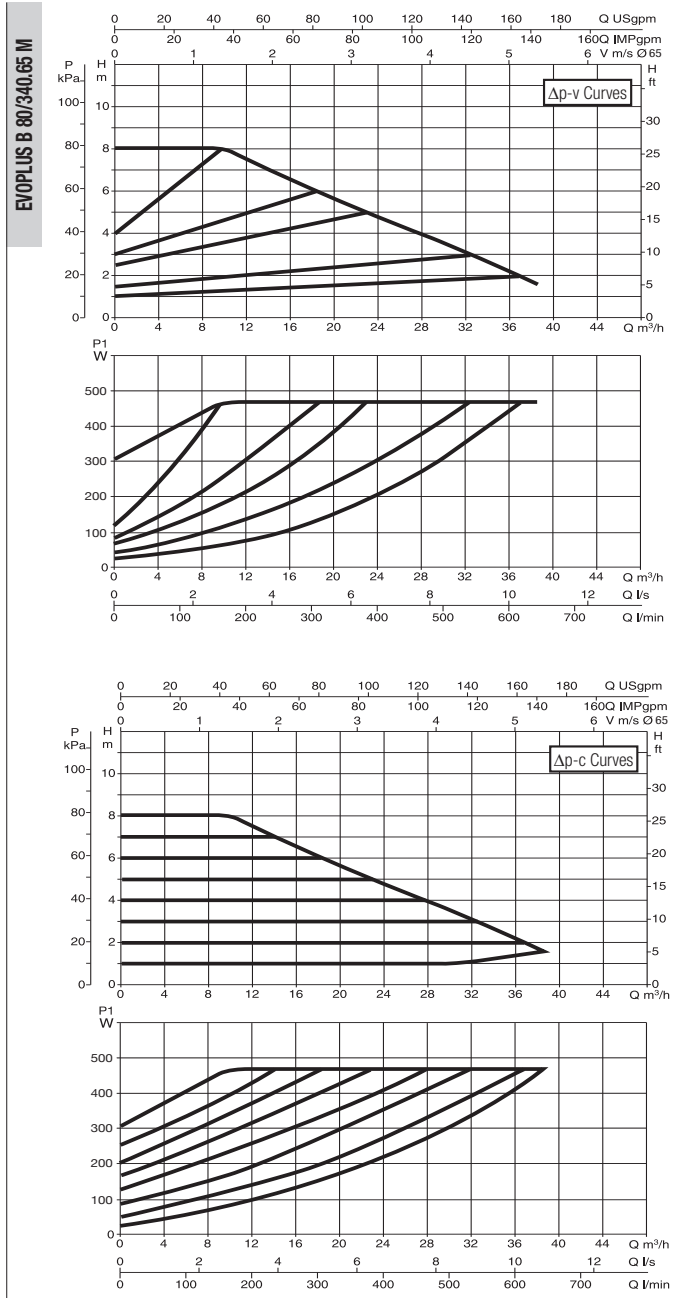


L	L1	L2	A1	A2	B	B1	B2
340	170	170	19	14	443	110	333

D	D1	D2	D3	D4	H	H1	H2
185	145	130	118	69	280	220	273

# EVOPLUS - WET ROTOR ELECTRONIC CIRCULATORS

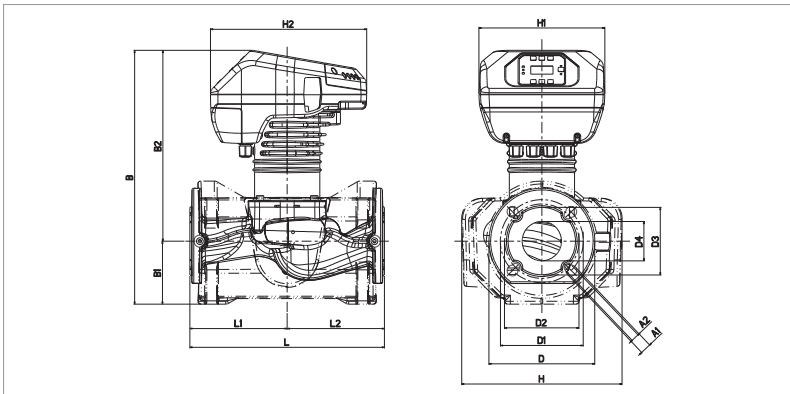
Pumped liquid temperature range: from -10 °C to +110 °C - Maximum operating pressure: 16 bar (1600 kPa)



The curves are based on kinematic viscosity values = 1 mm<sup>2</sup>/s and density equal to 1000 kg/m<sup>3</sup>. Curve tolerance according to ISO 9906. Fixed speed curves available on the DNA.

MODEL	CENTRE DISTANCE mm	COUNTERFLANGES ON REQUEST	POWER INPUT 50/60 Hz	P1 MAX W	In A	EEI*	MINIMUM SUCTION PRESSURE			WEIGHT Kg
							t°	90°	100°	
EVOPLUS B 80/340.65 M	340	DN65 PN 10	220/240 V	465	2,2	EEI ≤ 0,19	m.c.w.	20	25	24,6
EVOPLUS B 100/340.65 M	340	DN65 PN 10	220/240 V	590	2,8	EEI ≤ 0,18	m.c.w.	20	25	25

\* The parameter of reference for the more efficient circulators is EEI ≤ 0,20.

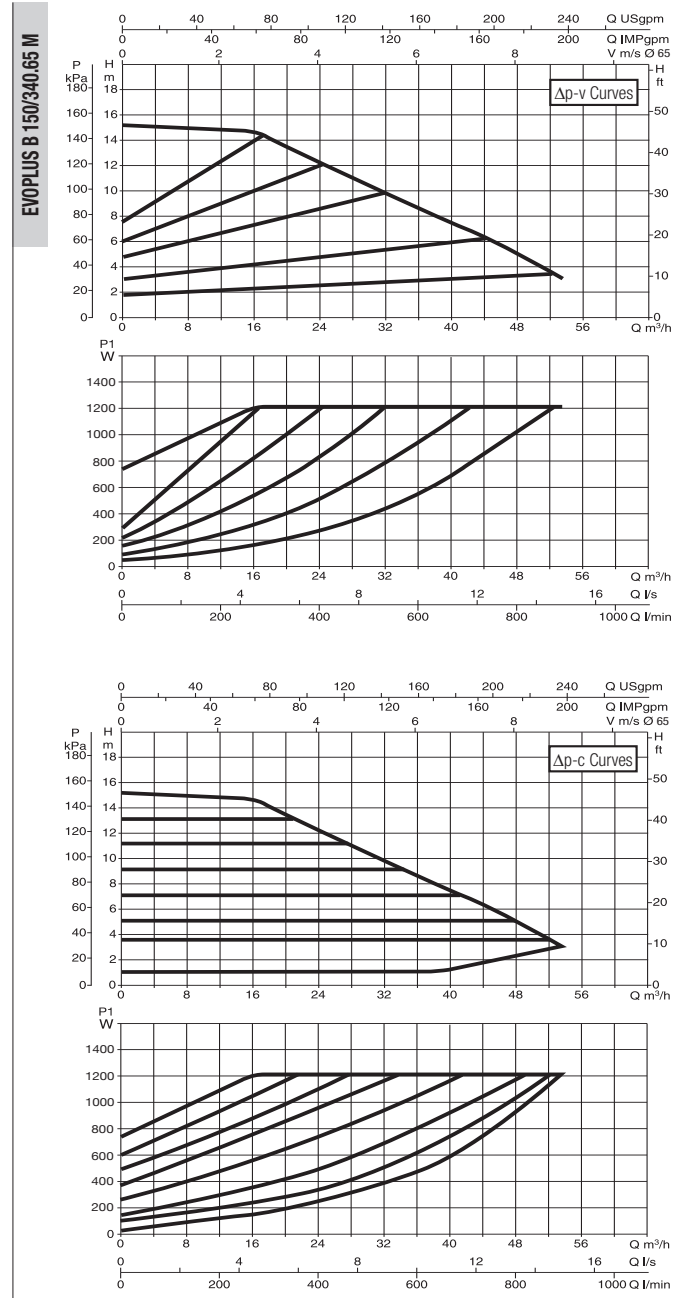
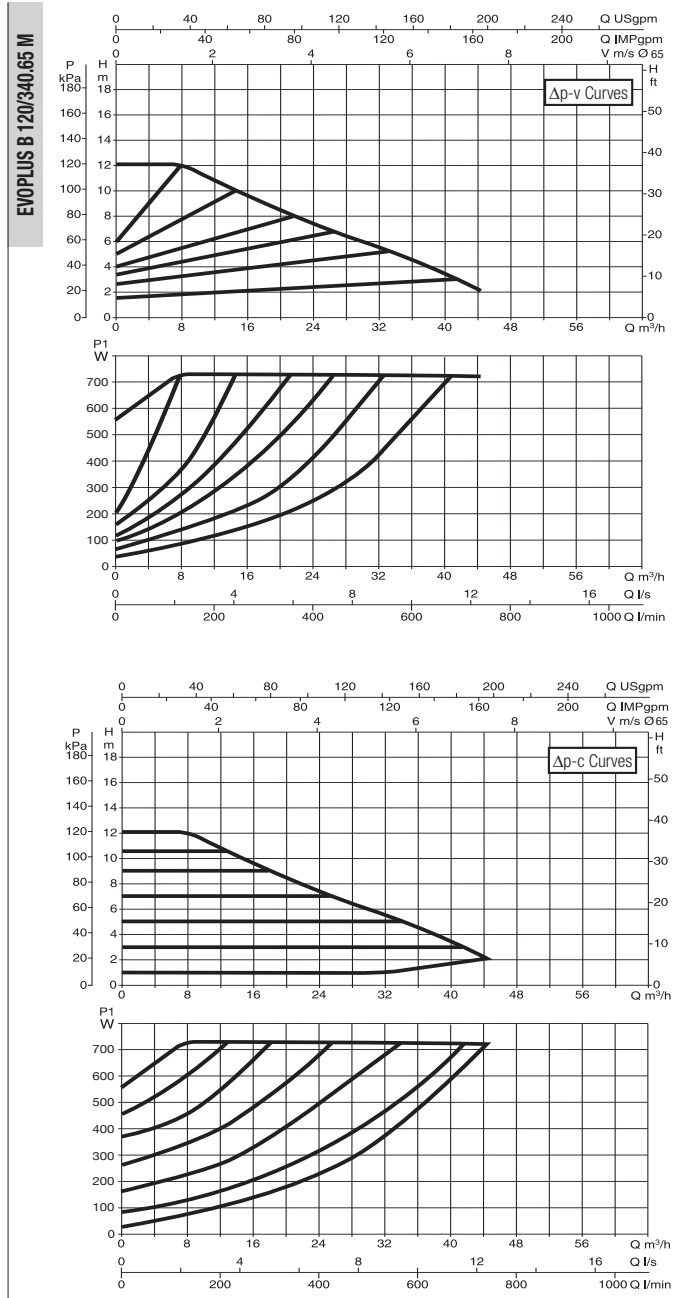


L	L1	L2	A1	A2	B	B1	B2
340	170	170	19	14	443	110	333

D	D1	D2	D3	D4	H	H1	H2
185	145	130	118	69	280	220	273

# EVOPLUS - WET ROTOR ELECTRONIC CIRCULATORS

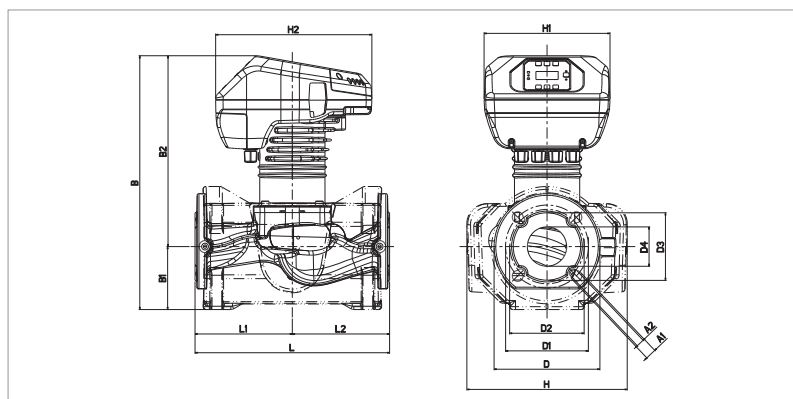
Pumped liquid temperature range: from -10 °C to +110 °C - Maximum operating pressure: 16 bar (1600 kPa)



The curves are based on kinematic viscosity values = 1 mm<sup>2</sup>/s and density equal to 1000 kg/m<sup>3</sup>. Curve tolerance according to ISO 9906. Fixed speed curves available on the DNA.

MODEL	CENTRE DISTANCE mm	COUNTERFLANGES ON REQUEST	POWER INPUT 50/60 Hz	P1 MAX W	In A	EEI*	MINIMUM SUCTION PRESSURE			WEIGHT Kg
							t°	90°	100°	
<b>EVOPLUS B 120/340.65 M</b>	340	DN65 PN 10	220/240 V	730	3,45	EEI ≤ 0,18	m.c.w.	20	25	24,6
<b>EVOPLUS B 150/340.65 M</b>	340	DN65 PN 10	220/240 V	1210	5,5	EEI ≤ 0,18	m.c.w.	20	25	27

\* The parameter of reference for the more efficient circulators is EEI ≤ 0,20.

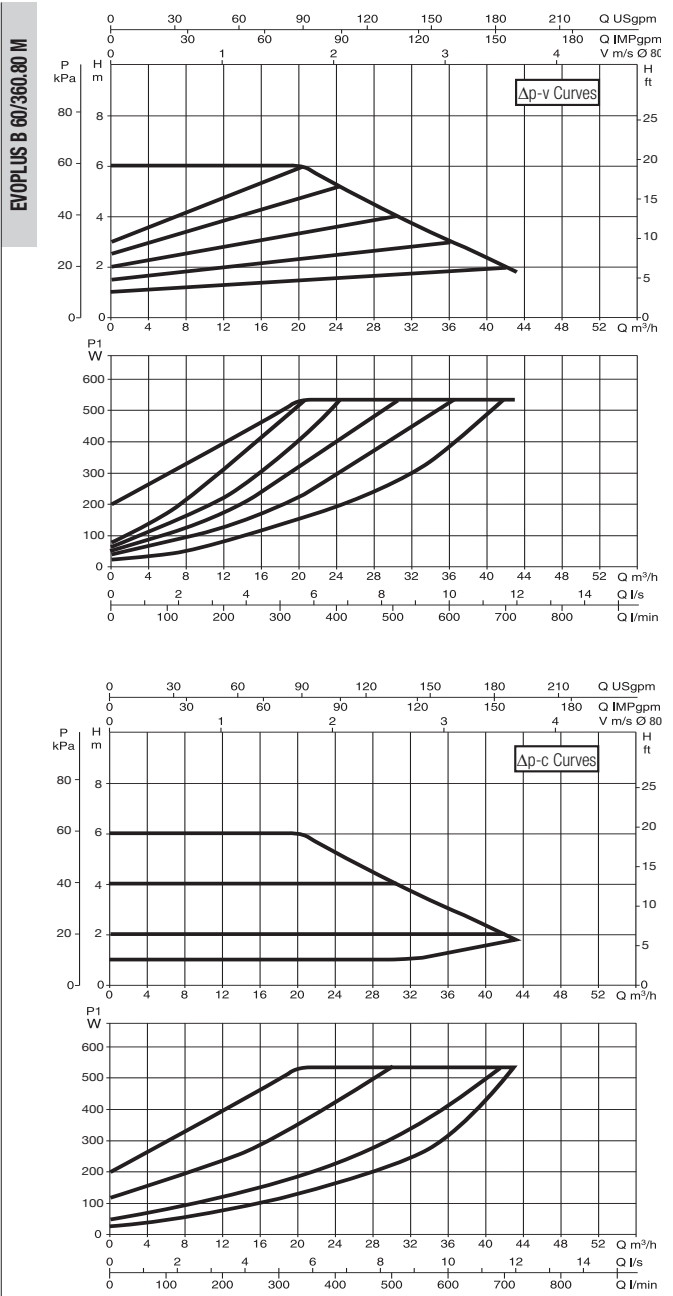
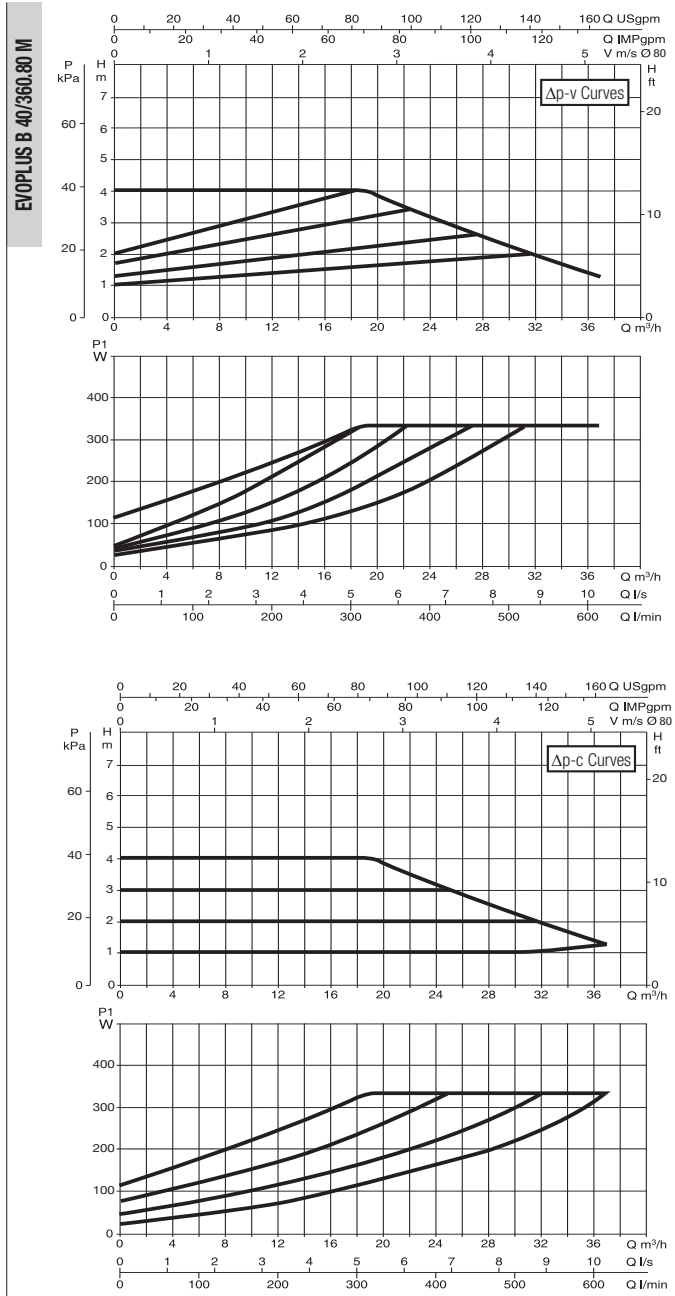


L	L1	L2	A1	A2	B	B1	B2
340	170	170	19	14	443	110	333

D	D1	D2	D3	D4	H	H1	H2
185	145	130	118	69	280	220	273

# EVOPLUS - WET ROTOR ELECTRONIC CIRCULATORS

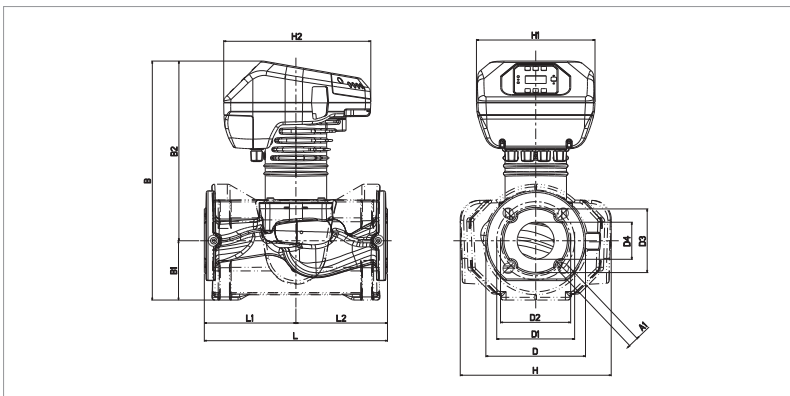
Pumped liquid temperature range: from -10 °C to +110 °C - Maximum operating pressure: 16 bar (1600 kPa)



The curves are based on kinematic viscosity values = 1 mm<sup>2</sup>/s and density equal to 1000 kg/m<sup>3</sup>. Curve tolerance according to ISO 9906. Fixed speed curves available on the DNA.

MODEL	CENTRE DISTANCE mm	COUNTERFLANGES ON REQUEST	POWER INPUT 50/60 Hz	P1 MAX W	In A	EEI*	MINIMUM SUCTION PRESSURE			WEIGHT Kg
							t°	90°	100°	
EVOPLUS B 40/360.80 M	360	DN80 PN 10	220/240 V	330	1,65	EEI ≤ 0,19	m.c.w.	20	25	30,2
EVOPLUS B 60/360.80 M	360	DN80 PN 10	220/240 V	535	2,5	EEI ≤ 0,20	m.c.w.	20	25	30,2

\*The parameter of reference for the more efficient circulators is EEI ≤ 0,20.



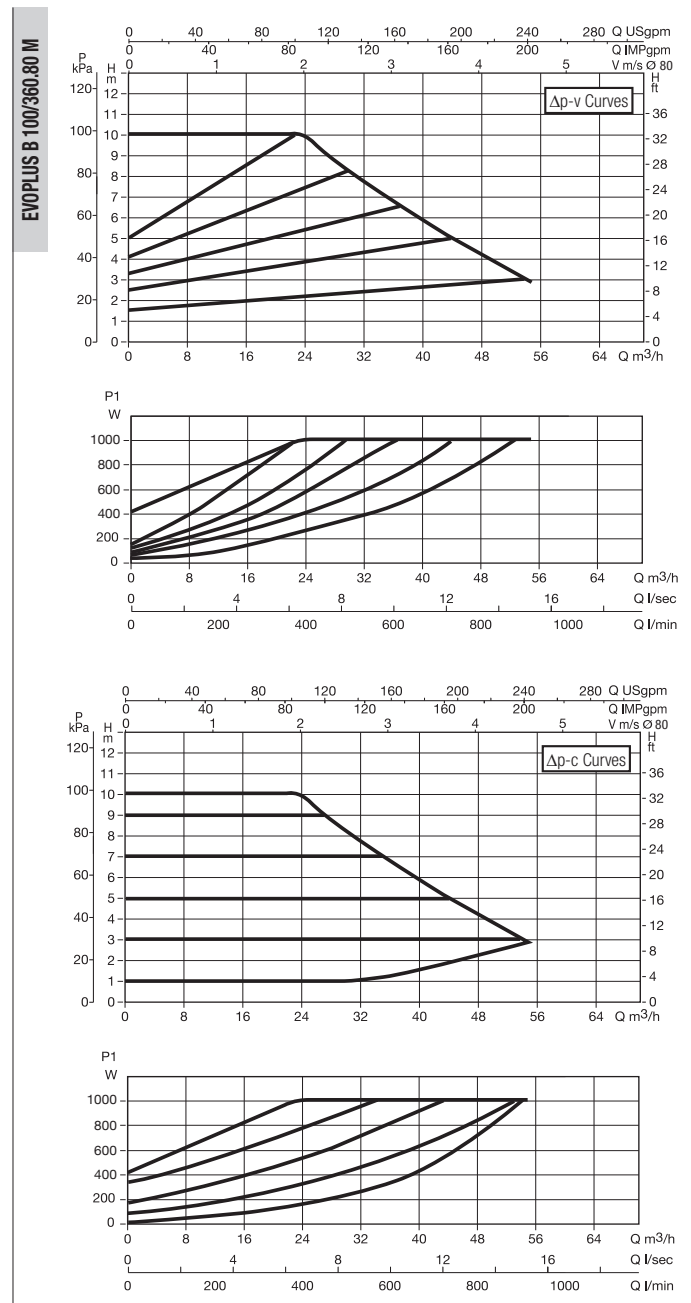
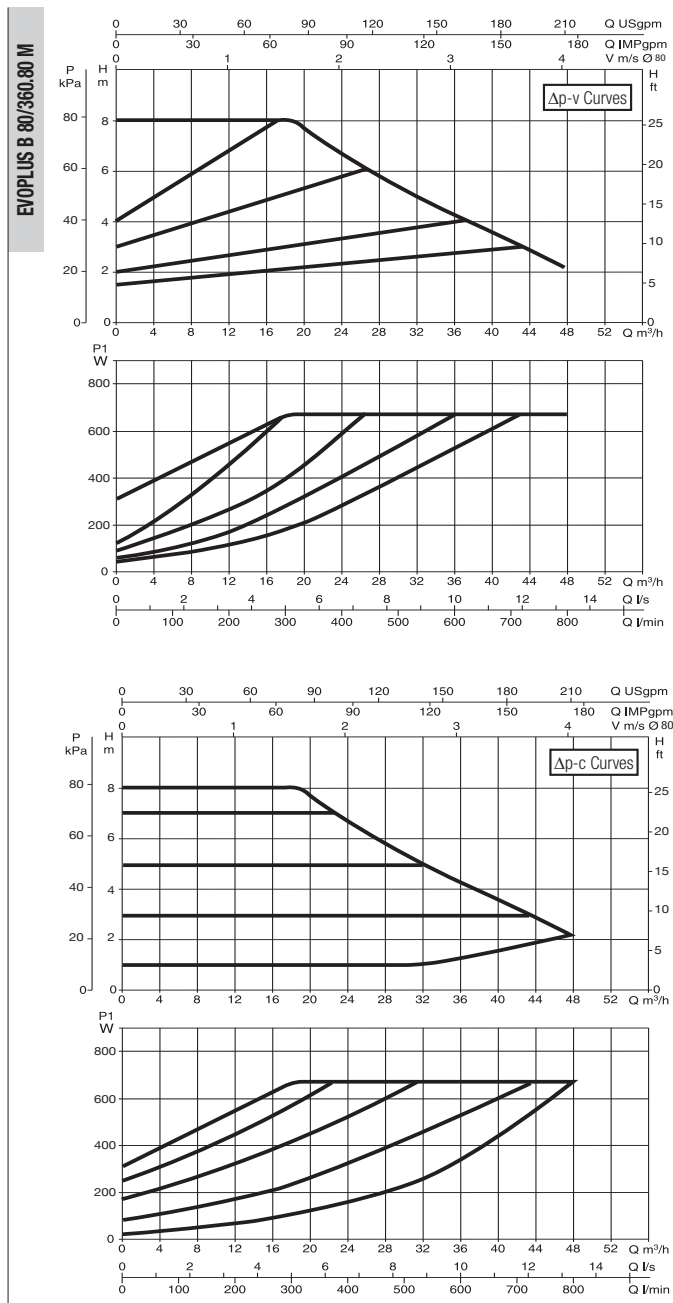
L	L1	L2	A1	B	B1	B2	D
360	180	180	19	446	106	340	200

D1	D3	D4	H	H1	H2
160	132	80	279	220	273



# EVOPLUS - WET ROTOR ELECTRONIC CIRCULATORS

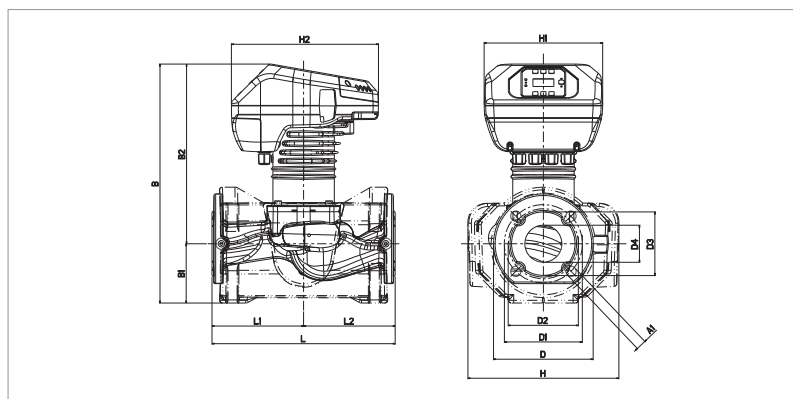
Pumped liquid temperature range: from -10 °C to +110 °C - Maximum operating pressure: 16 bar (1600 kPa)



The curves are based on kinematic viscosity values = 1 mm²/s and density equal to 1000 kg/m³. Curve tolerance according to ISO 9906. Fixed speed curves available on the DNA.

MODEL	CENTRE DISTANCE mm	COUNTERFLANGES ON REQUEST	POWER INPUT 50/60 Hz	P1 MAX W	In A	EEI*	MINIMUM SUCTION PRESSURE			WEIGHT Kg
							t°	90°	100°	
<b>EVOPLUS B 80/360.80 M</b>	360	DN80 PN 10	220/240 V	670	3	EEI ≤ 0,20	m.c.w.	20	25	32
<b>EVOPLUS B 100/360.80 M</b>	360	DN80 PN 10	220/240 V	1005	4,5	EEI ≤ 0,19	m.c.w.	20	25	32,2

\*The parameter of reference for the more efficient circulators is EEI ≤ 0,20.



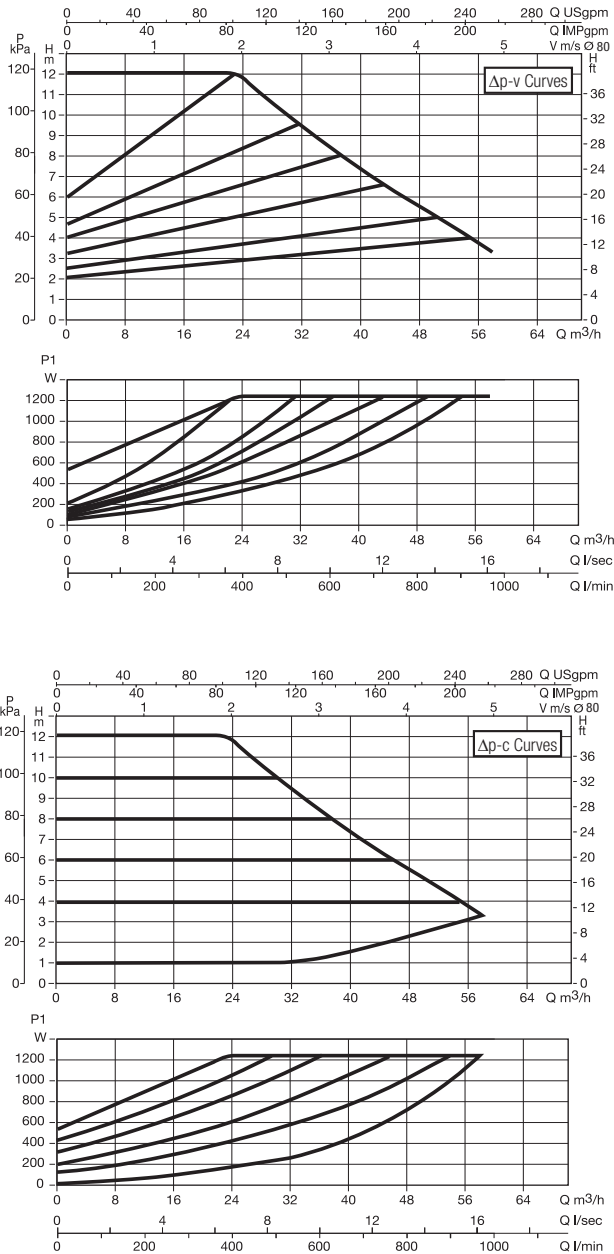
L	L1	L2	A1	B	B1	B2	D
360	180	180	19	360	180	180	19

D1	D3	D4	H	H1	H2
160	132	80	279	220	273

# EVOPLUS - WET ROTOR ELECTRONIC CIRCULATORS

Pumped liquid temperature range: from -10 °C to +110 °C - Maximum operating pressure: 16 bar (1600 kPa)

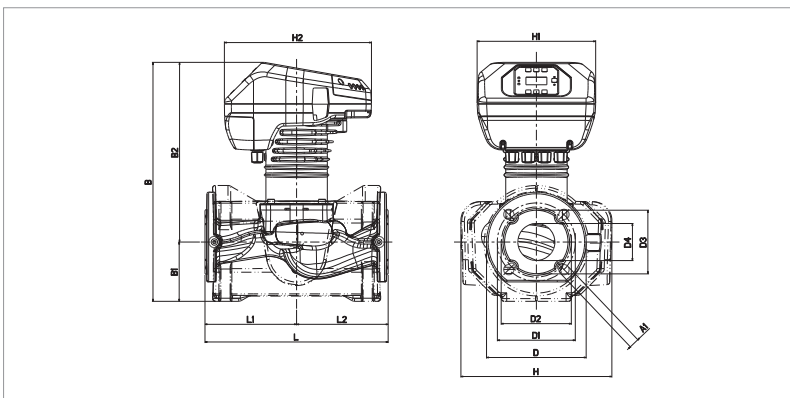
EVOPLUS B 120/360.80 M



The curves are based on kinematic viscosity values = 1 mm<sup>2</sup>/s and density equal to 1000 kg/m<sup>3</sup>. Curve tolerance according to ISO 9906. Fixed speed curves available on the DNA.

MODEL	CENTRE DISTANCE mm	COUNTERFLANGES ON REQUEST	POWER INPUT 50/60 Hz	P1 MAX W	In A	EEI*	MINIMUM SUCTION PRESSURE			WEIGHT Kg
							t°	90°	100°	
<b>EVOPLUS B 120/360.80 M</b>	360	DN80 PN 10	220/240 V	1235	5,5	EEI ≤ 0,19	m.c.w.	20	25	32,2

\* The parameter of reference for the more efficient circulators is EEI ≤ 0,20.

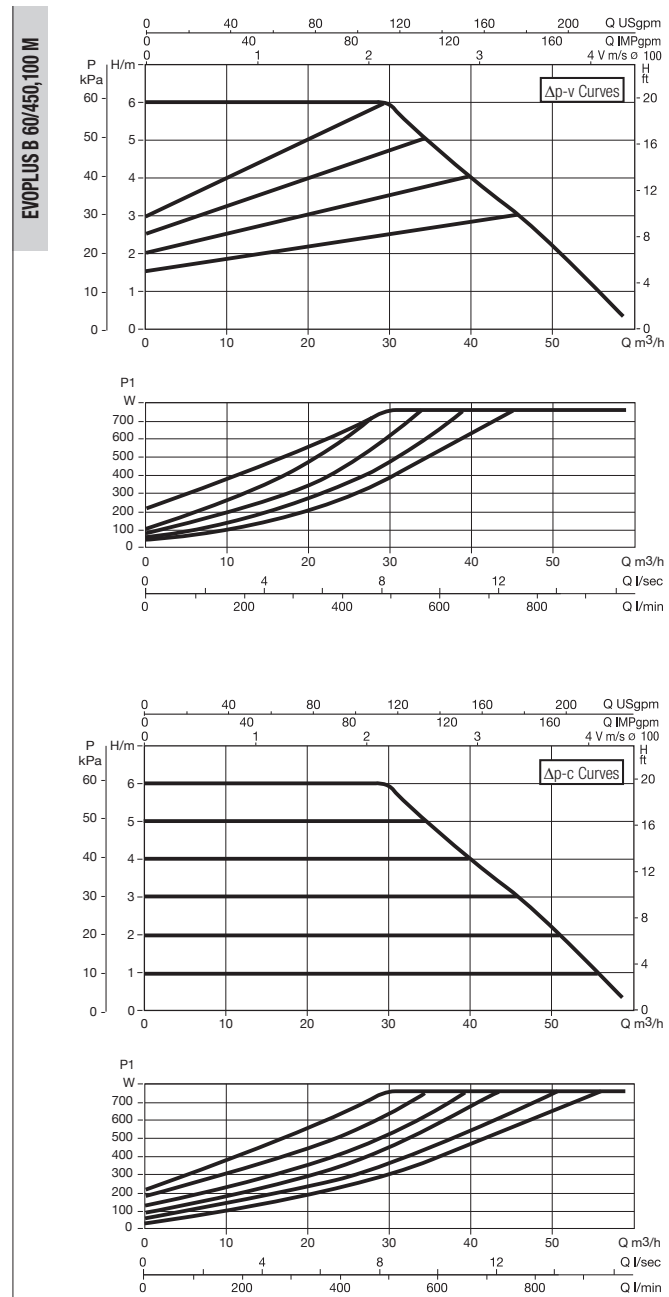
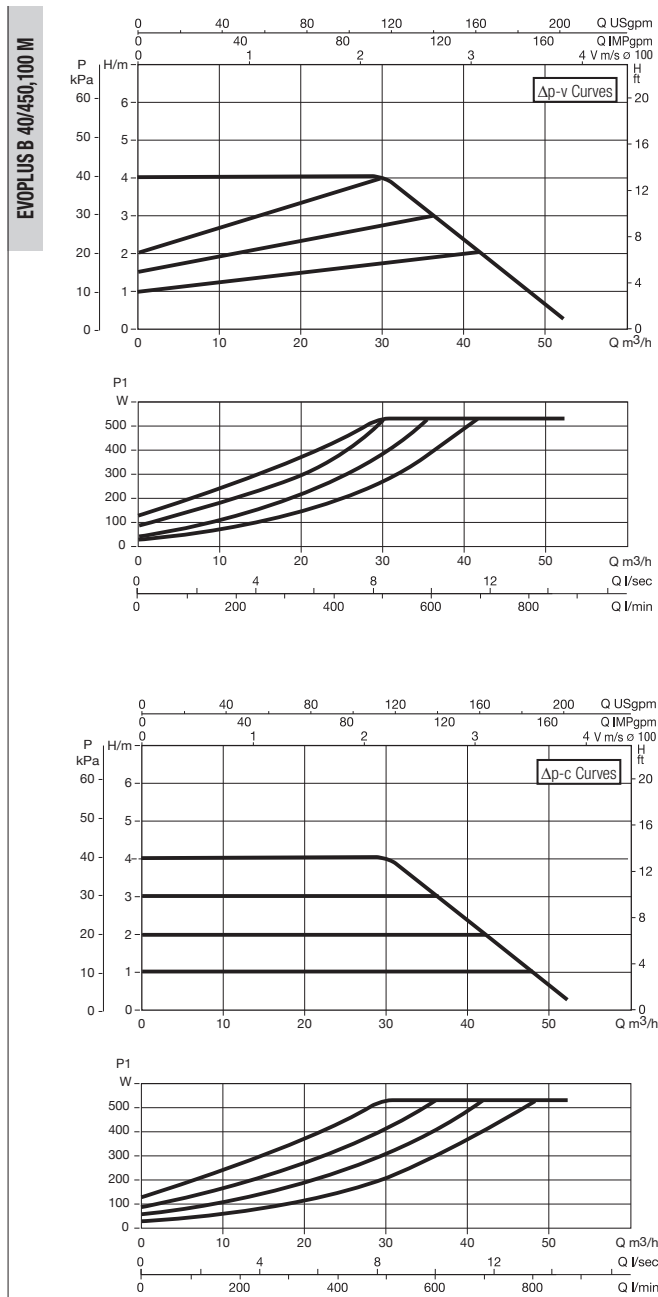


L	L1	L2	A1	B	B1	B2	D
360	180	180	19	446	106	340	200

D1	D3	D4	H	H1	H2
160	132	80	279	220	273

# EVOPLUS - WET ROTOR ELECTRONIC CIRCULATORS

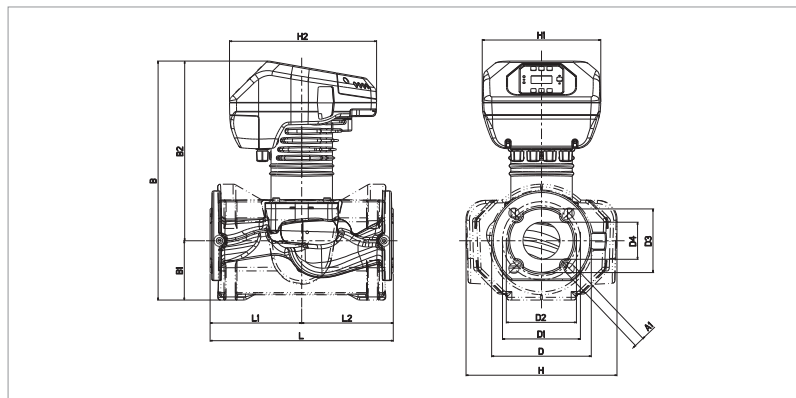
Pumped liquid temperature range: from -10 °C to +110 °C - Maximum operating pressure: 16 bar (1600 kPa)



The curves are based on kinematic viscosity values = 1 mm<sup>2</sup>/s and density equal to 1000 kg/m<sup>3</sup>. Curve tolerance according to ISO 9906. Fixed speed curves available on the DNA.

MODEL	CENTRE DISTANCE mm	COUNTERFLANGES ON REQUEST	POWER INPUT 50/60 Hz	P1 MAX W	In A	EEI*	MINIMUM SUCTION PRESSURE			WEIGHT Kg
							t°	90°	100°	
<b>EVOPLUS B 40/450.100 M</b>	450	DN100 PN 10	220/240 V	530	2,5	EEI ≤ 0,19	m.c.w.	20	25	37,5
<b>EVOPLUS B 60/450.100 M</b>	450	DN100 PN 10	220/240 V	760	3,5	EEI ≤ 0,18	m.c.w.	20	25	37,5

\* The parameter of reference for the more efficient circulators is EEI ≤ 0,20.

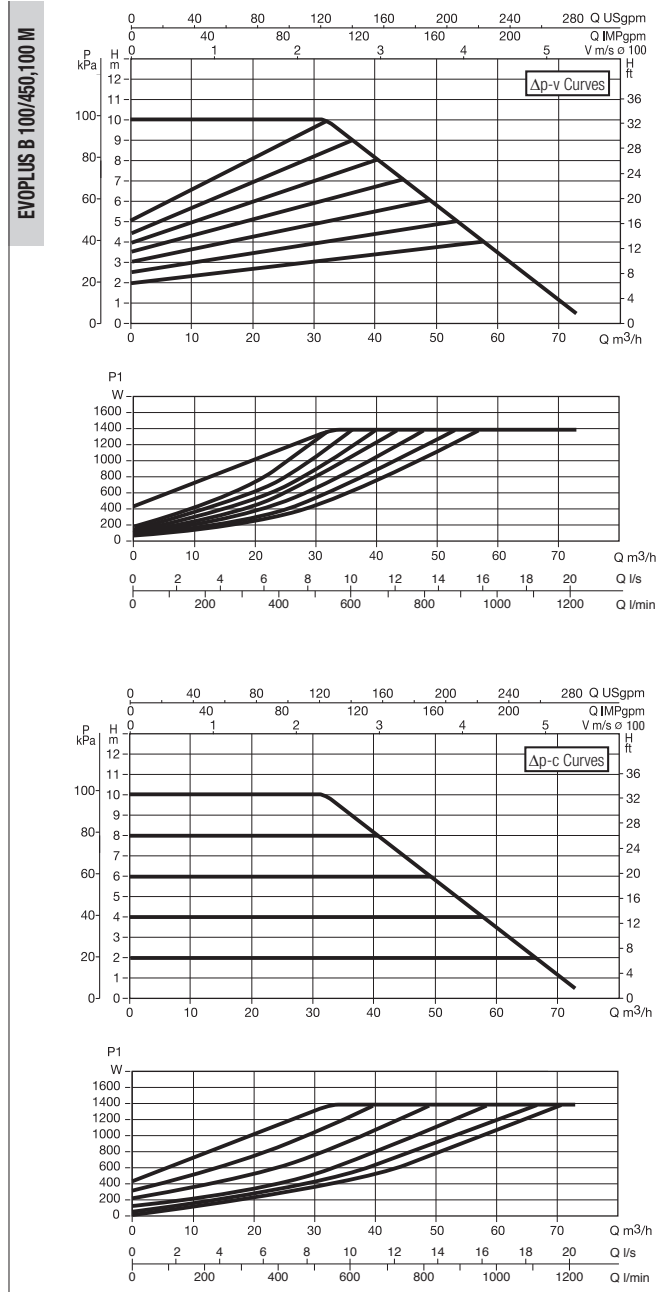
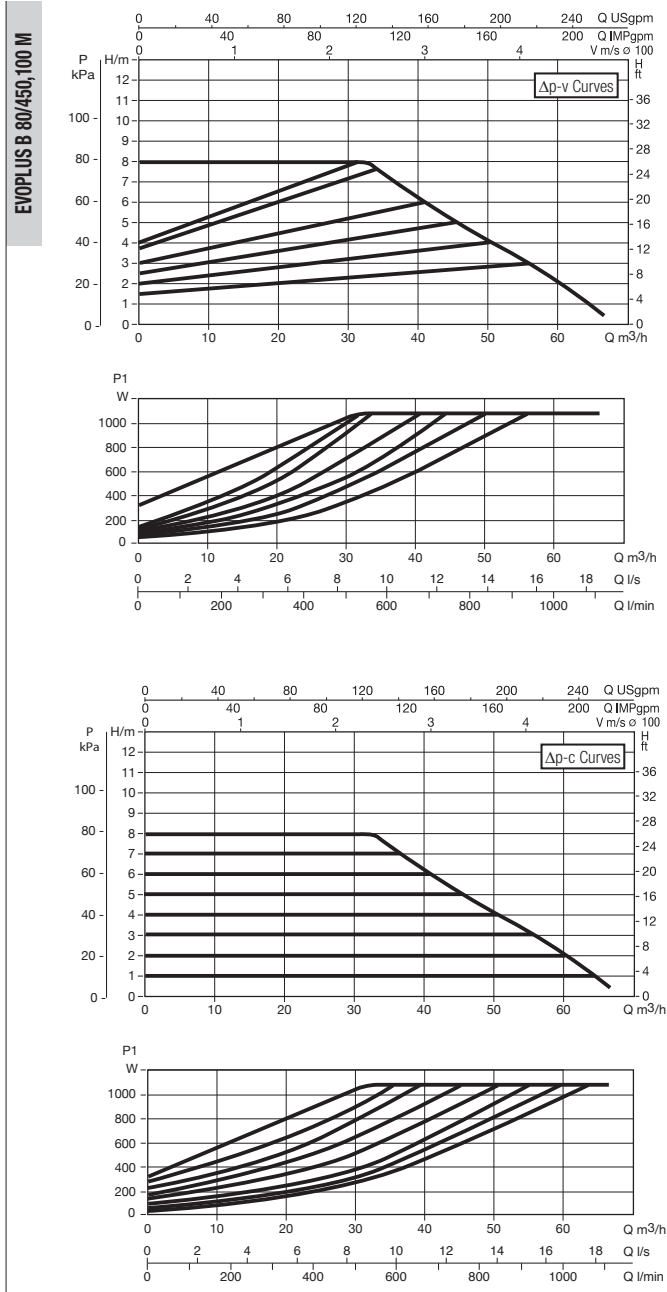


L	L1	L2	A1	B	B1	B2	D
450	225	225	19	463	110	353	220

D1	D3	D4	H	H1	H2
180	156	105	292	220	273

# EVOPLUS - WET ROTOR ELECTRONIC CIRCULATORS

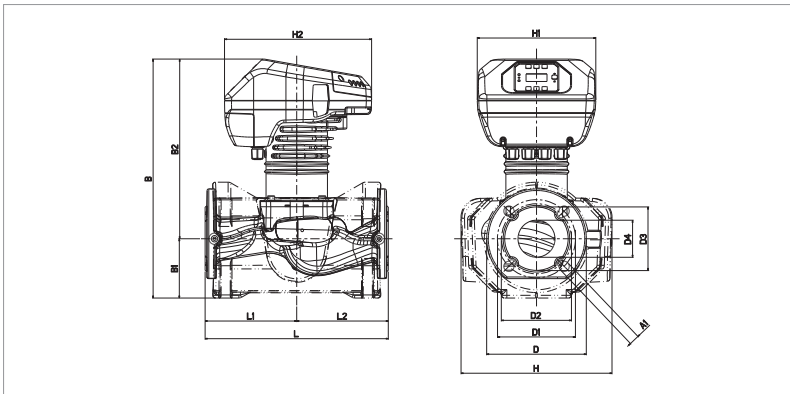
Pumped liquid temperature range: from -10 °C to +110 °C - Maximum operating pressure: 16 bar (1600 kPa)



The curves are based on kinematic viscosity values = 1 mm<sup>2</sup>/s and density equal to 1000 kg/m<sup>3</sup>. Curve tolerance according to ISO 9906. Fixed speed curves available on the DNA.

MODEL	CENTRE DISTANCE mm	COUNTERFLANGES ON REQUEST	POWER INPUT 50/60 Hz	P1 MAX W	In A	EEI*	MINIMUM SUCTION PRESSURE			WEIGHT Kg
							t°	90°	100°	
EVOPLUS B 80/450.100 M	450	DN100 PN 10	220/240 V	1080	4,8	EEI ≤ 0,18	m.c.w.	20	25	36,6
EVOPLUS B 100/450.100 M	450	DN100 PN 10	220/240 V	1380	6	EEI ≤ 0,19	m.c.w.	20	25	36,8

\* The parameter of reference for the more efficient circulators is EEI ≤ 0,20.



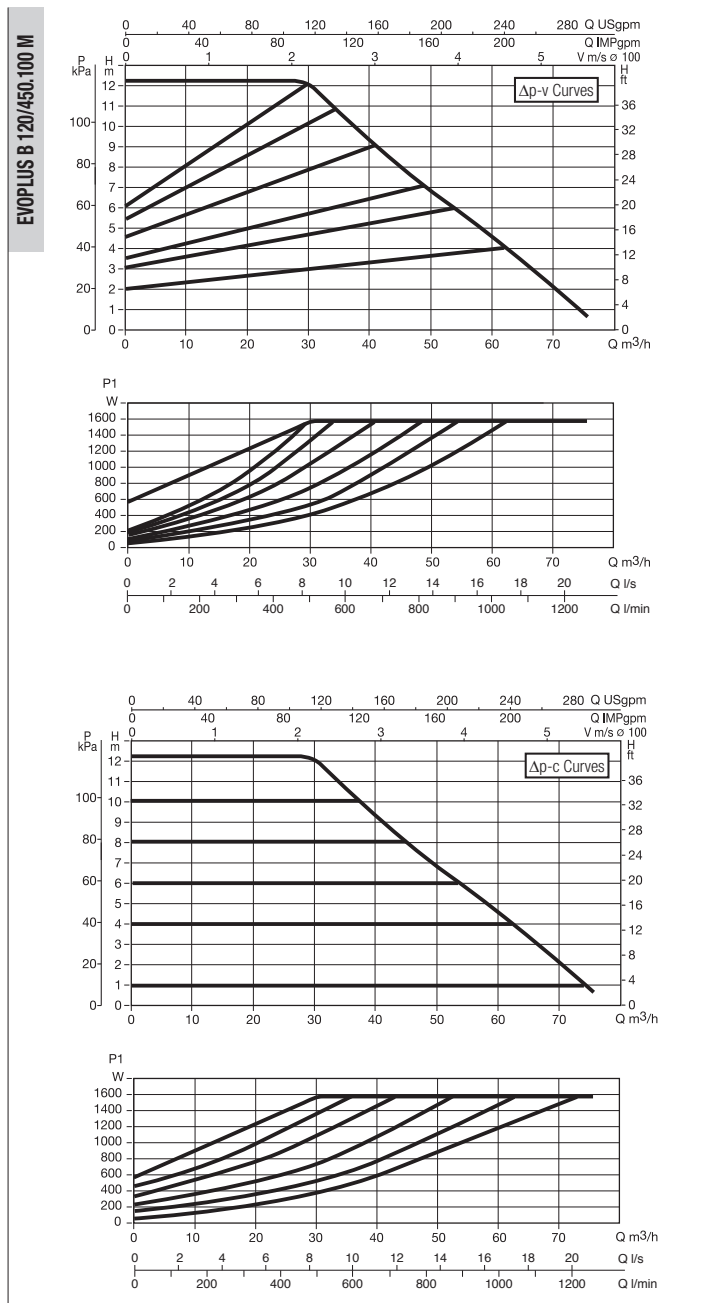
L	L1	L2	A1	B	B1	B2	D
450	225	225	19	463	110	353	220

D1	D3	D4	H	H1	H2
180	156	105	292	220	273



# EVOPLUS - WET ROTOR ELECTRONIC CIRCULATORS

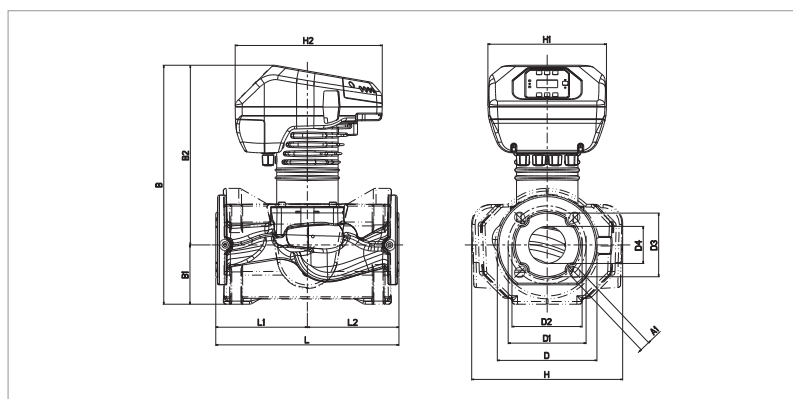
Pumped liquid temperature range: from -10 °C to +110 °C - Maximum operating pressure: 16 bar (1600 kPa)



The curves are based on kinematic viscosity values = 1 mm<sup>2</sup>/s and density equal to 1000 kg/m<sup>3</sup>. Curve tolerance according to ISO 9906. Fixed speed curves available on the DNA.

MODEL	CENTRE DISTANCE mm	COUNTERFLANGES ON REQUEST	POWER INPUT 50/60 Hz	P1 MAX W	In A	EEI*	MINIMUM SUCTION PRESSURE			WEIGHT Kg
							t°	90°	100°	
<b>EVOPLUS B 120/450.100 M</b>	450	DN100 PN 10	220/240 V	1560	7	EEI ≤ 0,19	m.c.w.	20	25	36,3

\* The parameter of reference for the more efficient circulators is EEI ≤ 0,20.

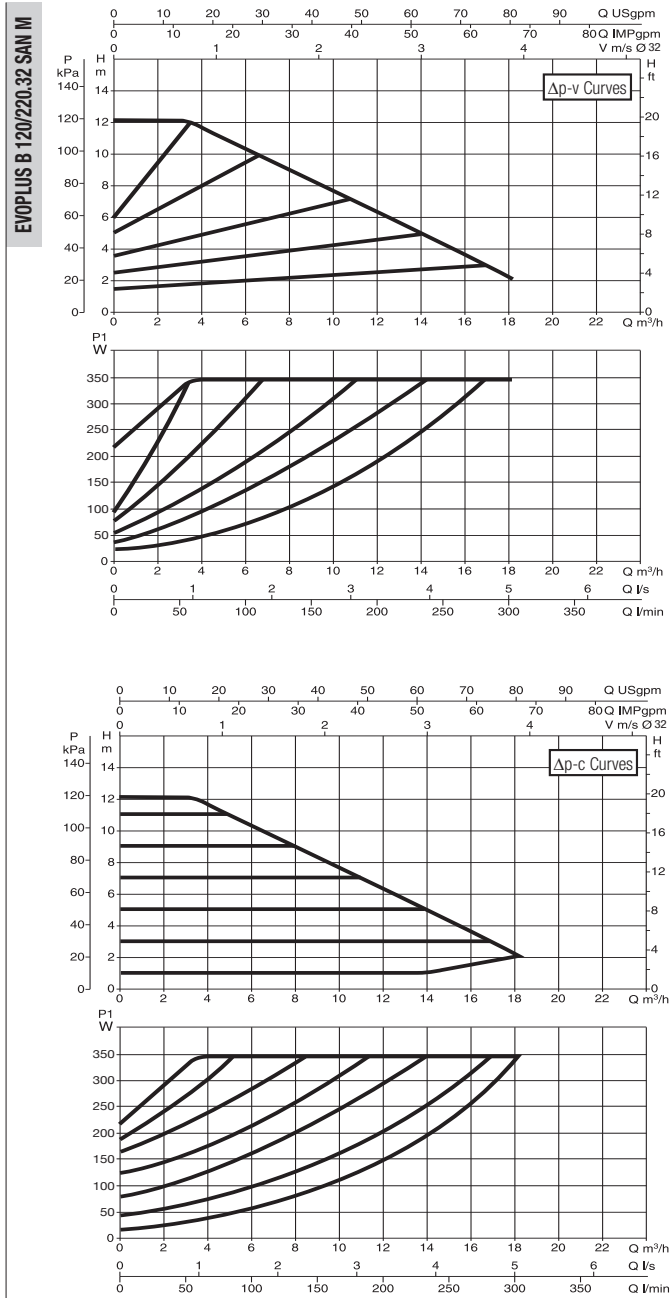


L	L1	L2	A1	B	B1	B2	D
450	225	225	19	463	110	353	220

D1	D3	D4	H	H1	H2
180	156	105	292	220	273

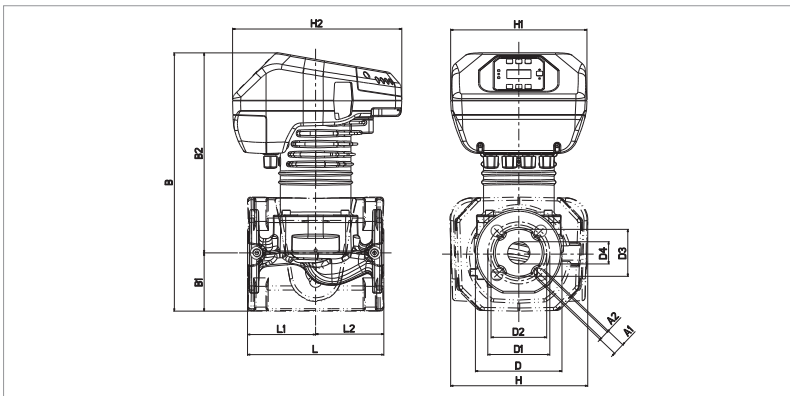
# EVOPLUS SAN - WET ROTOR ELECTRONIC CIRCULATORS

Pumped liquid temperature range: from -10 °C to +110 °C - Maximum operating pressure: 16 bar (1600 kPa)



The curves are based on kinematic viscosity values = 1 mm²/s and density equal to 1000 kg/m³. Curve tolerance according to ISO 9906. Fixed speed curves available on the DNA.

MODEL	CENTRE DISTANCE mm	COUNTERFLANGES ON REQUEST	POWER INPUT 50/60 Hz	P1 MAX W	In A	MINIMUM SUCTION PRESSURE			WEIGHT Kg
						t°	90°	100°	
EVOPLUS B 120/220.32 SAN M	220	DN 32 PN 6	220/240 V	340	1,7	m.c.w.	20	25	24



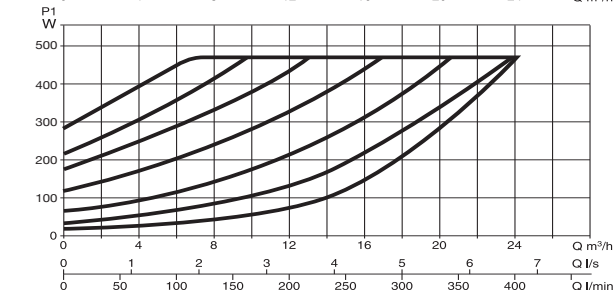
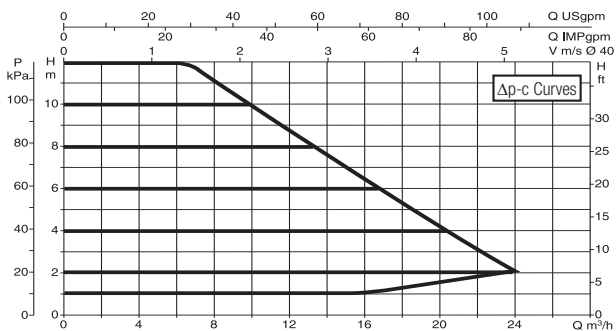
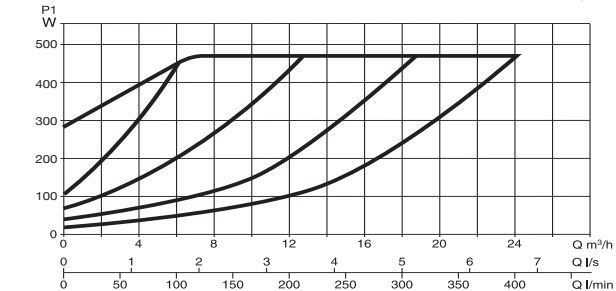
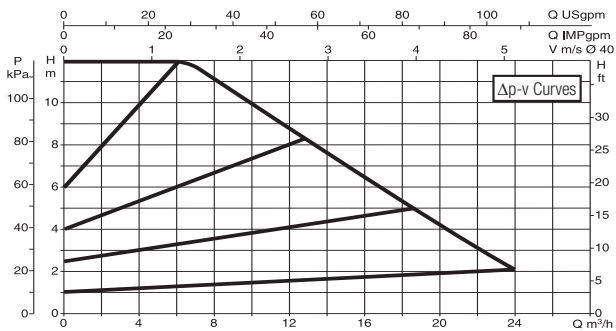
L	L1	L2	A1	A2	B	B1	B2
220	110	110	19	14	417	94	323

D	D1	D2	D3	D4	H	H1	H2
140	100	90	76	36	222	220	273

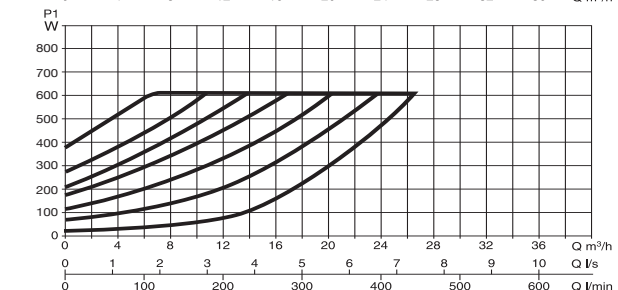
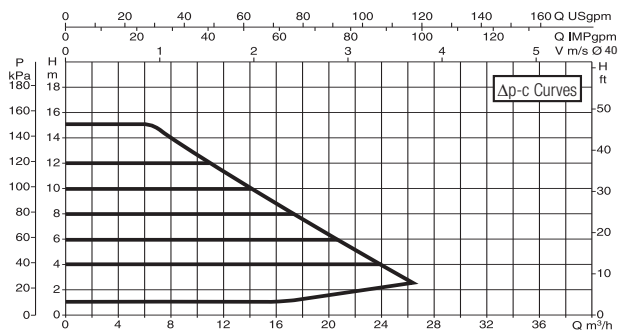
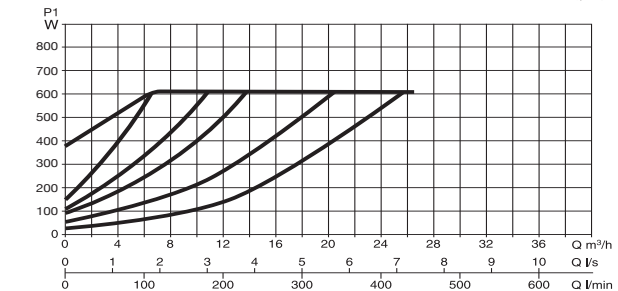
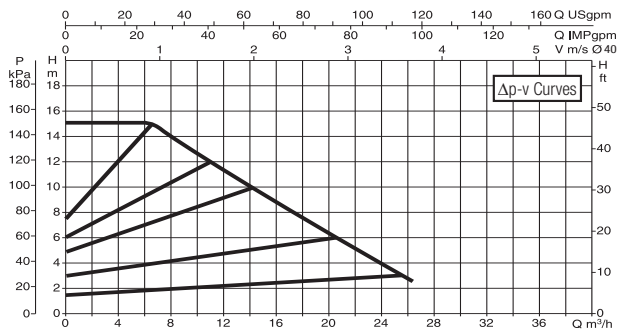
# EVOPLUS SAN - WET ROTOR ELECTRONIC CIRCULATORS

Pumped liquid temperature range: from -10 °C to +110 °C - Maximum operating pressure: 16 bar (1600 kPa)

EVOPLUS B 120/250.40 SAN M

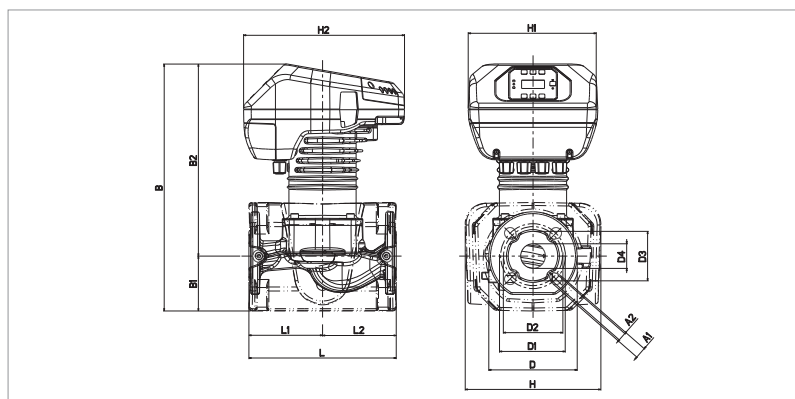


EVOPLUS B 150/250.40 SAN M



The curves are based on kinematic viscosity values = 1 mm²/s and density equal to 1000 kg/m³. Curve tolerance according to ISO 9906. Fixed speed curves available on the DNA.

MODEL	CENTRE DISTANCE mm	COUNTERFLANGES ON REQUEST	POWER INPUT 50/60 Hz	P1 MAX W	In A	MINIMUM SUCTION PRESSURE			WEIGHT Kg
						t°	90°	100°	
EVOPLUS B 120/250.40 SAN M	250	DN 40 PN 10	220/240 V	465	2,2	m.c.w.	20	25	22
EVOPLUS B 150/250.40 SAN M	250	DN 40 PN 10	220/240 V	610	2,9	m.c.w.	20	25	20



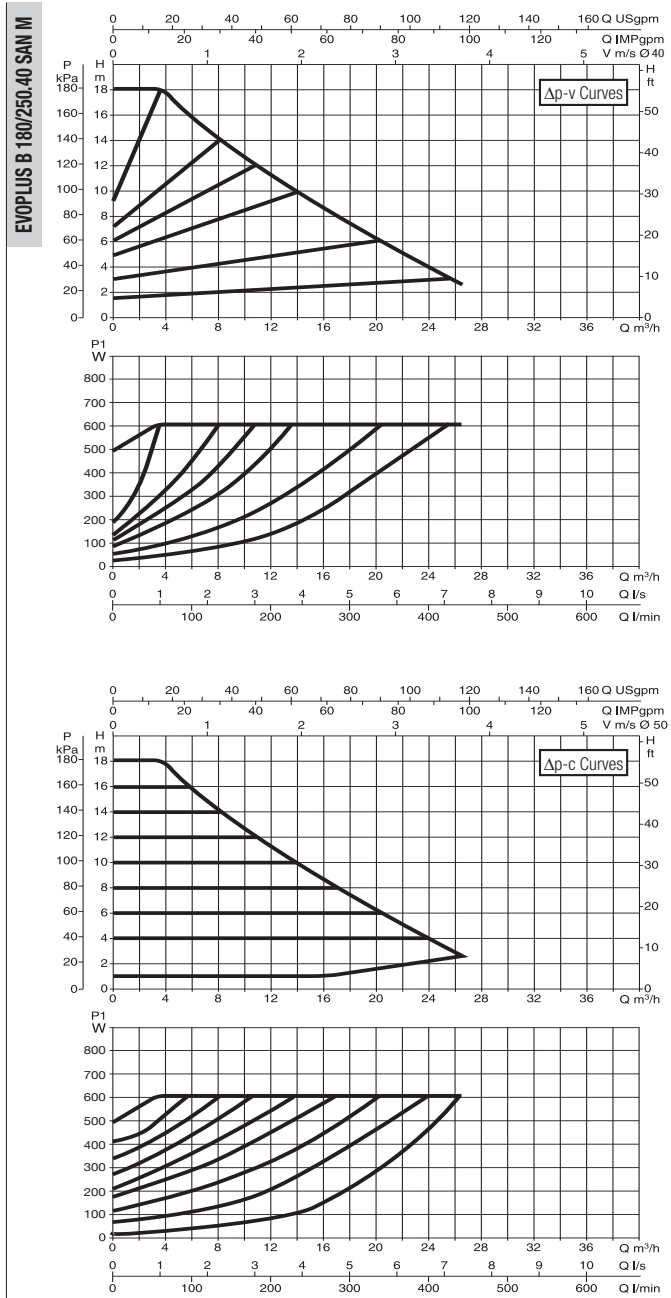
L	L1	L2	A1	A2	B	B1	B2
250	125	125	19	14	419	93	326

D	D1	D2	D3	D4	H	H1	H2
150	110	100	84	42	230	220	273



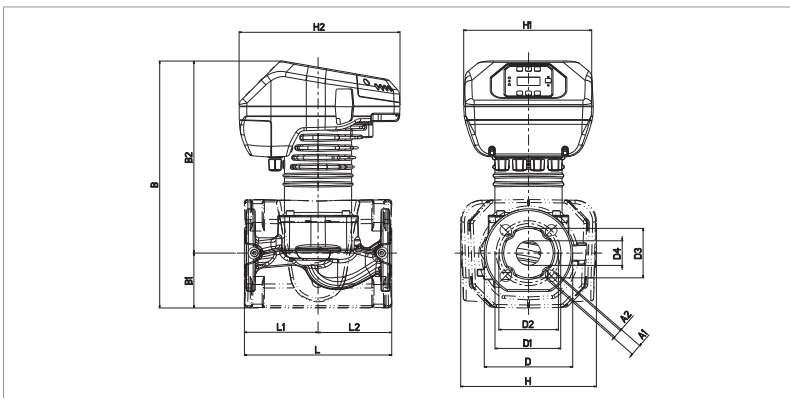
# EVOPLUS SAN - WET ROTOR ELECTRONIC CIRCULATORS

Pumped liquid temperature range: from -10 °C to +110 °C - Maximum operating pressure: 16 bar (1600 kPa)



The curves are based on kinematic viscosity values = 1 mm²/s and density equal to 1000 kg/m³. Curve tolerance according to ISO 9906. Fixed speed curves available on the DNA.

MODEL	CENTRE DISTANCE mm	COUNTERFLANGES ON REQUEST	POWER INPUT 50/60 Hz	P1 MAX W	In A	MINIMUM SUCTION PRESSURE			WEIGHT Kg
						t°	90°	100°	
EVOPLUS B 180/250.40 SAN M	250	DN 40 PN 10	220/240 V	610	2,9	m.c.w.	20	25	20

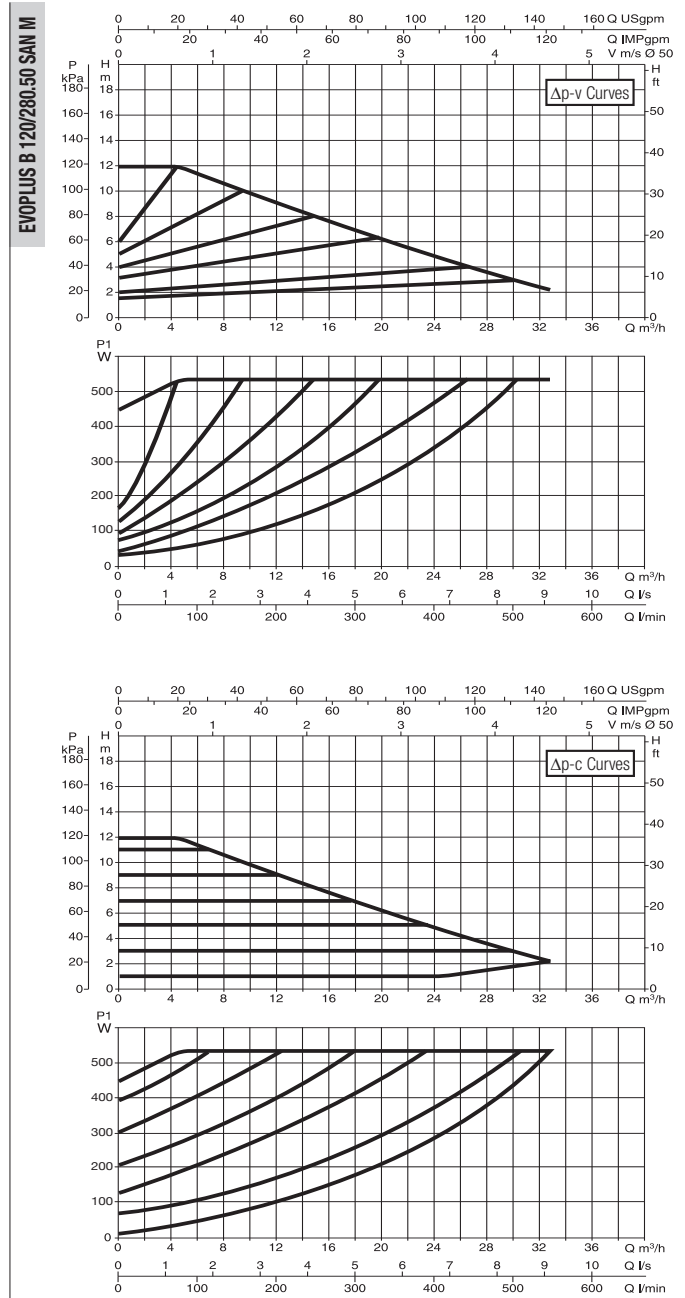
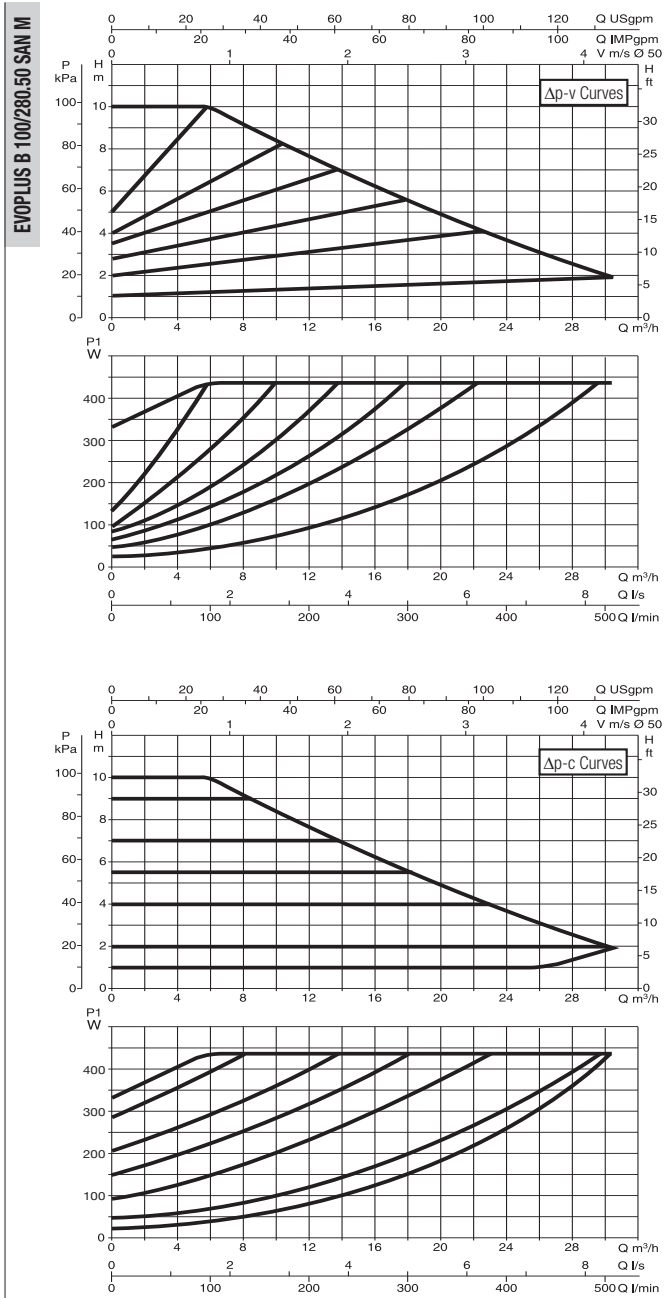


L	L1	L2	A1	A2	B	B1	B2
250	125	125	19	14	419	93	326

D	D1	D2	D3	D4	H	H1	H2
150	110	100	84	42	230	220	273

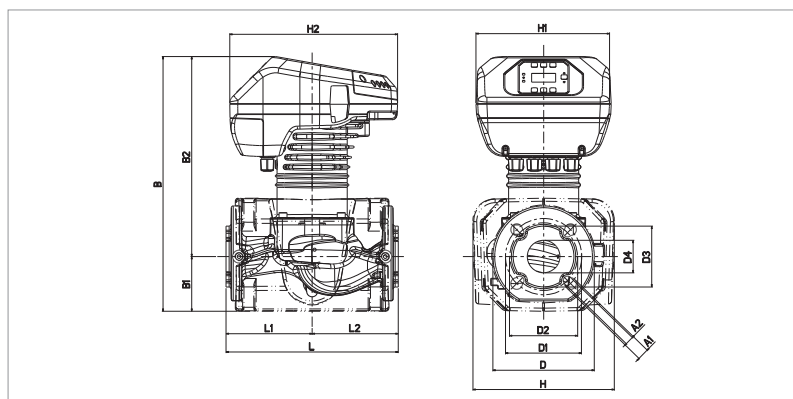
# EVOPLUS SAN - WET ROTOR ELECTRONIC CIRCULATORS

Pumped liquid temperature range: from -10 °C to +110 °C - Maximum operating pressure: 16 bar (1600 kPa)



The curves are based on kinematic viscosity values = 1 mm²/s and density equal to 1000 kg/m³. Curve tolerance according to ISO 9906. Fixed speed curves available on the DNA.

MODEL	CENTRE DISTANCE mm	COUNTERFLANGES ON REQUEST	POWER INPUT 50/60 Hz	P1 MAX W	In A	MINIMUM SUCTION PRESSURE			WEIGHT Kg
						t°	90°	100°	
EVOPLUS B 100/280.50 SAN M	280	DN 50 PN 10	220/240 V	430	2,1	m.c.w.	20	25	22
EVOPLUS B 120/280.50 SAN M	280	DN 50 PN 10	220/240 V	530	2,5	m.c.w.	20	25	21,8

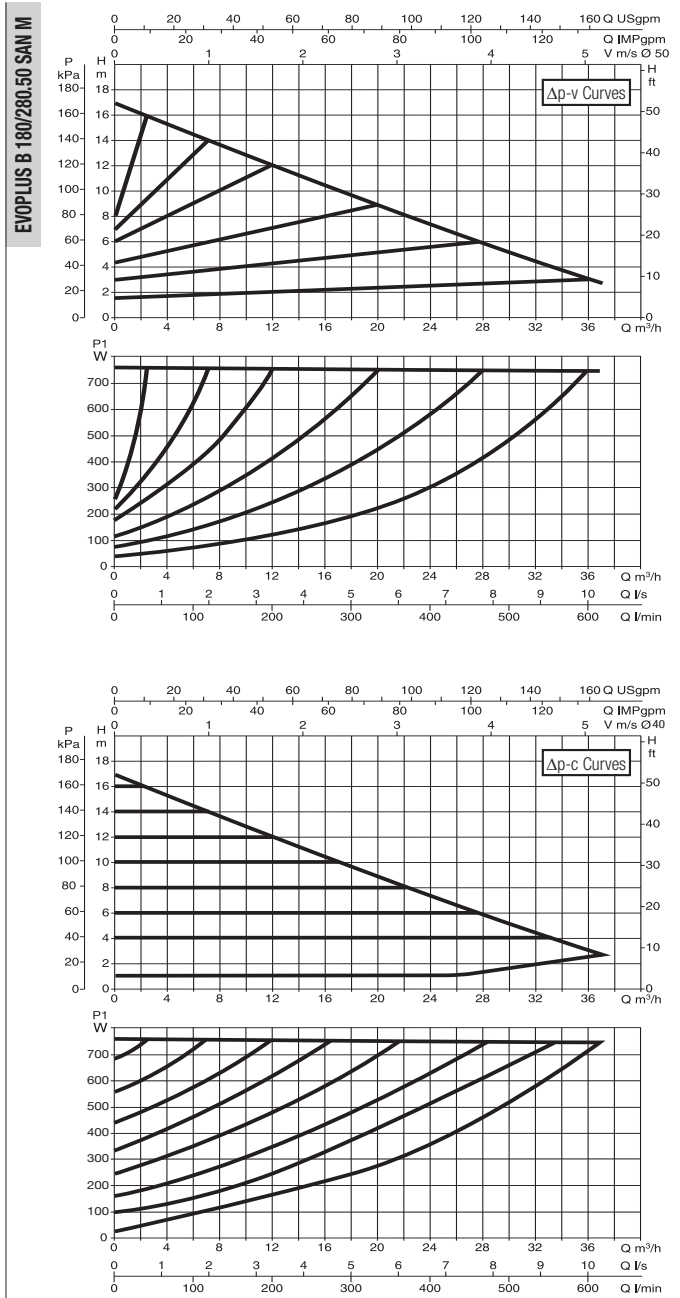
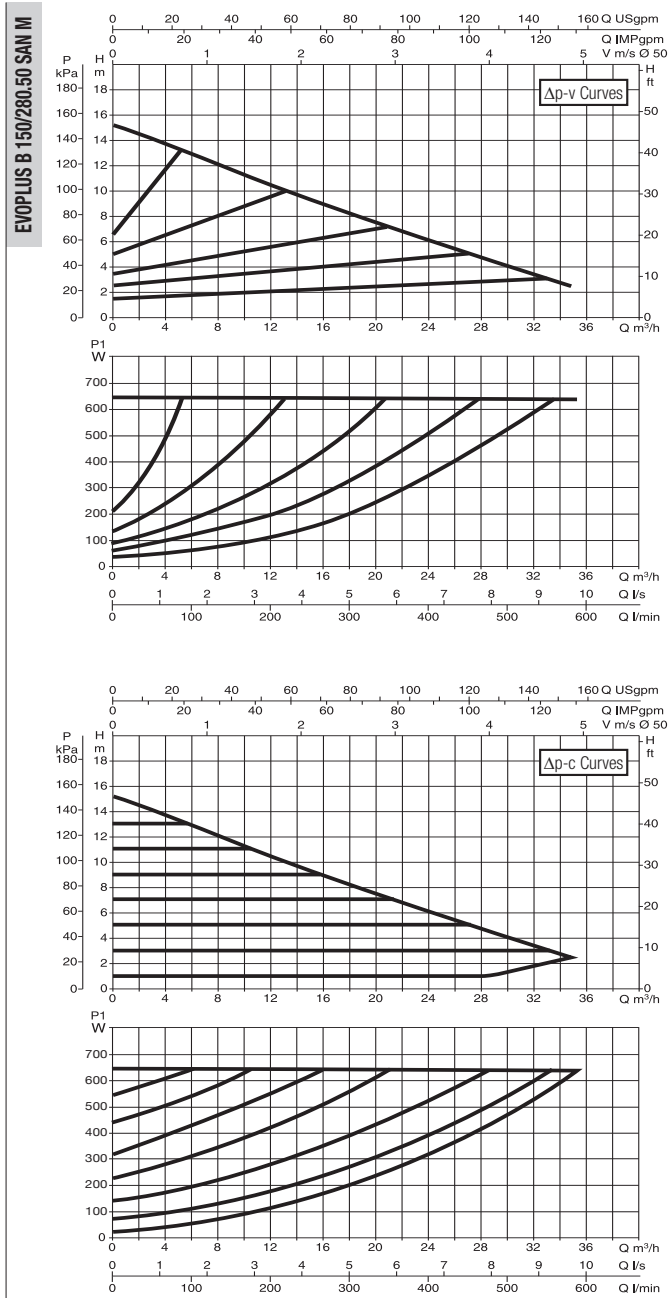


L	L1	L2	A1	A2	B	B1	B2
280	140	140	19	14	413	87	325

D	D1	D2	D3	D4	H	H1	H2
165	125	110	99	53	230	220	273

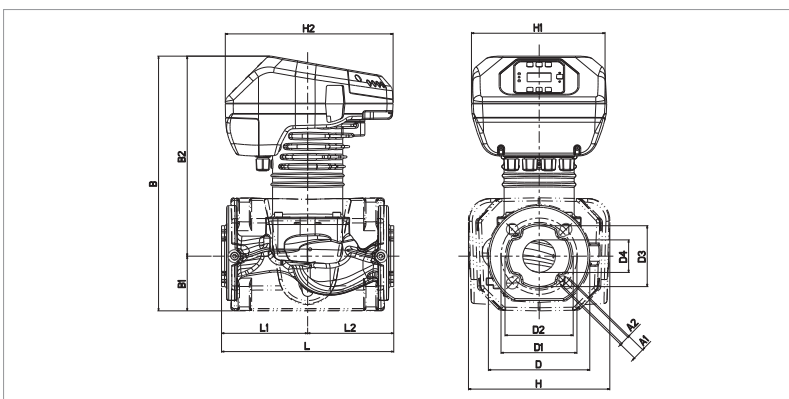
# EVOPLUS SAN - WET ROTOR ELECTRONIC CIRCULATORS

Pumped liquid temperature range: from -10 °C to +110 °C - Maximum operating pressure: 16 bar (1600 kPa)



The curves are based on kinematic viscosity values = 1 mm<sup>2</sup>/s and density equal to 1000 kg/m<sup>3</sup>. Curve tolerance according to ISO 9906. Fixed speed curves available on the DNA.

MODEL	CENTRE DISTANCE mm	COUNTERFLANGES ON REQUEST	POWER INPUT 50/60 Hz	P1 MAX W	In A	MINIMUM SUCTION PRESSURE			WEIGHT Kg
						t°	90°	100°	
EVOPLUS B 150/280.50 SAN M	280	DN 50 PN 10	220/240 V	640	3	m.c.w.	20	25	22,8
EVOPLUS B 180/280.50 SAN M	280	DN 50 PN 10	220/240 V	750	3,45	m.c.w.	20	25	22,8

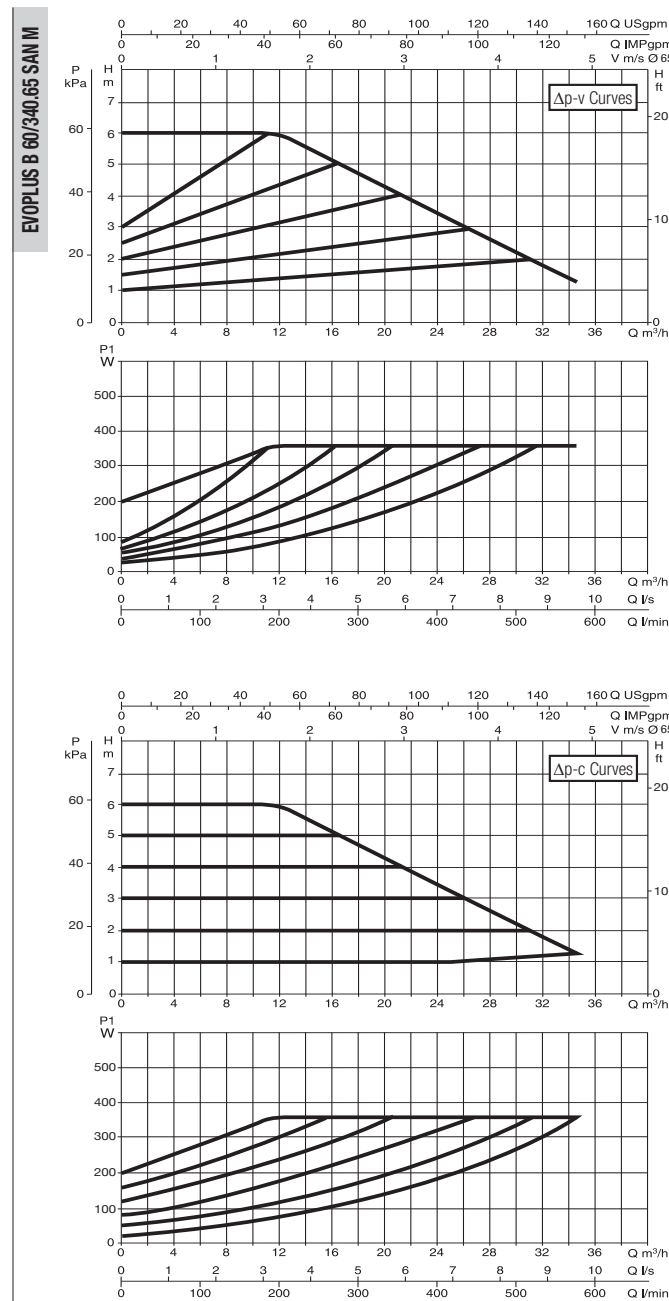
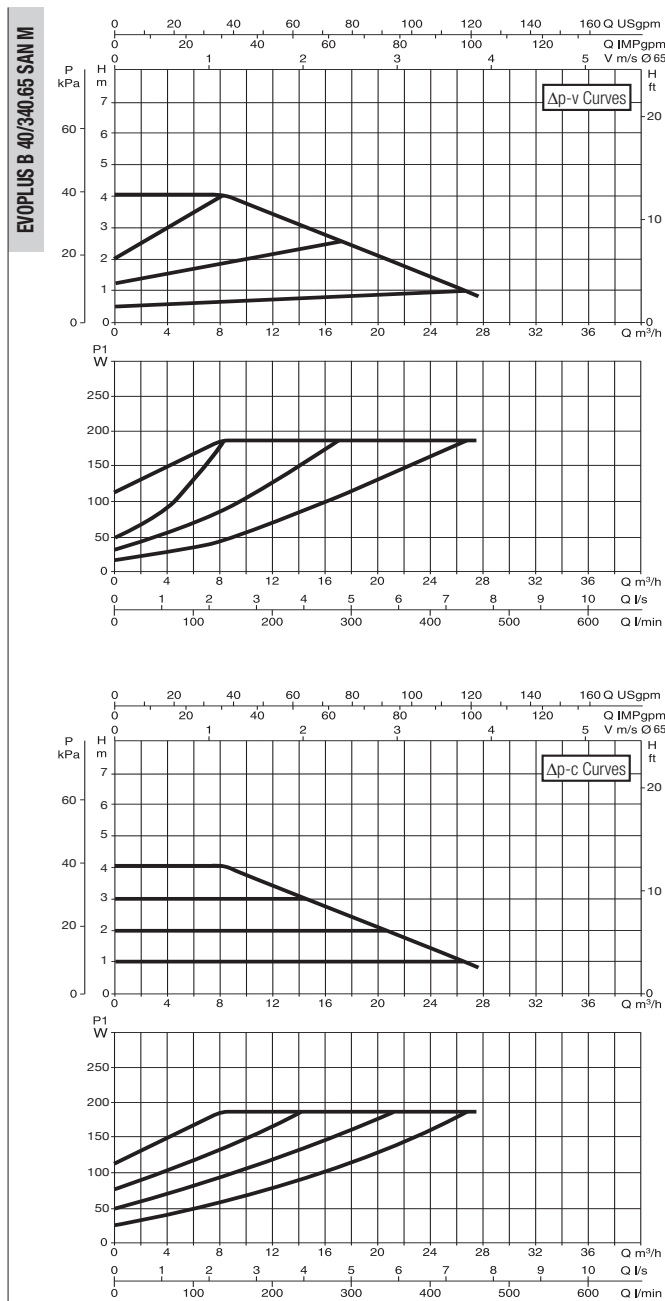


L	L1	L2	A1	A2	B	B1	B2
280	140	140	19	14	413	87	325

D	D1	D2	D3	D4	H	H1	H2
165	125	110	99	53	230	220	273

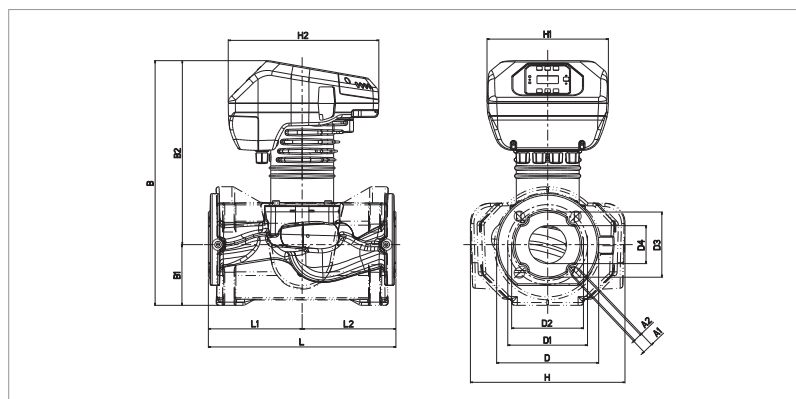
# EVOPLUS SAN - WET ROTOR ELECTRONIC CIRCULATORS

Pumped liquid temperature range: from -10 °C to +110 °C - Maximum operating pressure: 16 bar (1600 kPa)



The curves are based on kinematic viscosity values = 1 mm²/s and density equal to 1000 kg/m³. Curve tolerance according to ISO 9906. Fixed speed curves available on the DNA.

MODEL	CENTRE DISTANCE mm	COUNTERFLANGES ON REQUEST	POWER INPUT 50/60 Hz	P1 MAX W	In A	MINIMUM SUCTION PRESSURE			WEIGHT Kg
						t°	90°	100°	
<b>EVOPLUS B 40/340.65 SAN M</b>	340	DN 65 PN 10	220/240 V	190	1,1	m.c.w.	20	25	27
<b>EVOPLUS B 60/340.65 SAN M</b>	340	DN 65 PN 10	220/240 V	355	1,8	m.c.w.	20	25	27,2

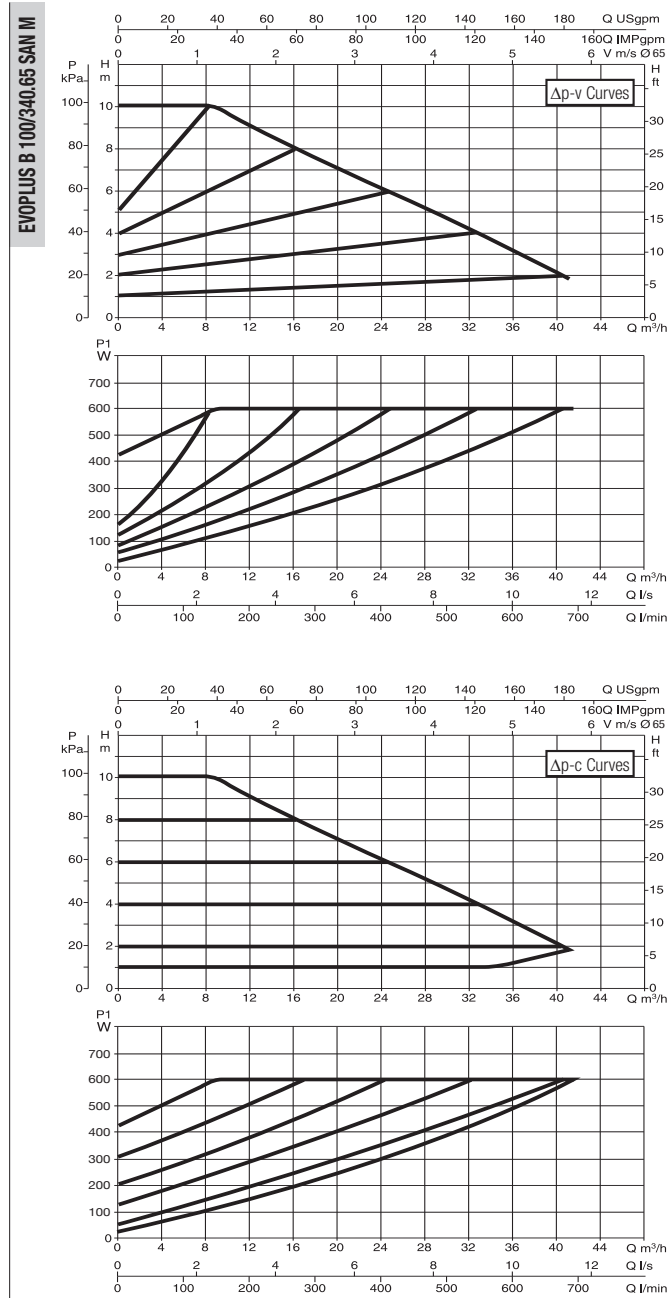
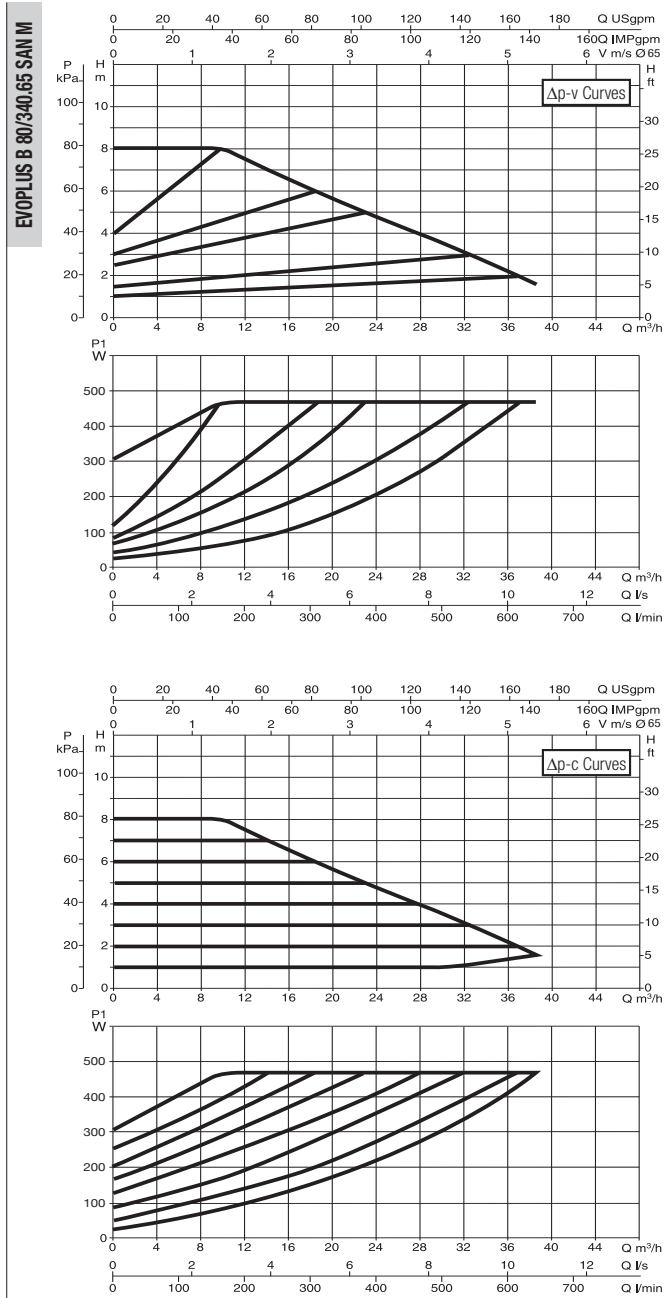


L	L1	L2	A1	A2	B	B1	B2
340	170	170	19	14	443	110	333

D	D1	D2	D3	D4	H	H1	H2
185	145	130	118	69	280	220	273

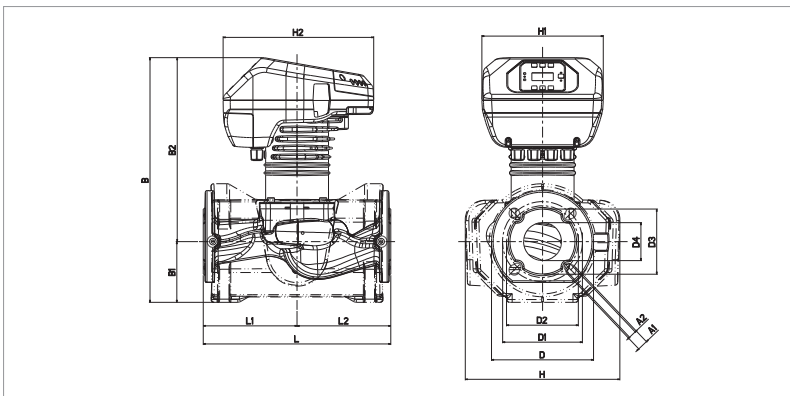
# EVOPLUS SAN - WET ROTOR ELECTRONIC CIRCULATORS

Pumped liquid temperature range: from -10 °C to +110 °C - Maximum operating pressure: 16 bar (1600 kPa)



The curves are based on kinematic viscosity values = 1 mm²/s and density equal to 1000 kg/m³. Curve tolerance according to ISO 9906. Fixed speed curves available on the DNA.

MODEL	CENTRE DISTANCE mm	COUNTERFLANGES ON REQUEST	POWER INPUT 50/60 Hz	P1 MAX W	In A	MINIMUM SUCTION PRESSURE			WEIGHT Kg
						t°	90°	100°	
EVOPLUS B 80/340.65 SAN M	340	DN 65 PN 10	220/240 V	465	2,2	m.c.w.	20	25	27,8
EVOPLUS B 100/340.65 SAN M	340	DN 65 PN 10	220/240 V	590	2,8	m.c.w.	20	25	28

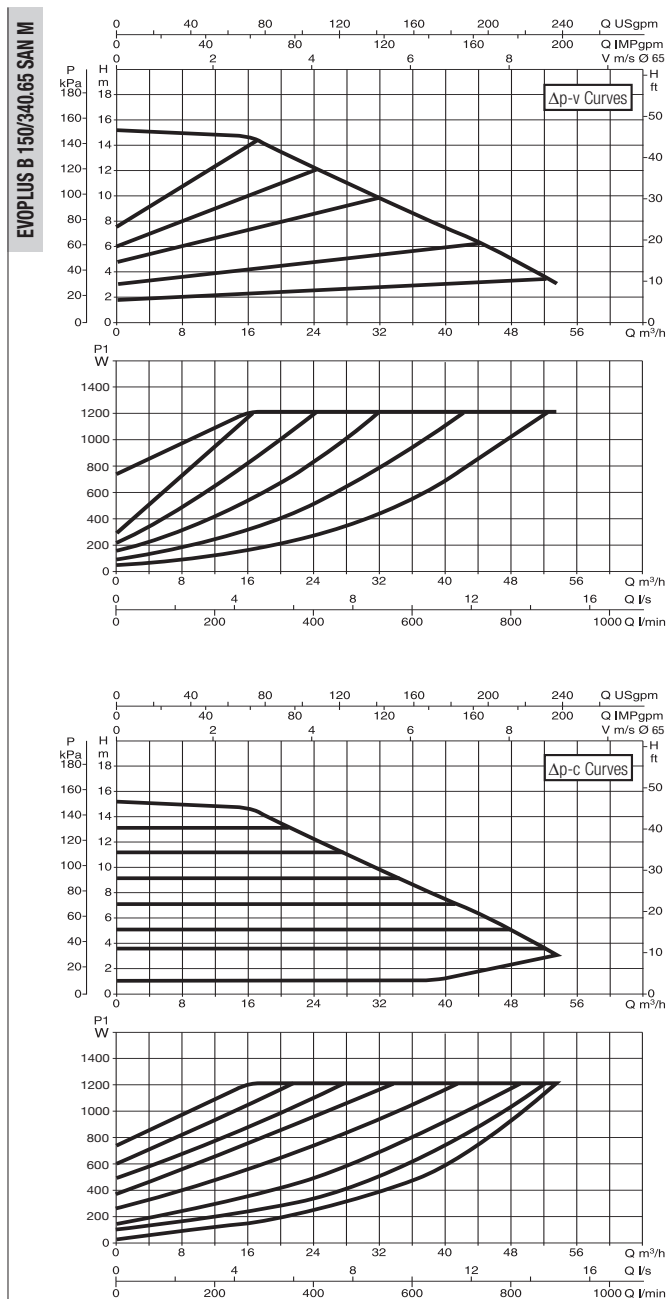
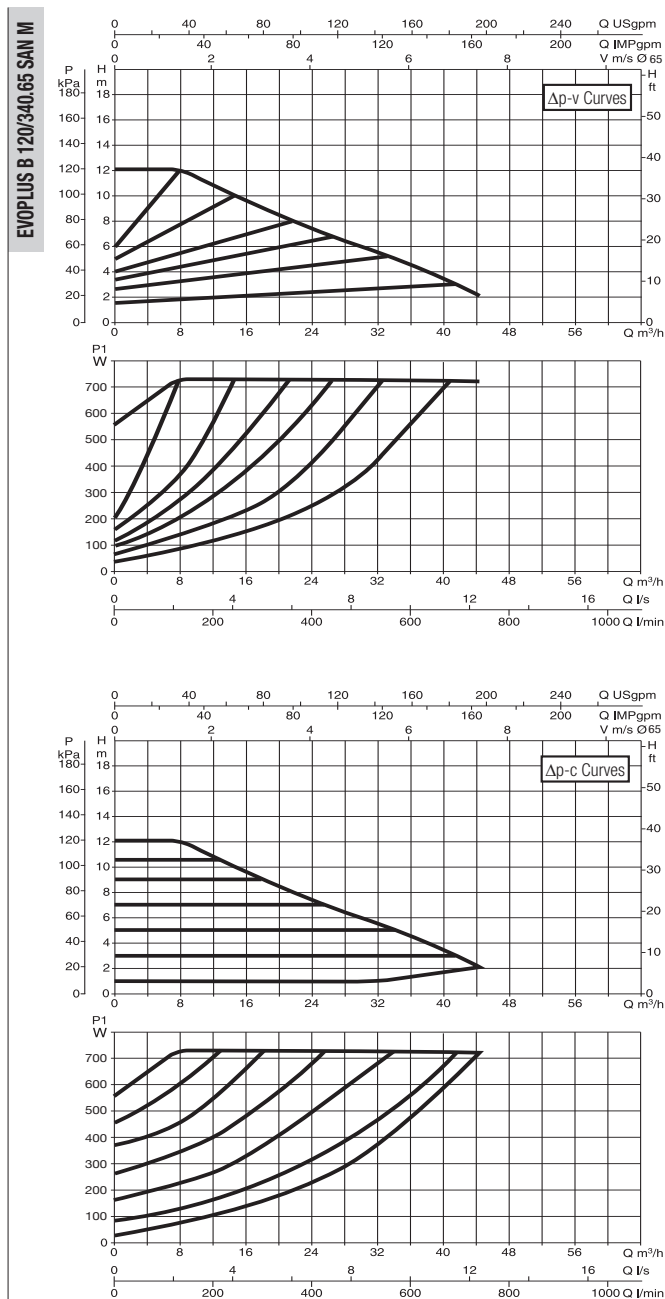


L	L1	L2	A1	A2	B	B1	B2
340	170	170	19	14	443	110	333

D	D1	D2	D3	D4	H	H1	H2
185	145	130	118	69	280	220	273

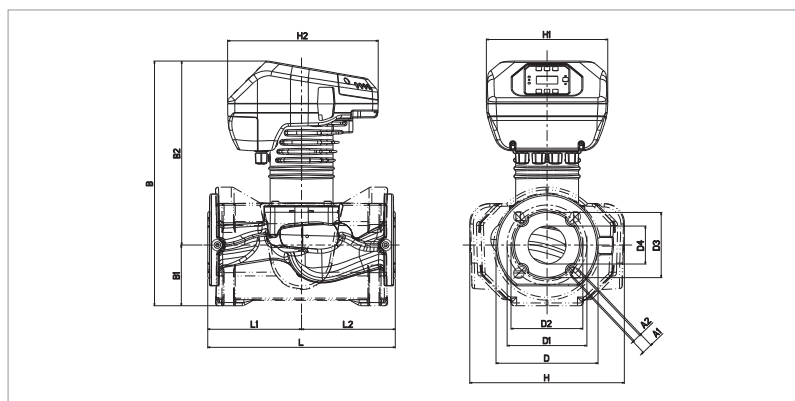
# EVOPLUS SAN - WET ROTOR ELECTRONIC CIRCULATORS

Pumped liquid temperature range: from -10 °C to +110 °C - Maximum operating pressure: 16 bar (1600 kPa)



The curves are based on kinematic viscosity values = 1 mm²/s and density equal to 1000 kg/m³. Curve tolerance according to ISO 9906. Fixed speed curves available on the DNA.

MODEL	INTERASSE mm	COUNTERFLANGES ON REQUEST	POWER INPUT 50/60 Hz	P1 MAX W	In A	MINIMUM SUCTION PRESSURE			WEIGHT Kg
						t°	90°	100°	
EVOPLUS B 120/340.65 SAN M	340	DN 65 PN 10	220/240 V	730	3,45	m.c.w.	20	25	28,2
EVOPLUS B 150/340.65 SAN M	340	DN 65 PN 10	220/240 V	1210	5,5	m.c.w.	20	25	30



L	L1	L2	A1	A2	B	B1	B2
340	170	170	19	14	443	110	333

D	D1	D2	D3	D4	H	H1	H2
185	145	130	118	69	280	220	273

# DAB

P U M P S S E L E C T O R



## On-line selection tool



**DAB PUMPS LTD.**

6 Gilbert Court  
Newcomen Way  
Severalls Business Park  
Colchester  
Essex  
CO4 9WN - UK  
salesuk@dwtgroup.com  
Tel. +44 0333 777 5010



**DAB PUMPS IBERICA S.L.**

Calle Verano 18-20-22  
28850 - Torrejón de Ardoz - Madrid  
Spain  
Info.spain@dwtgroup.com  
Tel. +34 91 6569545  
Fax: + 34 91 6569676



**DAB PUMPS SOUTH AFRICA (PTY) LTD**

Twenty One industrial Estate,  
16 Purlin Street, Unit B, Warehouse 4  
Olifantsfontein -1666 - South Africa  
info.sa@dwtgroup.com  
Tel. +27 12 361 3997



**DAB PUMPS BV**

\*Hofveld 6 C1  
1702 Groot Bijgaarden - Belgium  
info.belgium@dwtgroup.com  
Tel. +32 2 4668353



**DAB PUMPS HUNGARY KFT.**

H-8800  
Nagykanizsa, Buda Ernő u.5  
Hungary  
Tel. +36 93501700



**DAB PUMPS (QINGDAO) CO. LTD.**

No.40 Kaituo Road, Qingdao Economic & Technological  
Development Zone  
Qingdao City, Shandong Province - China  
PC: 266500  
sales.cn@dwtgroup.com  
Tel. +86 400 186 8280  
Fax +86 53286812210



**DAB PUMPS B.V.**

Albert Einsteinweg, 4  
5151 DL Drunen - Nederland  
info.netherlands@dwtgroup.com  
Tel. +31 416 387280  
Fax +31 416 387299



**DAB PUMPS POLAND Sp. z o.o.**

Ul. Janka Muzykanta 60  
02-188 Warszawa - Poland  
polska@dabpumps.com.pl



**DAB PUMPS DE MÉXICO, S.A. DE C.V.**

Av Amsterdam 101 Local 4  
Col. Hipódromo Condesa,  
Del. Cuauhtémoc CP 06170  
Ciudad de México  
Tel. +52 55 6719 0493



**OOO DAB PUMPS**

Novgorodskaya str. 1, block G  
office 308, 127247, Moscow - Russia  
info.russia@dwtgroup.com  
Tel. +7 495 122 0035  
Fax +7 495 122 0036



**DAB PUMPS OCEANIA PTY LTD**

426 South Gippsland Hwy,  
Dandenong South VIC 3175 - Australia  
info.oceania@dwtgroup.com  
Tel. +61 1300 373 677



**DAB PUMPS GMBH**

Am Nordpark 3  
D - 41069 Mönchengladbach - Germany  
info.germany@dwtgroup.com  
Tel. +49 2161 47388-0  
Fax +49 2161 47388-36



**DAB PUMPS INC.**

3226 Benchmark Drive  
Ladson, SC 29456 - USA  
info.usa@dwtgroup.com  
Tel. 1- 843-797-5002  
Fax 1-843-797-3366



**PT DAB PUMPS INDONESIA**

Satrio Tower lantai 26  
unit C-D, Jl. Prof. Dr. Satrio Kav. C4,  
Kel. Kuningan Timur, Kec. Setiabudi, Kota Adm.  
Jakarta Selatan, Prov. DKI Jakarta. - Indonesia  
Tel. +62 2129222850