



# GLAND SEALED GLOBE VALVE

## ASV-Series

CAST IRON, DUCTILE CAST IRON, CAST STEEL

RELIABLE AND SOLID GLOBE VALVE WITH STAINLESS STEEL SEATING

### Features

Two-port globe valves available in cast iron, ductile cast iron or cast steel.

1. Solid stem, plug and seat made of stainless steel.
2. High-quality gland packing and gland fixture with flap-type screws.
3. Stem burnished.
4. Stem with rolled thread.
5. Favourable zeta values also for small diameters.
6. Asbestos-free.
7. Throttling plug available as option.

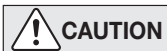


### Specifications

Model	ASV12.006	ASV23.006	ASV35.006
Body Material	EN-GJL-250	EN-GJS-400-18U-LT	GP240GH+N
Connection*, Pressure Rating	Flanged DIN 2501 PN 16	Flanged DIN 2501 PN 25	Flanged DIN 2501 PN 40
Size**	DN 15, 20, 25, 32, 40, 50, 65, 80, 100, 125, 150		
Maximum Working Temperature (°C)	300	350	400

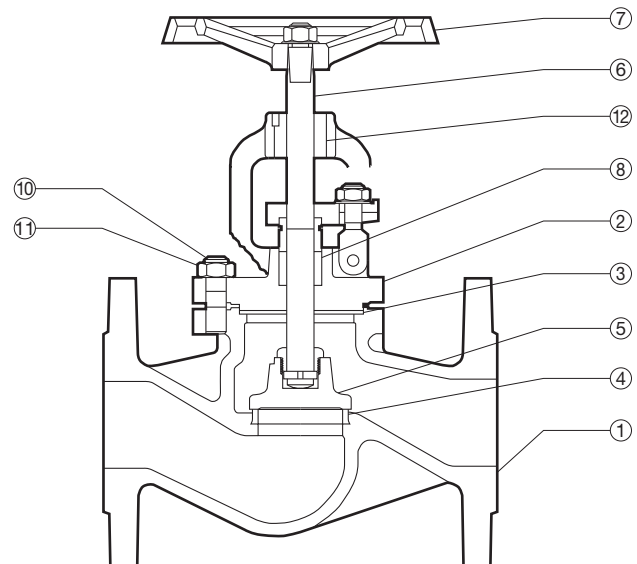
\* Other connections available \*\* Larger sizes available

1 bar = 0.1 MPa



To avoid abnormal operation, accidents or serious injury, DO NOT use this product outside of the specification range. Local regulations may restrict the use of this product to below the conditions quoted.

No.	Description	Model	EN	
①	Body	ASV12.006	Cast Iron	EN-JL 1040
		ASV23.006	Ductile Cast Iron	EN-JS 1049
		ASV35.006	Cast Steel	1.0619+N
②	Bonnet	ASV12.006	Cast Iron	EN-JL 1040
		ASV23.006	Ductile Cast Iron	EN-JS 1049
		ASV35.006	Cast Steel	1.0619+N
③	Bonnet Gasket	Graphite/Stainl. Steel	—	
④	Seat Ring	Stainless Steel	1.4021+QT <sup>1)</sup>	
⑤	Plug	Stainless Steel	1.4021+QT	
⑥	Stem	Stainless Steel	1.4021+QT	
⑦	Handwheel	Cast Iron	EN-JL 1040	
⑧	Gland Packing	Graphite	—	
⑨	Hexagon Bolt <sup>2)</sup>	Carbon Steel	—	
⑩	Stud Bolt <sup>3)</sup>	Alloy Steel	1.7218	
⑪	Hexagon Nut <sup>3)</sup>	Alloy Steel	1.1181	
⑫	Threaded Bushing <sup>4)</sup>	Carbon Steel	1.0715+C	



ASV35.006 shown

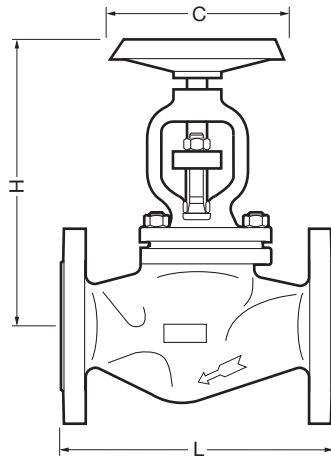
Copyright © TLV

<sup>1)</sup> ASV35.006 DN 65-150: 1.4551 <sup>2)</sup> ASV12.006 only, not shown

<sup>3)</sup> ASV23.006, ASV35.006 only <sup>4)</sup> ASV35.006 only

**Dimensions**

- **ASV12.006 PN16 Flanged**
- **ASV23.006 PN25**
- **ASV35.006 PN40**



ASV35.006 shown

**ASV Flanged** (mm)

DN	L		H	φ C	Weight (kg)		
	DIN 2501				12.006	23.006	35.006
	PN16, 25, 40						
15	130		185	120	3.5	3.9	4.8
20	150				4	4.3	5.4
25	160		205	140	5	5.4	7.1
32	180				6.8	7	8
40	200		230	160	9.3	9.5	11.5
50	230				12.2	12.9	13.5
65	290		270	180	18	18.4	23.5
80	310		305	200	24.5	24.5	28
100	350		355	225	35	36	39.5
125	400		395	250	55	56	61
150*	480		450	400	77	78	84

\* Larger sizes available

**Cv&Kvs Values**

DN	15	20	25	32	40	50	65	80	100	125	150
Kvs (DIN)	4.2	7.4	12	19	31	47	77	120	188	288	410
Cv (UK)	4.1	7.2	11.6	18	30	46	75	117	182	280	398
Cv (US)	4.9	8.6	14	22	36	55	90	140	219	336	478

**TLV EURO ENGINEERING U.K.**

Star Lodge, Montpellier Drive  
 Cheltenham, Gloucestershire GL50 1TY  
 Tel: 01242-227223 Fax: 01242-223077

Manufacturer:  
 ARI ARMATUREN