

CV216/316, 225/325, 240/340 S/E



Standard control valves

2- or 3-way, DN 15-300, for high temperature and pressure

CV216/316, 225/325, 240/340 S/E

Suitable in building and process engineering for various mediums.
Suitable with stuffing box extension or stem seal with stainless steel bellow and for valves made of stainless steel from -30°C up to 350°C.

Key features

> **Microprocessor controlled**
Multifunctional adjustable.

> **Different body materials – Various pressure classes**
Available in cast iron, ductile iron, cast steel and stainless steel – from PN 16 up to PN 40.



Technical description

Application:

Chilled and hot-water with max. 50% antifreeze and anti-corrosive compounds: glycol, ethyl alcohol glycol, mono ethyl alcohol, ethyl, methyl alcohol, glycerine, antifrogen® N+L, media based on mineral oil, steam and oil.

Function:

CV216/225/240S/240E: 2-way control valve
CV316/325/340S/340E: 3-way mixing valve (for diverting valve with reduced closing pressure – please contact IMI Hydronic Engineering)

Characteristics:

CV216/225/240S/240E:
DN 15-50: equal % (option: linear)
DN 65-300: equal % mod. (option: linear)
Perforated plug: equal % (option: linear)
CV316/325/340S/340E:
DN 15-40: A-AB equal % (option: linear), B-AB linear
DN 50-300: A-AB equal % mod. (option: linear), B-AB linear

Dimensions:

CV216: DN 125-300
CV316: DN 125-300
CV225/325: DN 15-200
CV240/340S, CV240/340E: DN 15-300

Pressure class:

CV216/316: PN 16
CV225/325: PN 16/25/40
CV225/325 (DN 150): PN 16/25
CV225/325 (DN 200): PN 16
CV240S/340S: PN 40
CV240E/340E: PN 40

Temperature:

Max. working temperature: 180°C
Min. working temperature: 0°C
For lower and higher temperatures (-30°C – 350°C) please contact IMI Hydronic Engineering.

Leakage rate:

EN 1349 - seat-leakage IV L1 ($\leq 0.01\%$ of Kvs-value).

Max. lift of the control valve:

DN 15-40: 20 mm
DN 50-65: 30 mm
DN 80-100: 50 mm
DN 125-200: 60 mm
DN 250-300: 80 mm

Rangeability:

$\geq 50:1$

Material:

Body:
CV216/316: Cast iron EN-JL1040
CV225/325: Ductile iron EN-JS1024
CV240S/340S: Cast steel 1.0619+N
CV240E/340E: Stainless steel 1.4408
Plug: CrNi-steel 1.4057. CV240E/340E: CrNi-steel 1.4571.
Stem: CrMo-steel 1.4122. CV240E/340E: CrNi-steel 1.4571.
Stem sealing: EPDM O-rings (chilled and hot-water with max. 50% antifreeze and anti-corrosive compounds: glycol, ethyl alcohol glycol, mono ethyl alcohol, ethanol, methyl alcohol, glycerine, antifrogen® N+L).

Surface treatment:

CVxxxS: 1K-zinc-rich primer, grey.
CVxxxE: Non treated.

Marking:

IMI TA, PN, DN, valve type, material, identification number, batch number and flow direction arrow.
(in case of 3-way valves names of ports also - A, B, AB)

Connection:

CV216/225/316/325: Flanges according to EN 1092-2 type 21.
CV240S/240E/340S/340E: Flanges according to EN 1092-1 type 21.

Face to face length:

According to EN 558-1 basic series 1.

Actuators:

TA-MC103, TA-MC163, TA-MC223, TA-MC403, TA-MC503, TA-MC1003, TA-MC1503, TA-MH2503*.
Fail-safe**: TA-MC103SE, TA-MC253SE.

*) Special order.

**) For 2-way valves only.

Valve variants and accessories

For two-way and three-way valves

- Plug and seat ground; EN 1349 - seat-leakage IV-S1 L1 ($\leq 0.0005\%$ of Kvs-value). The plug and seat are machined together to minimize leakage.
- Plug with soft sealing made of NBR, EPDM, PTFE; EN 1349 – seat-leakage VI G1 (tight sealing).
- Stem heater: Temperature down to -30°C , 24 VAC, 50 Hz or 24 VDC, $P_{\text{max}} \approx 400 \text{ VA}$, $P_{\text{N}} \approx 30 \text{ VA}$, S1 100% ED, IP 54. Fuse protection circuit breaker 16A, tripping characteristic “B”.
- Stem seal with stainless steel bellow;
 - for valves made of cast iron $-10^{\circ}\text{C} - +200^{\circ}\text{C}$.
 - for valves made of ductile iron and cast steel $-10^{\circ}\text{C} - +350^{\circ}\text{C}$ (stuffing box made of graphite).
 - for valves made of stainless steel $-30^{\circ}\text{C} - +350^{\circ}\text{C}$ (stuffing box made of graphite).
- Stuffing box extension, 100 mm;
 - for valves made of ductile iron and cast steel $-10^{\circ}\text{C} - +350^{\circ}\text{C}$.
 - for valves made of cast steel and stainless steel $-30^{\circ}\text{C} - +350^{\circ}\text{C}$.
- Stem sealings;
 - FKM O-rings: 0 - 150°C (media based on mineral oil).
 - Fluoraz[®] O-rings: 0 - 200°C (hot water, steam and oil).
 - Graphite packing ¹⁾: 0 - 350°C (hot water, steam and oil).
- Epoxy resin special varnish as a corrosion resistant in case of condensed water, max. 80°C ²⁾.
- Technical silicone free version, max. 180°C .
- Oil and fat free for oxygen application.

For two-way valves

- Screwed seat;
 - for valves made of cast iron, ductile iron and cast steel made of 1.4122 (unhardened or hardened).
 - for valves made of stainless steel (made of 1.4571).
- Perforated plug;
 - for valves made of cast iron, ductile iron and cast steel made of 1.4057 (unhardened or hardened).
 - for valves made of stainless steel (made of 1.4571).
- Housing seat SKWAM plated or Stellite 6 plated ³⁾.
- Balanced plug, max. operating temperature 200°C .

1) Only in combination with stuffing box extension or stem seal with stainless steel bellow.

2) Except valves made of stainless steel.

3) Only for valves made of ductile iron, cast steel and stainless steel.

To order a special valve variant contact IMI Hydronic Engineering or use the software HySelect.

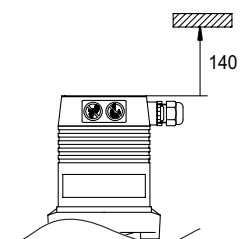
See also sections “Accessories for actuators” and “Accessories for valves”.

Installation

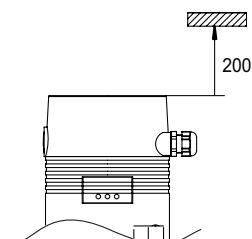
Valve trim could be damaged by dirt in the pipe system. Installation of strainers are recommended.

Note! A free space above the actuators is necessary.

MC103/103SE/163/223



MC253SE/403/503/1003/1503/MH2503



Technical data – Valve CV216 and CV316 with actuator

CV216 – PN 16

DN			125	150	200	250	300
Kvs			250	400	630	1000	1250
			200 ^S	315 ^S	500 ^S	800	1000
			160	250	400	630	800
			125 ^{S/L}	200 ^{S/L}	315 ^{S/L}	500 ^L	630 ^L
Stroke		mm	60	60	60	80	80
TA-MC403/24 TA-MC403/230	t ¹⁾	s	40	40			
	Δp_s	kPa	200	130			
TA-MC503/24 TA-MC503/230	t ¹⁾	s	300	300			
	Δp_s	kPa	290	190			
TA-MC1003/24 TA-MC1003/230	t	s	60	60	60	80	
	Δp_s	kPa	500	350	200	100	
TA-MC1503/24 TA-MC1503/24	t	s	120	120	120	160	160
	Δp_s	kPa	950	700	370	220	150

DN			125	150	200	250	300
Kvs			250	400	630	1000	1600
			200 ^S	315 ^S	500 ^S	800	1250
			160	250	400	630	1000
			125 ^{S/L}	200 ^{S/L}	315 ^{S/L}	500 ^L	800
Stroke		mm	60	60	60	90	90
TA-MH2503/230	t	s	30	30	30	50	50
	Δp_s	kPa	1600	1250	690	440	300

100 kPa = 1 bar = 10 mWS

Δp_s = Closing pressure

1) Actuating time freely adjustable, presetting is marked with *

L) Available with perforated plug

S) Special Kvs value

CV316 – PN 16

DN			125	150	200	250	300
Kvs			250	400	630	1000	1250
			200	315	500	800	1000
			160 ^S	250 ^S	400 ^S	630	800
			125 ^S	200 ^S	315 ^S	500	630
Stroke		mm	60	60	60	80	80
TA-MC403/24	t ¹⁾	s	40	40			
TA-MC403/230		s	25*	25*			
		Δp_s	kPa	200	130		
TA-MC503/24	t ¹⁾	s	300	300			
TA-MC503/230		s	150*	150*			
		Δp_s	kPa	290	190		
TA-MC1003/24	t	s	60	60	60	80	
TA-MC1003/230	Δp_s	kPa	500	350	200	100	
		kPa					
TA-MC1503/24	t	s	120	120	120	160	160
TA-MC1503/24	Δp_s	kPa	950	700	370	220	150
		kPa					

DN			125	150	200	250	300
Kvs			250	400	630	1000	1600
			200	315	500	800	1250
			160 ^S	250 ^S	400 ^S	630	1000
			125 ^S	200 ^S	315 ^S	500	800
Stroke		mm	60	60	60	90	90
TA-MH2503/230	t	s	30	30	30	50	50
		Δp_s	kPa	1600	1250	690	440

100 kPa = 1 bar = 10 mWS

Δp_s = Closing pressure

1) Actuating time freely adjustable, presetting is marked with *

S) Special Kvs value

Technical data – Valve CV225 and CV325 with actuator

CV225 – PN 16, PN 25, PN 40

DN		15	15	20	25	32	40	50	65 ²⁾	80	100 ²⁾	125 ²⁾	150 ³⁾	200 ⁴⁾
Kvs		4 ^L	2.5	6.3 ^L	10	16	25	40	63	100	160	250	400	630
			1.6	5 ^{S/L}	8 ^{S/L}	12.5 ^S	20 ^S	31.5 ^S	50 ^S	80 ^S	125 ^S	200 ^S	315 ^S	500 ^S
			1.25	4 ^L	6.3 ^L	10 ^L	16 ^L	25 ^L	40 ^L	63 ^L	100 ^L	160	250	400
			1.0	2.5 ^{S/L}	5 ^{S/L}	8 ^{S/L}	12.5 ^{S/L}	20 ^{S/L}	31.5 ^{S/L}	50 ^{S/L}	80 ^{S/L}	125 ^{S/L}	200 ^{S/L}	315 ^{S/L}
			0.63											
			0.4											
			0.25											
		0.16												
Stroke	mm	20	20	20	20	20	20	30	30	50	50	60	60	60
TA-MC103/24 TA-MC103/230	t ¹⁾	s	240	240	240	240	240	240						
			180	180	180	180	180	180						
			80*	80*	80*	80*	80*	80*						
			40	40	40	40	40	40						
	Δp _s	kPa	1250	3500	1250	1050	600	350						
TA-MC163/24 TA-MC163/230	t ¹⁾	s	120	120	120	120	120	120	180	180				
			80*	80*	80*	80*	80*	80*	120*	120*				
	Δp _s	kPa	2400	4000	2400	2050	1250	750	450	300				
TA-MC223/24 TA-MC223/230	t ¹⁾	s	60	60	60	60	60	60	90	90				
	Δp _s	kPa	4000	3200	3200	2700	1700	1100	700	450				
TA-MC403/24 TA-MC403/230	t ¹⁾	s	15	15	15	15	15	15	20	20	30	30	40	40
			10*	10*	10*	10*	10*	10*	15*	15*	20*	20*	25*	25*
	Δp _s	kPa	4000	4000	4000	4000	3700	2400	1500	950	650	400	200	130
TA-MC503/24 TA-MC503/230	t ¹⁾	s	100	100	100	100	100	100	150	150	250	250	300	300
			50*	50*	50*	50*	50*	50*	75*	75*	125*	125*	150*	150*
	Δp _s	kPa	4000	4000	4000	4000	4000	3150	1950	1250	850	500	290	190
TA-MC1003/24 TA-MC1003/230	t	s								30	50	50	60	60
	Δp _s	kPa								2150	1500	950	500	350
TA-MC1503/24 TA-MC1503/24	t	s											120	120
	Δp _s	kPa											950	700

Fail-safe

TA-MC103SE/24 TA-MC103SE/230	t ¹⁾	s	120	120	120	120	120	120						
			80*	80*	80*	80*	80*	80*						
	F-S t	s	~2	~2	~2	~2	~2	~2						
	Δp _s	kPa	1250	3500	1250	1050	600	350						
TA-MC253SE/24 TA-MC253SE/230	t ¹⁾	s	50	50	50	50	50	50	75	75				
	F-S t	s	~2	~2	~2	~2	~2	~2	~3	~3				
	Δp _s	kPa	4000	4000	4000	3500	2200	1400	850	540				

DN			125 ²⁾	150 ³⁾	200 ⁴⁾
Kvs			250	400	630
			200 ^S	315 ^S	500 ^S
			160	250	400
			125 ^{S/L}	200 ^{S/L}	315 ^{S/L}
Stroke	mm		60	60	60
TA-MH2503/230	t	s	30	30	30
	Δp _s	kPa	1800	1250	690

100 kPa = 1 bar = 10 mWS

Δp_s = Closing pressure. The closing pressure is limited by the nominal pressure.

1) Actuating time freely adjustable, presetting is marked with *

2) PN 16 or PN 25-40

3) PN 16 or PN 25

4) PN 16

L) Available with perforated plug

S) Special Kvs value

Technical data – Valve CV240S/E, CV340S/E with actuator

CV240S, CV240E – PN 40

DN			15	15	20	25	32	40	50	65	80	100	125	150	200	250	300	
Kvs		4 ^L	2.5	6.3 ^L	10	16	25	40	63	100	160	250	400	630	1000	1250		
			1.6	5 ^{S/L}	8 ^{S/L}	12.5 ^S	20 ^S	31.5 ^S	50 ^S	80 ^S	125 ^S	200 ^S	315 ^S	500 ^S	800	1000		
			1.25	4 ^L	6.3 ^L	10 ^L	16 ^L	25 ^L	40 ^L	63 ^L	100 ^L	160	250	400	630	800		
			1.0	2.5 ^{S/L}	5 ^{S/L}	8 ^{S/L}	12.5 ^{S/L}	20 ^{S/L}	31.5 ^{S/L}	50 ^{S/L}	80 ^{S/L}	125 ^{S/L}	200 ^{S/L}	315 ^{S/L}	500 ^L	630 ^L		
			0.63															
			0.4															
			0.25															
			0.16															
Stroke	mm		20	20	20	20	20	20	30	30	50	50	60	60	60	80	80	
TA-MC103/24 TA-MC103/230	t ¹⁾	s	240	240	240	240	240	240										
			180	180	180	180	180	180										
			80*	80*	80*	80*	80*	80*										
			40	40	40	40	40	40										
	Δp _s	kPa	1250	3500	1250	1050	600	350										
TA-MC163/24 TA-MC163/230	t ¹⁾	s	120	120	120	120	120	120	180	180								
			80*	80*	80*	80*	80*	80*	120*	120*								
	Δp _s	kPa	2400	4000	2400	2050	1250	750	450	300								
TA-MC223/24 TA-MC223/230	t ¹⁾	s	60	60	60	60	60	60	90	90								
	Δp _s	kPa	3200	4000	3200	2700	1700	1100	700	450								
TA-MC403/24 TA-MC403/230	t ¹⁾	s	15	15	15	15	15	15	20	20	30	30	40	40				
			10*	10*	10*	10*	10*	10*	15*	15*	20*	20*	25*	25*				
	Δp _s	kPa	4000	4000	4000	4000	3700	2400	1500	950	650	400	200	130				
TA-MC503/24 TA-MC503/230	t ¹⁾	s	100	100	100	100	100	100	150	150	250	250	300	300				
			50*	50*	50*	50*	50*	50*	75*	75*	125*	125*	150*	150*				
	Δp _s	kPa	4000	4000	4000	4000	4000	3150	1950	1250	850	500	290	190				
TA-MC1003/24 TA-MC1003/230	t	s								30	50	50	60	60	60	80		
	Δp _s	kPa								2150	1500	950	500	350	200	100		
TA-MC1503/24 TA-MC1503/24	t	s											120	120	120	160	160	
	Δp _s	kPa											950	700	370	220	150	

Fail-safe

TA-MC103SE/24 TA-MC103SE/230	t ¹⁾	s	120	120	120	120	120	120									
	F-S t	s	~2	~2	~2	~2	~2	~2									
	Δp _s	kPa	1250	3500	1250	1050	600	350									
TA-MC253SE/24 TA-MC253SE/23	t ¹⁾	s	50	50	50	50	50	50	75	75							
	F-S t	s	~2	~2	~2	~2	~2	~2	~3	~3							
	Δp _s	kPa	4000	4000	4000	3500	2200	1400	850	540							

DN											125	150	200	250	300
Kvs											250	400	630	1000	1250
											200 ^S	315 ^S	500 ^S	800	1000
											160	250	400	630	800
											125 ^{S/L}	200 ^{S/L}	315 ^{S/L}	500 ^L	630 ^L
Stroke	mm										60	60	60	90	90
TA-MH2503/230	t	s									30	30	30	50	50
	Δp _s	kPa									1800	1250	690	440	300

100 kPa = 1 bar = 10 mWS

Δp_s = Closing pressure. The closing pressure is limited by the nominal pressure

1) Actuating time freely adjustable, presetting is marked with *

L) Available with perforated plug

S) Special Kvs value

CV340S, CV340E – PN 40

DN		15	20	25	32	40	50	65	80	100	125	150	200	250	300	
Kvs		4	6.3	10	16	25	40	63	100	160	250	400	630	1000	1250	
		2.5	5	8	12.5	20	31.5	50	80	125	200	315	500	800	1000	
			4 ^S	6.3 ^S	10 ^S	16 ^S	25 ^S	40 ^S	63 ^S	100 ^S	160 ^S	250 ^S	400 ^S	630	800	1000
			2.5 ^S	5 ^S	8 ^S	12.5 ^S	20 ^S	31.5 ^S	50 ^S	80 ^S	125 ^S	200 ^S	315 ^S	500	630	800
Stroke		mm	20	20	20	20	20	30	30	50	50	60	60	60	80	80
TA-MC103/24 TA-MC103/230	t ¹⁾	s	240	240	240	240	240									
			180	180	180	180	180									
			80*	80*	80*	80*	80*									
			40	40	40	40	40									
	Δp _s	kPa	1250	1250	1050	600	350									
TA-MC163/24 TA-MC163/230	t ¹⁾	s	120	120	120	120	120	180	180							
			80*	80*	80*	80*	80*	120*	120*							
	Δp _s	kPa	2400	2400	2050	1250	750	450	300							
TA-MC223/24 TA-MC223/230	t ¹⁾	s	60	60	60	60	60	90	90							
	Δp _s	kPa	3200	3200	2700	1700	1100	700	450							
TA-MC403/24 TA-MC403/230	t ¹⁾	s	15	15	15	15	15	20	20	30	30	40	40			
			10*	10*	10*	10*	10*	15*	15*	20*	20*	25*	25*			
	Δp _s	kPa	4000	4000	4000	3700	2400	1500	950	650	400	200	130			
TA-MC503/24 TA-MC503/230	t ¹⁾	s	100	100	100	100	100	150	150	250	250	300	300			
			50*	50*	50*	50*	50*	75*	75*	125*	125*	150*	150*			
	Δp _s	kPa	4000	4000	4000	4000	3150	1950	1250	850	500	290	190			
TA-MC1003/24 TA-MC1003/230	t	s							30	50	50	60	60	60	80	
	Δp _s	kPa							2150	1500	950	500	350	200	100	
TA-MC1503/24 TA-MC1503/24	t	s										120	120	120	160	160
	Δp _s	kPa										950	700	370	220	150

DN		125	150	200	250	300
Kvs		250	400	630	1000	1250
		200	315	500	800	1000
		160 ^S	250 ^S	400 ^S	630	800
		125 ^S	200 ^S	315 ^S	500	630
Stroke		mm				
TA-MH2503/230	t	s				
	Δp _s	kPa				
			60	60	60	90
			30	30	30	50
			1800	1250	690	440
						300

100 kPa = 1 bar = 10 mWS

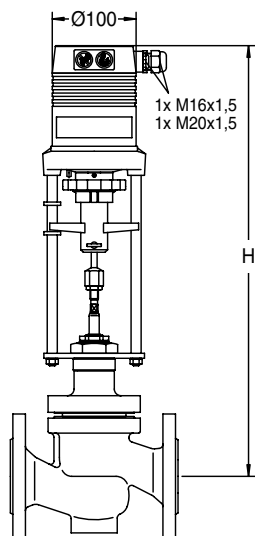
Δp_s = Closing pressure. The closing pressure is limited by the nominal pressure

1) Actuating time freely adjustable, presetting is marked with *

L) Available with perforated plug

S) Special Kvs value

TA-MC103



TA-MC103/24, TA-MC103/230

CV2xx/3xx + TA-MC103/24

DN	CV2xx + TA-MC103/24 H	CV3xx + TA-MC103/24 H	Kg*
15-20	500	460	2,5
25	500	465	2,5
32-40	515	475	2,5

CV2xx/3xx + TA-MC103/230

DN	CV2xx + TA-MC103/230 H	CV3xx + TA-MC103/230 H	Kg*
15-20	525	485	2,5
25	525	490	2,5
32-40	540	500	2,5

*) Actuator

Technical description

		TA-MC103/24 ⁵⁾	TA-MC103/230 ⁵⁾
Actuating time ¹⁾	s/mm	12 · 9 · 4* · 1,9	12 · 9 · 4* · 1,9
Actuating thrust	kN	1,0	1,0
Stroke	mm	max. 20	max. 20
Power supply	VAC	24 ±10%	230 +6% -10%
Power supply ²⁾	VDC	24 ±10%	-
Frequency	Hz	50/60 ±5%	50/60 ±5%
Power consumption	VA	6	12
Input signal ³⁾		3-point 0(2)-10 VDC, 77 kΩ 0(4)-20 mA, 0,51 kΩ	3-point 0(2)-10 VDC, 77 kΩ 0(4)-20 mA, 0,51 kΩ
Output signal ³⁾		0-10 VDC max. 8 mA min. 1200 Ω	0-10 VDC max. 8 mA min. 1200 Ω
Hysteresis ⁴⁾	V	0,15 · 0,5	0,15 · 0,5

1) Actuating time freely adjustable, presetting is marked with *

2) Direct-current - rectified alternating voltage

3) Invertible input and output signal

4) Freely adjustable

5) Actuator suitable for medium temperature up to 150 °C

Ingress protection:

IP54

Resolution:

Electric: 0,04 VDC

Mechanical: 0,095 mm

Ambient temperature:

0 - +60°C

Operation mode:

S3 - 50% ED c/h 1200, EN 60034-1

End position switch-off:

Load-dependent

Actuator variants:

- Voltage: 115 VAC

- Position switch unit ¹⁾:

2 switches (WE1/WE2), potential free, infinitely adjustable.

Rated load: 8 A / 250 VAC, 8 A / 30 VDC.

Turn-on voltage: max. 400 VAC, max. 125 VDC.

- Enclosure protection: IP 65

- Output signal ¹⁾: X=0(4)...20 mA

1) Position switch unit and output signal 0(4)...20 mA not in combination.

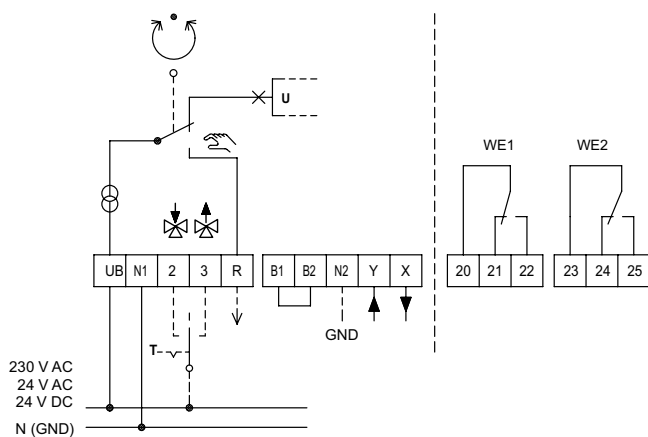
See “Actuators” and “Accessories for actuators”.

Wiring diagram:

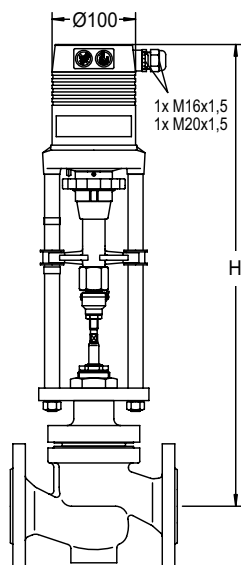
B1/B2 Connection of a binary signal (e.g. frost safety)

Standard design

Special accessories



TA-MC163



TA-MC163/24, TA-MC163/230

CV2xx/3xx + TA-MC163/24

DN	CV2xx + TA-MC163/24 H	CV3xx + TA-MC163/24 H	Kg*
15-20	552	512	4,0
25	552	517	4,0
32-40	567	527	4,0
50	577	537	4,0
65	587	552	4,0

CV2xx/3xx + TA-MC163/230

DN	CV2xx + TA-MC163/230 H	CV3xx + TA-MC163/230 H	Kg*
15-20	577	537	4,0
25	577	542	4,0
32-40	592	552	4,0
50	602	562	4,0
65	612	577	4,0

*) Actuator

Technical description

		TA-MC163/24	TA-MC163/230
Actuating time ¹⁾	s/mm	6 · 4*	6 · 4*
Actuating thrust	kN	1,6	1,6
Stroke	mm	max. 30	max. 30
Power supply	VAC	24 ±10%	230 +6% -10%
Power supply ²⁾	VDC	24 ±10%	-
Frequency	Hz	50/60 ±5%	50/60 ±5%
Power consumption	VA	6	12
Input signal ³⁾		3-point 0(2)-10 VDC, 77 kΩ 0(4)-20 mA, 0,51 kΩ	3-point 0(2)-10 VDC, 77 kΩ 0(4)-20 mA, 0,51 kΩ
Output signal ³⁾		0-10 VDC max. 8 mA min. 1200 Ω	0-10 VDC max. 8 mA min. 1200 Ω
Hysteresis ⁴⁾	V	0,05 · 0,15 · 0,3 · 0,5	0,05 · 0,15 · 0,3 · 0,5

1) Actuating time freely adjustable, presetting is marked with *

2) Direct-current - rectified alternating voltage

3) Invertible input and output signal

4) Freely adjustable

Ingress protection:

IP54

Resolution:

Electric: 0,04 VDC

Mechanical: 0,05 mm

Ambient temperature:

0 - +60°C

Operation mode:

S3 - 50% ED c/h 1200, EN 60034-1

End position switch-off:

Load-dependent

Actuator variants:

- Voltage: 115 VAC
- Position switch unit ¹⁾:
 - 2 switches (WE1/WE2), potential free, infinitely adjustable.
 - Rated load: 8 A / 250 VAC, 8 A / 30 VDC.
 - Turn-on voltage: max. 400 VAC, max. 125 VDC.
- Enclosure protection: IP 65
- Output signal ¹⁾: X=0(4)...20 mA

1) Position switch unit and output signal 0(4)...20 mA not in combination.

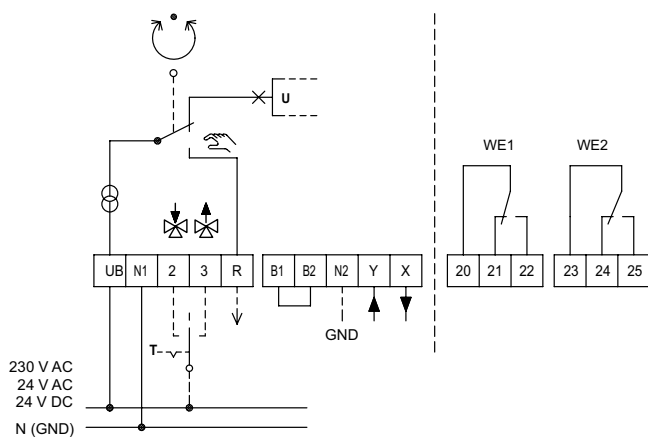
See “Actuators” and “Accessories for actuators”.

Wiring diagram:

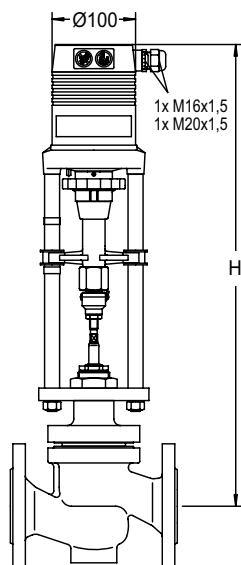
B1/B2 Connection of a binary signal (e.g. frost safety)

Standard design

Special accessories



TA-MC223



TA-MC223/24, TA-MC223/230

CV2xx/3xx + TA-MC223/24

DN	CV2xx + TA-MC223/24 H	CV3xx + TA-MC223/24 H	Kg*
15	552	512	4,0
20	537	512	4,0
25	537	517	4,0
32-40	567	527	4,0
50	577	537	4,0
65	587	552	4,0

CV2xx/3xx + TA-MC223/24

DN	CV2xx + TA-MC223/230 H	CV3xx + TA-MC223/230 H	Kg*
15-20	577	537	4,0
25	577	542	4,0
32-40	592	552	4,0
50	602	562	4,0
65	612	577	4,0

*) Actuator

Technical description

		TA-MC223/24	TA-MC223/230
Actuating time	s/mm	3	3
Actuating thrust	kN	2,2	2,2
Stroke	mm	max. 30	
Power supply	VAC	24 ±10%	230 +6% -10%
Power supply ²⁾	VDC	24 ±10%	-
Frequency	Hz	50/60 ±5%	50/60 ±5%
Power consumption	VA	max. 6	max. 12
Input signal ³⁾		3-point 0(2)-10 VDC, 77 kΩ 0(4)-20 mA, 0,51 kΩ	3-point 0(2)-10 VDC, 77 kΩ 0(4)-20 mA, 0,51 kΩ
Output signal ³⁾		0-10 VDC max. 8 mA min. 1200 Ω	0-10 VDC max. 8 mA min. 1200 Ω
Hysteresis ⁴⁾	V	0,05 · 0,15 · 0,3 · 0,5	0,05 · 0,15 · 0,3 · 0,5

2) Direct-current - rectified alternating voltage

3) Invertible input and output signal

4) Freely adjustable

Ingress protection:

IP54

Resolution:

Electric: 0,04 VDC

Mechanical: 0,05 mm

Ambient temperature:

-10 - +60°C

Operation mode:

S3 - 50% ED c/h 1200, EN 60034-1

End position switch-off:

Load-dependent

Actuator variants:

- Voltage: 115 VAC

- Position switch unit ¹⁾:

2 switches (WE1/WE2), potential free, infinitely adjustable.

Rated load: 8 A / 250 VAC, 8 A / 30 VDC.

Turn-on voltage: max. 400 VAC, max. 125 VDC.

- Enclosure protection: IP 65

- Output signal ¹⁾: X=0(4)...20 mA

1) Position switch unit and output signal 0(4)...20 mA not in combination.

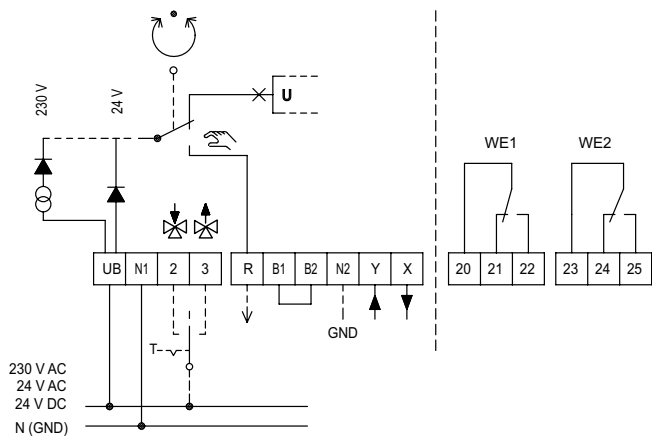
See “Actuators” and “Accessories for actuators”.

Wiring diagram:

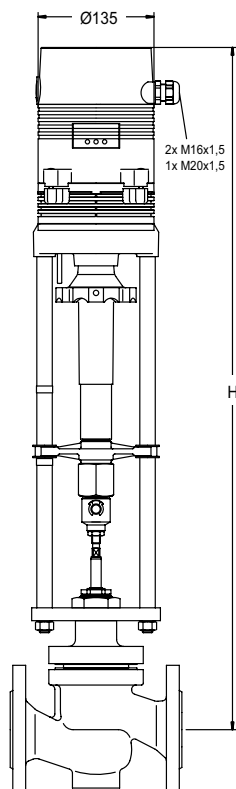
B1/B2 Connection of a binary signal (e.g. frost safety)

Standard design

Special accessories



TA-MC403



TA-MC403/24, TA-MC403/230

CV2xx/3xx + TA-MC403

DN	CV2xx + TA-MC403 H	CV3xx + TA-MC403 H	Kg*
15-20	775	735	9,5
25	775	740	9,5
32-40	790	750	9,5
50	800	760	9,5
65	810	775	9,5
80	905	885	9,5
100	950	915	9,5
125	975	920	9,5
150	1000	940	9,5

*) Actuator

Technical description

		TA-MC403/24	TA-MC403/230
Actuating time ¹⁾	s/mm	0,6 · 0,4*	0,6 · 0,4*
Actuating thrust	kN	4,0	4,0
Stroke	mm	max. 60	max. 60
Power supply	VAC	24 ±10%	230 +6% -10%
Frequency	Hz	50/60 ±5%	50/60 ±5%
Power consumption	VA	max. 50	max. 63
Input signal ³⁾		3-point 0(2)-10 VDC, 77 kΩ 0(4)-20 mA, 0,51 kΩ	3-point 0(2)-10 VDC, 77 kΩ 0(4)-20 mA, 0,51 kΩ
Output signal ³⁾		0-10 VDC max. 8 mA min. 1200 Ω	0-10 VDC max. 8 mA min. 1200 Ω
Hysteresis ⁴⁾	V	0,05 · 0,15 · 0,3 · 0,5	0,05 · 0,15 · 0,3 · 0,5

1) Actuating time freely adjustable, presetting is marked with *

3) Invertible input and output signal

4) Freely adjustable

Ingress protection:

IP54

Resolution:

Electric: 0,04 VDC

Mechanical: 0,12 mm

Ambient temperature:

-10 - +60°C

Operation mode:

S3 - 30% ED c/h 1200, EN 60034-1

End position switch-off:

Load-dependent

Actuator variants:

- Voltage: 115 VAC

- Position switch unit:

2 switches (WE1/WE2), potential free, infinitely adjustable

Rated load: 8 A / 250 VAC, 8 A / 30 VDC.

Turn-on voltage: max. 400 VAC, max. 125 VDC.

- Enclosure protection: IP 65

- Output signal: X=0(4)...20 mA

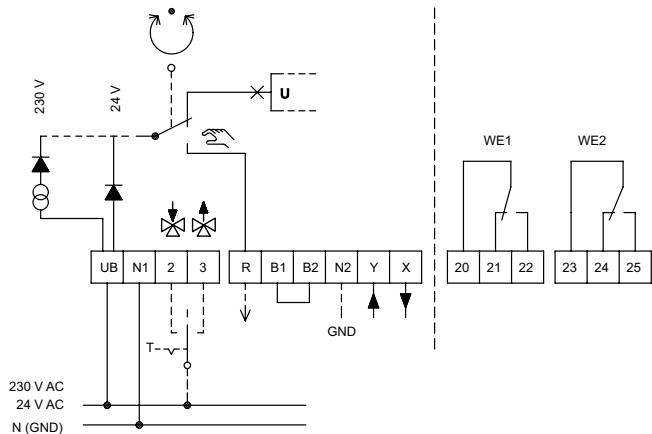
See “Actuators” and “Accessories for actuators”.

Wiring diagram:

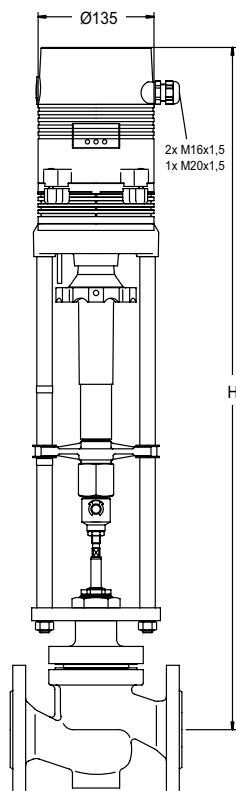
B1/B2 Connection of a binary signal (e.g. frost safety)

Standard design

Special accessories



TA-MC503



TA-MC503/24, TA-MC503/230

CV2xx/3xx + TA-MC503

DN	CV2xx + TA-MC503 H	CV3xx + TA-MC503 H	TA-MC503/24 Kg*	TA-MC503/230 Kg*
15-20	725	685	7,4	8,6
25	725	690	7,4	8,6
32-40	740	700	7,4	8,6
50	750	710	7,4	8,6
65	760	725	7,4	8,6
80	860	840	7,4	8,6
100	905	870	7,4	8,6
125	930	875	7,4	8,6
150	955	895	7,4	8,6

*) Actuator

Technical description

		TA-MC503/24	TA-MC503/230
Actuating time ¹⁾	s/mm	5 · 2,5*	5 · 2,5*
Actuating thrust	kN	5,0	5,0
Stroke	mm	max. 60	max. 60
Power supply	VAC	24 ±10%	230 +6% -10%
Power supply ²⁾	VDC	24 ±10%	-
Frequency	Hz	50/60 ±5%	50/60 ±5%
Power consumption	VA	max. 18	max. 25
Input signal ³⁾		3-point 0(2)-10 VDC, 77 kΩ 0(4)-20 mA, 0,51 kΩ	3-point 0(2)-10 VDC, 77 kΩ 0(4)-20 mA, 0,51 kΩ
Output signal ³⁾		0-10 VDC max. 8 mA min. 1200 Ω	0-10 VDC max. 8 mA min. 1200 Ω
Hysteresis ⁴⁾	V	0,05 · 0,15 · 0,3 · 0,5	0,05 · 0,15 · 0,3 · 0,5

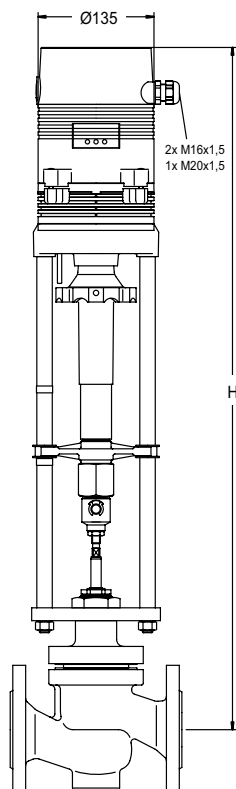
1) Actuating time freely adjustable, presetting is marked with *

2) Direct-current - rectified alternating voltage

3) Invertible input and output signal

4) Freely adjustable

TA-MC1003, TA-MC1503



TA-MC1003/24, TA-MC1003/230, TA-MC1503/24, TA-MC1503/230

CV2xx/3xx + TA-MC1003

DN	CV2xx + TA-MC1003 H	CV3xx + TA-MC1003 H	TA-MC1003/24 Kg*	TA-MC1003/230 Kg*
65	935	900	11,0	11,5
80	950	930	11,0	11,5
100	995	960	11,0	11,5
125	1020	965	11,0	11,5
150	1045	985	11,0	11,5
200	1150	1100	11,0	11,5
250	1210	1155	11,0	11,5

CV2xx/3xx + TA-MC1503

DN	CV2xx + TA-MC1503 H	CV3xx + TA-MC1503 H	TA-MC1503/24 Kg*	TA-MC1503/230 Kg*
125	1020	965	11,0	11,5
150	1045	985	11,0	11,5
200	1150	1100	11,0	11,5
250	1210	1155	11,0	11,5
300	1270	1210	11,0	11,5

*) Actuator

Technical description

		TA-MC1003/24	TA-MC1503/24	TA-MC1003/230	TA-MC1503/230
Actuating time	s/mm	1	2	1	2
Actuating thrust	kN	10	15	10	15
Stroke	mm	max. 80			
Power supply	VAC	24 ±10%	24 ±10%	230 +6% -10%	230 +6% -10%
Frequency	Hz	50/60 ±5%			
Power consumption	VA	max. 50	max. 50	max. 63	max. 63
Input signal ³⁾		3-point 0(2)-10 VDC, 77 kΩ 0(4)-20 mA, 0,51 kΩ			
Output signal ³⁾		0-10 VDC max. 8 mA min. 1200 Ω			
Hysteresis ⁴⁾	V	0,05 · 0,15 · 0,3 · 0,5			

3) Invertible input and output signal

4) Freely adjustable

Ingress protection:

IP54

Resolution:

Electric: 0,04 VDC

Mechanical: 0,05 mm

Ambient temperature:

TA-MC1003: -10 - +60°C

TA-MC1503: -10 - +50°C

Operation mode:

S3 - 30% ED c/h 1200, EN 60034-1

End position switch-off:

Load-dependent

Actuator variants:

- Voltage: 115 VAC

- Position switch unit:

2 switches (WE1/WE2), potential free, infinitely adjustable

Rated load: 8 A / 250 VAC, 8 A / 30 VDC.

Turn-on voltage: max. 400 VAC, max. 125 VDC.

- Enclosure protection: IP 65

- Output signal: X=0(4)...20 mA

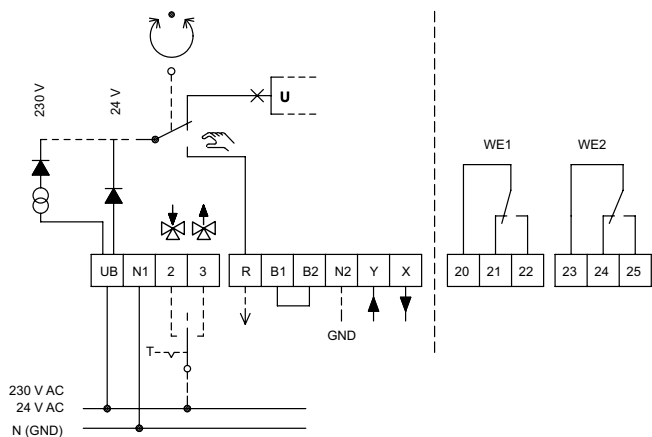
See “Actuators” and “Accessories for actuators”.

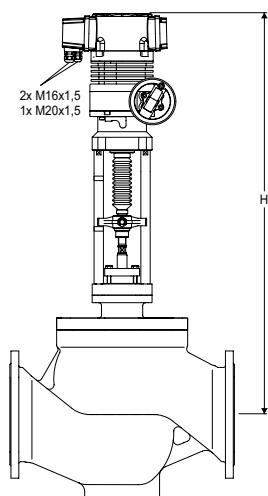
Wiring diagram:

B1/B2 Connection of a binary signal (e.g. frost safety)

Standard design

Special accessories



TA-MH2503

TA-MH2503/230
CV2xx/3xx + TA-MH2503

DN	CV2xx + TA-MH2503 H	CV3xx + TA-MH2503 H	Kg*
125	924	924	24
150	949	944	24
200	1064	1119	24
250	1269	1204	24
300	1329	1249	24

*) Actuator

Technical description

		TA-MH2503/230
Actuating time	s/mm	0,5
Actuating thrust	kN	25
Stroke	mm	max. 100
Power supply	VAC	230 +6/-10%
Frequency	Hz	50/60 ±5%
Power consumption	VA	max. 500 Power rating 250 VA. Standby power consumption <10 VA.
Input signal ³⁾		3-point 0(2)-10 VDC, 77 kΩ 0(4)-20 mA, 0,51 kΩ
Output signal ³⁾		0-10 VDC max. 8 mA min. 1200 Ω
Hysteresis ⁴⁾	V	0,05 · 0,15 · 0,3 · 0,5

Actuators with higher actuating thrust upon the request. Please contact IMI Hydronic Engineering.

3) Invertible input and output signal

4) Freely adjustable

Ingress protection:

IP65

Resolution:

Electric: 10 mV

Mechanical: 0,15 mm

Ambient temperature:

-10 - +60°C

Operation mode:

S3 - 50% ED c/h 1200, EN 60034-1

End position switch-off:

Load-dependent

Actuator variants:

- Position switch unit:
 2 switches (WE1/WE2), potential free, infinitely adjustable.
 Rated load: 8 A / 250 VAC, 8 A / 30 VDC.
 Turn-on voltage: max. 400 VAC, max. 125 VDC.
- Output signal: X=0(4)...20 mA.

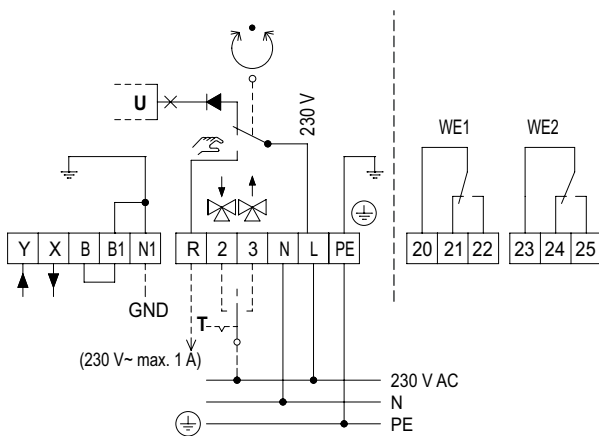
See "Actuators" and "Accessories for actuators".

Wiring diagram:

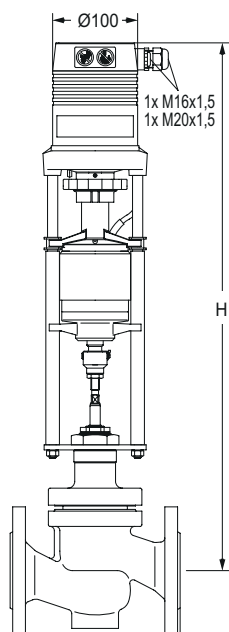
B1/B2 Connection of a binary signal (e.g. frost safety)

Standard design

Special accessories



TA-MC103SE

**TA-MC103SE/24, TA-MC103SE/230**

For 2-way valves only

CV2xx + TA-MC103SE/24

DN	CV2xx + TA-MC103SE/24	CV2xx + TA-MC103SE/230	Kg*
	H	H	
15-25	603	628	5,0
32-40	618	643	5,0

*) Actuator

Technical description

		TA-MC103SE/24	TA-MC103SE/230
Actuating time ¹⁾	s/mm	6 · 4*	6 · 4*
Fail-safe time	s/mm	~0,1	~0,1
Actuating thrust	kN	1,0	1,0
Stroke	mm	max. 20	max. 20
Power supply	VAC	24 ±10%	230 +6% -10%
Frequency	Hz	50/60 ±5%	50/60 ±5%
Power consumption	VA	max. 25	max. 20
Input signal ³⁾		3-point 0(2)-10 VDC, 77 kΩ 0(4)-20 mA, 0,51 kΩ	3-point 0(2)-10 VDC, 77 kΩ 0(4)-20 mA, 0,51 kΩ
Output signal ³⁾		0-10 VDC max. 8 mA min. 1200 Ω	0-10 VDC max. 8 mA min. 1200 Ω
Hysteresis ⁴⁾	V	0,05 · 0,15 · 0,3 · 0,5	0,05 · 0,15 · 0,3 · 0,5

1) Actuating time freely adjustable, presetting is marked with *

3) Invertible input and output signal

4) Freely adjustable

Ingress protection:

IP54

Fail-safe function:

Stem extended on power failure

Resolution:

Electric: 0,04 VDC

Mechanical: 0,04 mm

Ambient temperature:

0 - +60°C

Operation mode:

S3 - 50% ED c/h 1200: EN 60034-1

End position switch-off:

Load-dependent

Actuator variants:

- Voltage: 115 VAC

- Position switch unit ¹⁾:

2 switches (WE1/WE2), potential free, infinitely adjustable.

Rated load: 8 A / 250 VAC, 8 A / 30 VDC.

Turn-on voltage: max. 400 VAC, max. 125 VDC.

- Output signal ¹⁾: X=0(4)...20 mA

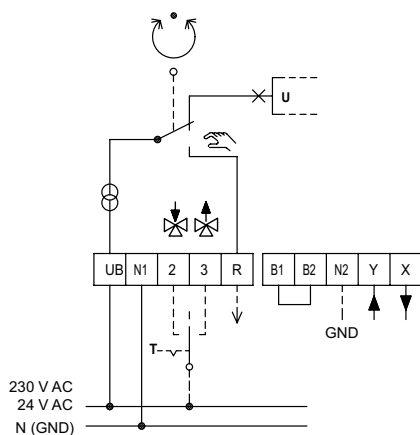
1) Position switch unit and output signal 0(4)...20 mA not in combination.

See "Actuators" and "Accessories for actuators".

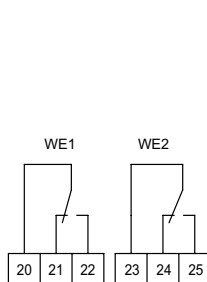
Wiring diagram:

B1/B2 Connection of a binary signal (e.g. frost safety)

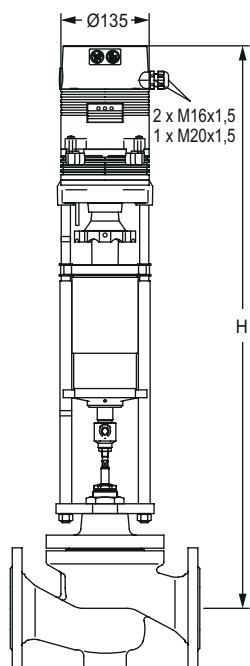
Standard design



Special accessories



TA-MC253SE

**TA-MC253SE/24, TA-MC253SE/230**

For 2-way valves only

CV2xx + TA-MC103SE/24

DN	CV2xx + TA-MC253SE/24/230 H	Kg*
15-25	854	13
32-40	869	13
50	895	13
65	905	13

*) Actuator

Technical description

		TA-MC253SE/24	TA-MC253SE/230
Actuating time ¹⁾	s/mm	5 · 2,5*	5 · 2,5*
Fail-safe time	s/mm	~0,1	~0,1
Actuating thrust	kN	2,5	2,5
Stroke	mm	max. 40	max. 40
Power supply	VAC	24 ±10%	230 +6% -10%
Frequency	Hz	50/60 ±5%	50/60 ±5%
Power consumption	VA	max. 50	max. 80
Input signal ³⁾		3-point 0(2)-10 VDC, 77 kΩ 0(4)-20 mA, 0,51 kΩ	3-point 0(2)-10 VDC, 77 kΩ 0(4)-20 mA, 0,51 kΩ
Output signal ³⁾		0-10 VDC max. 8 mA min. 1200 Ω	0-10 VDC max. 8 mA min. 1200 Ω
Hysteresis ⁴⁾	V	0,05 · 0,15 · 0,3 · 0,5	0,05 · 0,15 · 0,3 · 0,5

1) Actuating time freely adjustable, presetting is marked with *

3) Invertible input and output signal

4) Freely adjustable

Ingress protection:

IP54

Fail-safe function:

Stem extended on power failure

Resolution:

Electric: 0,04 VDC

Mechanical: 0,04 mm

Ambient temperature:

0 - +60°C

Operation mode:

S3 - 50% ED c/h 1200: EN 60034-1

End position switch-off:

Load-dependent

Actuator variants:

- Voltage: 115 VAC

- Position switch unit:

2 switches (WE1/WE2), potential free, infinitely adjustable.

Rated load: 8 A / 250 VAC, 8 A / 30 VDC.

Turn-on voltage: max. 400 VAC, max. 125 VDC.

- Output signal: X=0(4)...20 mA

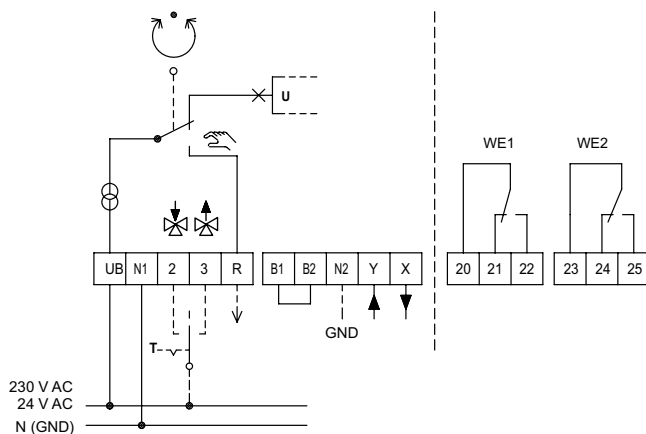
See "Actuators" and "Accessories for actuators".

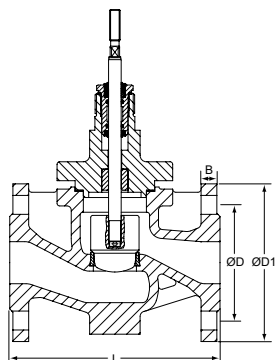
Wiring diagram:

B1/B2 Connection of a binary signal (e.g. frost safety)

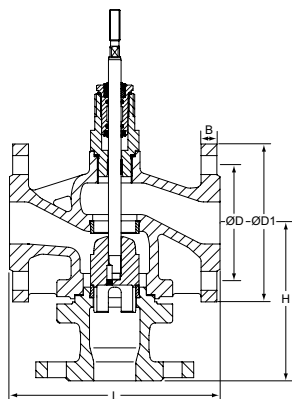
Standard design

Special accessories



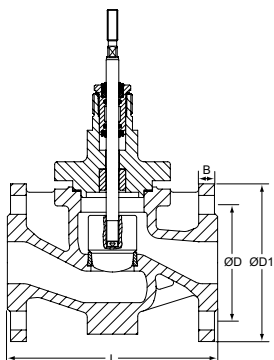
CV216 (2-way)**PN 16**

DN	D	D1	No of bolts	L	B	Kvs	Kg	EAN	Article No
125	210	250	8 x Ø18	400	24	125	61	5902276886324	60 236-191
125	210	250	8 x Ø18	400	24	160	61	5902276886379	60 236-291
125	210	250	8 x Ø18	400	24	200	61	5902276886423	60 236-391
125	210	250	8 x Ø18	400	24	250	61	5902276886478	60 236-491
150	240	285	8 x Ø22	480	24	200	93	5902276886331	60 236-192
150	240	285	8 x Ø22	480	24	250	93	5902276886386	60 236-292
150	240	285	8 x Ø22	480	24	315	93	5902276886430	60 236-392
150	240	285	8 x Ø22	480	24	400	93	5902276886485	60 236-492
200	295	340	12 x Ø22	600	30	315	230	5902276886348	60 236-193
200	295	340	12 x Ø22	600	30	400	230	5902276886393	60 236-293
200	295	340	12 x Ø22	600	30	500	230	5902276886447	60 236-393
200	295	340	12 x Ø22	600	30	630	230	5902276886492	60 236-493
250	355	405	12 x Ø26	730	32	500	290	5902276886409	60 236-294
250	355	405	12 x Ø26	730	32	630	290	5902276886454	60 236-394
250	355	405	12 x Ø26	730	32	800	290	5902276886508	60 236-494
250	355	405	12 x Ø26	730	32	1000	290	5902276886522	60 236-994
300	410	460	12 x Ø26	850	32	630	380	5902276886362	60 236-195
300	410	460	12 x Ø26	850	32	800	380	5902276886416	60 236-295
300	410	460	12 x Ø26	850	32	1000	380	5902276886461	60 236-395
300	410	460	12 x Ø26	850	32	1250	380	5902276886515	60 236-495
300	410	460	12 x Ø26	850	32	1600	380	5902276809866	60 236-595

CV316 (3-way)**PN 16**

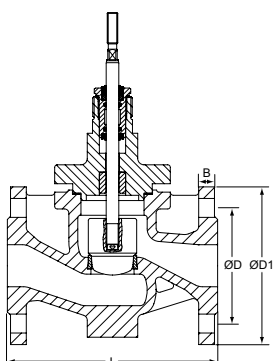
DN	D	D1	No of bolts	L	H	B	Kvs	Kg	EAN	Article No
125	210	250	8 x Ø18	400	260	24	125	61	5902276890604	60 336-191
125	210	250	8 x Ø18	400	260	24	160	61	5902276890703	60 336-291
125	210	250	8 x Ø18	400	260	24	200	61	5902276890826	60 336-391
125	210	250	8 x Ø18	400	260	24	250	61	5902276890932	60 336-491
150	240	285	8 x Ø22	480	280	24	200	93	5902276890611	60 336-192
150	240	285	8 x Ø22	480	280	24	250	93	5902276890710	60 336-292
150	240	285	8 x Ø22	480	280	24	315	93	5902276890833	60 336-392
150	240	285	8 x Ø22	480	280	24	400	93	5902276890949	60 336-492
200	295	340	12 x Ø22	600	400	30	315	230	5902276890628	60 336-193
200	295	340	12 x Ø22	600	400	30	400	230	5902276890727	60 336-293
200	295	340	12 x Ø22	600	400	30	500	230	5902276890840	60 336-393
200	295	340	12 x Ø22	600	400	30	630	230	5902276890956	60 336-493
250	355	405	12 x Ø26	730	450	32	500	290	5902276890734	60 336-294
250	355	405	12 x Ø26	730	450	32	630	290	5902276891397	60 336-394
250	355	405	12 x Ø26	730	450	32	800	290	5902276890963	60 336-494
250	355	405	12 x Ø26	730	450	32	1000	290	5902276891007	60 336-994
300	410	460	12 x Ø26	850	550	32	630	380	5902276890642	60 336-195
300	410	460	12 x Ø26	850	550	32	800	380	5902276890741	60 336-295
300	410	460	12 x Ø26	850	550	32	1000	380	5902276890857	60 336-395
300	410	460	12 x Ø26	850	550	32	1250	380	5902276890970	60 336-495
300	410	460	12 x Ø26	850	550	32	1600	380	5902276809859	60 336-595

CV225 (2-way)



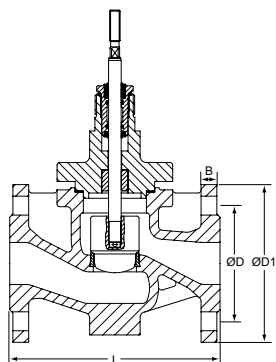
PN 16-40

DN	D	D1	No of bolts	L	B	Kvs	Kg	EAN	Article No
15	65	95	4 x Ø14	130	16	0,16	4	5901688824283	60 246-115
15	65	95	4 x Ø14	130	16	0,25	4	5901688824399	60 246-215
15	65	95	4 x Ø14	130	16	0,4	4	5901688824528	60 246-315
15	65	95	4 x Ø14	130	16	0,63	4	5901688824641	60 246-415
15	65	95	4 x Ø14	130	16	1	4	5901688824771	60 246-515
15	65	95	4 x Ø14	130	16	1,25	4	5901688824801	60 246-615
15	65	95	4 x Ø14	130	16	1,6	4	5901688824832	60 246-715
15	65	95	4 x Ø14	130	16	2,5	4	5901688824863	60 246-815
15	65	95	4 x Ø14	130	16	4	4	5901688824900	60 246-915
20	75	105	4 x Ø14	150	16	2,5	6	5901688824290	60 246-120
20	75	105	4 x Ø14	150	16	4	6	5901688824405	60 246-220
20	75	105	4 x Ø14	150	16	5	6	5901688824535	60 246-320
20	75	105	4 x Ø14	150	16	6,3	6	5901688824658	60 246-420
25	85	115	4 x Ø14	160	18	5	7	5901688824306	60 246-125
25	85	115	4 x Ø14	160	18	6,3	7	5902276819643	60 246-225
25	85	115	4 x Ø14	160	18	8	7	5902276819650	60 246-325
25	85	115	4 x Ø14	160	18	10	7	5901688824665	60 246-425
32	100	140	4 x Ø18	180	18	8	8	5901688824313	60 246-132
32	100	140	4 x Ø18	180	18	10	8	5901688824412	60 246-232
32	100	140	4 x Ø18	180	18	12,5	8	5901688824542	60 246-332
32	100	140	4 x Ø18	180	18	16	8	5901688824672	60 246-432
40	110	150	4 x Ø18	200	18	12,5	11	5901688824320	60 246-140
40	110	150	4 x Ø18	200	18	16	11	5901688824436	60 246-240
40	110	150	4 x Ø18	200	18	20	11	5901688824559	60 246-340
40	110	150	4 x Ø18	200	18	25	11	5901688824689	60 246-440
50	125	165	4 x Ø18	230	20	20	13	5902276894558	60 246-150
50	125	165	4 x Ø18	230	20	25	13	5901688824443	60 246-250
50	125	165	4 x Ø18	230	20	31,5	13	5901688824566	60 246-350
50	125	165	4 x Ø18	230	20	40	13	5901688824696	60 246-450
80	160	200	8 x Ø18	310	20	50	30	5901688824344	60 246-180
80	160	200	8 x Ø18	310	20	63	30	5901688824467	60 246-280
80	160	200	8 x Ø18	310	20	80	30	5901688824580	60 246-380
80	160	200	8 x Ø18	310	20	100	30	5901688824719	60 246-480

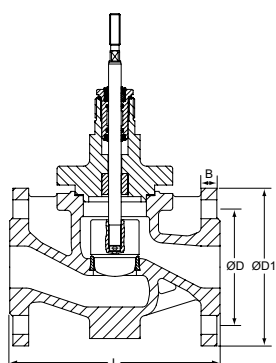


PN 16

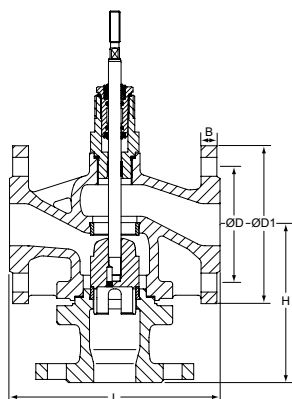
DN	D	D1	No of bolts	L	B	Kvs	Kg	EAN	Article No
65	145	185	4 x Ø18	290	20	31,5	17	5901688824788	60 246-565
65	145	185	4 x Ø18	290	20	40	17	5901688824818	60 246-665
65	145	185	4 x Ø18	290	20	50	17	5901688824849	60 246-765
65	145	185	4 x Ø18	290	20	63	17	5901688824870	60 246-865
100	180	220	8 x Ø18	350	22	80	42	5901688824795	60 246-590
100	180	220	8 x Ø18	350	22	100	42	5901688824825	60 246-690
100	180	220	8 x Ø18	350	22	125	42	5901688824856	60 246-790
100	180	220	8 x Ø18	350	22	160	42	5901688824887	60 246-890
125	210	250	8 x Ø18	400	24	250	61	5901688824894	60 246-891
150	240	285	8 x Ø22	480	24	315	93		60 246-792
150	240	285	8 x Ø22	480	24	400	93		60 246-892
200	295	340	12 x Ø22	600	30	315	230	5901688824375	60 246-193
200	295	340	12 x Ø22	600	30	400	230	5901688824504	60 246-293
200	295	340	12 x Ø22	600	30	500	230	5901688824627	60 246-393
200	295	340	12 x Ø22	600	30	630	230	5901688824757	60 246-493


PN 25-40

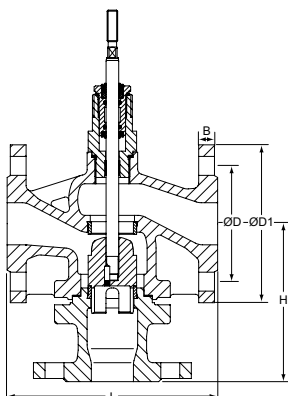
DN	D	D1	No of bolts	L	B	Kvs	Kg	EAN	Article No
65	145	185	8 x Ø18	290	20	31,5	17	5901688824337	60 246-165
65	145	185	8 x Ø18	290	20	40	17	5901688824450	60 246-265
65	145	185	8 x Ø18	290	20	50	17	5901688824573	60 246-365
65	145	185	8 x Ø18	290	20	63	17	5901688824702	60 246-465
100	190	235	8 x Ø22	350	22	80	42	5901688824351	60 246-190
100	190	235	8 x Ø22	350	22	100	42	5901688824474	60 246-290
100	190	235	8 x Ø22	350	22	125	42	5901688824597	60 246-390
100	190	235	8 x Ø22	350	22	160	42	5901688824726	60 246-490
125	220	270	8 x Ø26	400	24	125	61	5901688824368	60 246-191
125	220	270	8 x Ø26	400	24	160	61	5901688824481	60 246-291
125	220	270	8 x Ø26	400	24	200	61	5901688824603	60 246-391
125	220	270	8 x Ø26	400	24	250	61	5901688824733	60 246-491


PN 25

DN	D	D1	No of bolts	L	B	Kvs	Kg	EAN	Article No
150	250	300	8 x Ø26	480	24	200	93	5902276895104	60 246-192
150	250	300	8 x Ø26	480	24	250	93	5901688824498	60 246-292
150	250	300	8 x Ø26	480	24	315	93	5901688824610	60 246-392
150	250	300	8 x Ø26	480	24	400	93	5901688824740	60 246-492

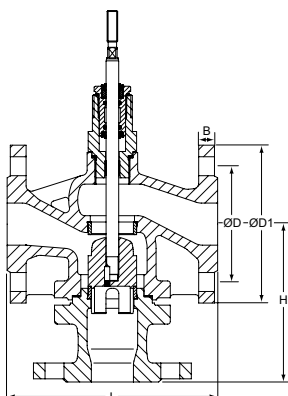
CV325 (3-way)

PN 16-40

DN	D	D1	No of bolts	L	H	B	Kvs	Kg	EAN	Article No
15	65	95	4 x Ø14	130	130	16	2,5	5	5902276891403	60 346-115
15	65	95	4 x Ø14	130	130	16	4	5	5902276891533	60 346-215
20	75	105	4 x Ø14	150	130	16	2,5	6	5902276891410	60 346-120
20	75	105	4 x Ø14	150	130	16	4	6	5902276891540	60 346-220
20	75	105	4 x Ø14	150	130	16	5	6	5902276891656	60 346-320
20	75	105	4 x Ø14	150	130	16	6,3	6	5902276891786	60 346-420
25	85	115	4 x Ø14	160	130	18	5	8	5902276891427	60 346-125
25	85	115	4 x Ø14	160	130	18	6,3	8	59022768905738	60 346-225
25	85	115	4 x Ø14	160	130	18	8	8		60 346-325
25	85	115	4 x Ø14	160	130	18	10	8	5902276891793	60 346-425
32	100	140	4 x Ø18	180	150	18	8	10	5902276891434	60 346-132
32	100	140	4 x Ø18	180	150	18	10	10	5902276891557	60 346-232
32	100	140	4 x Ø18	180	150	18	12,5	10	5902276891663	60 346-332
32	100	140	4 x Ø18	180	150	18	16	10	5902276891809	60 346-432
40	110	150	4 x Ø18	200	150	18	12,5	12	5902276891441	60 346-140
40	110	150	4 x Ø18	200	150	18	16	12	5902276891564	60 346-240
40	110	150	4 x Ø18	200	150	18	20	12	5902276891694	60 346-340
40	110	150	4 x Ø18	200	150	18	25	12	5902276891816	60 346-440
50	125	165	4 x Ø18	230	160	20	20	16	5902276891458	60 346-150
50	125	165	4 x Ø18	230	160	20	25	16	5902276891571	60 346-250
50	125	165	4 x Ø18	230	160	20	31,5	16	5902276891700	60 346-350
50	125	165	4 x Ø18	230	160	20	40	16	5902276891823	60 346-450
80	160	200	8 x Ø18	310	215	20	50	30	5902276891472	60 346-180
80	160	200	8 x Ø18	310	215	20	63	30	5902276891595	60 346-280
80	160	200	8 x Ø18	310	215	20	80	30	5902276891724	60 346-380
80	160	200	8 x Ø18	310	215	20	100	30	5902276891847	60 346-480



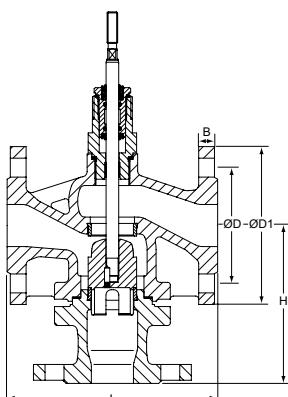
PN 16

DN	D	D1	No of bolts	L	H	B	Kvs	Kg	EAN	Article No
65	145	185	4 x Ø18	290	170	20	31,5	20	5902276891908	60 346-565
65	145	185	4 x Ø18	290	170	20	40	17	5902276891922	60 346-665
65	145	185	4 x Ø18	290	170	20	50	17	5902276891946	60 346-765
65	145	185	4 x Ø18	290	170	20	63	17	5902276891977	60 346-865
100	180	220	8 x Ø18	350	215	22	80	42	5902276891915	60 346-590
100	180	220	8 x Ø18	350	215	22	100	42	5902276891939	60 346-690
100	180	220	8 x Ø18	350	215	22	125	42	5902276891953	60 346-790
100	180	220	8 x Ø18	350	215	22	160	42	5902276891984	60 346-890
125	210	250	8 x Ø18	400	260	24	200	61	5902276891960	60 346-791
150	240	285	8 x Ø22	480	280	24	400	93	5902276891991	60 346-892
200	295	340	12 x Ø22	600	400	30	315	230	5902276891519	60 346-193
200	295	340	12 x Ø22	600	400	30	400	230	5902276891632	60 346-293
200	295	340	12 x Ø22	600	400	30	500	230	5902276891762	60 346-393
200	295	340	12 x Ø22	600	400	30	630	230	5902276891885	60 346-493



PN 25-40

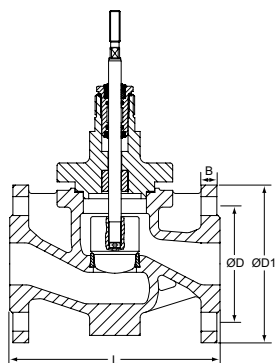
DN	D	D1	No of bolts	L	H	B	Kvs	Kg	EAN	Article No
65	145	185	8 x Ø18	290	170	20	31,5	20	5902276891465	60 346-165
65	145	185	8 x Ø18	290	170	20	40	20	5902276891588	60 346-265
65	145	185	8 x Ø18	290	170	20	50	20	5902276891717	60 346-365
65	145	185	8 x Ø18	290	170	20	63	20	5902276891830	60 346-465
100	190	235	8 x Ø22	350	215	22	80	42	5902276891489	60 346-190
100	190	235	8 x Ø22	350	215	22	100	42	5902276891601	60 346-290
100	190	235	8 x Ø22	350	215	22	125	42	5902276891731	60 346-390
100	190	235	8 x Ø22	350	215	22	160	42	5902276891854	60 346-490
125	220	270	8 x Ø26	400	260	24	125	61	5902276891496	60 346-191
125	220	270	8 x Ø26	400	260	24	160	61	5902276891618	60 346-291
125	220	270	8 x Ø26	400	260	24	200	61	5902276891748	60 346-391
125	220	270	8 x Ø26	400	260	24	250	61	5902276891861	60 346-491



PN 25

DN	D	D1	No of bolts	L	H	B	Kvs	Kg	EAN	Article No
150	250	300	8 x Ø26	480	280	24	200	104	5902276891502	60 346-192
150	250	300	8 x Ø26	480	280	24	250	104	5902276891625	60 346-292
150	250	300	8 x Ø26	480	280	24	315	104	5902276891755	60 346-392
150	250	300	8 x Ø26	480	280	24	400	104	5902276891878	60 346-492

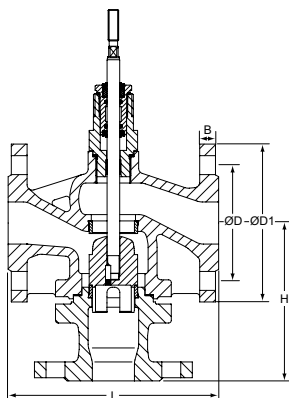
CV240S (2-way)



PN 40

DN	D	D1	No of bolts	L	B	Kvs	Kg	EAN	Article No
15	65	95	4 x Ø14	130	16	0,16	7	5901688824917	60 258-115
15	65	95	4 x Ø14	130	16	0,25	7	5901688825051	60 258-215
15	65	95	4 x Ø14	130	16	0,4	7	5901688825198	60 258-315
15	65	95	4 x Ø14	130	16	0,63	7	5901688825334	60 258-415
15	65	95	4 x Ø14	130	16	1	7	5901688825471	60 258-515
15	65	95	4 x Ø14	130	16	1,25	7	5901688825495	60 258-615
15	65	95	4 x Ø14	130	16	1,6	7	5901688825501	60 258-715
15	65	95	4 x Ø14	130	16	2,5	7	5901688825518	60 258-815
15	65	95	4 x Ø14	130	16	4	7	5901688825525	60 258-915
20	75	105	4 x Ø14	150	18	2,5	8	5901688824924	60 258-120
20	75	105	4 x Ø14	150	18	4	8	5901688825068	60 258-220
20	75	105	4 x Ø14	150	18	5	8	5901688825204	60 258-320
20	75	105	4 x Ø14	150	18	6,3	8	5901688825341	60 258-420
25	85	115	4 x Ø14	160	18	5	10	5901688824931	60 258-125
25	85	115	4 x Ø14	160	18	6,3	10	5901688825075	60 258-225
25	85	115	4 x Ø14	160	18	8	10	5901688825211	60 258-325
25	85	115	4 x Ø14	160	18	10	10	5901688825358	60 258-425
32	100	140	4 x Ø18	180	18	8	13	5901688824948	60 258-132
32	100	140	4 x Ø18	180	18	10	13	5901688825082	60 258-232
32	100	140	4 x Ø18	180	18	12,5	13	5901688825228	60 258-332
32	100	140	4 x Ø18	180	18	16	13	5901688825365	60 258-432
40	110	150	4 x Ø18	200	18	12,5	14	5901688824955	60 258-140
40	110	150	4 x Ø18	200	18	16	14	5901688825099	60 258-240
40	110	150	4 x Ø18	200	18	20	14	5901688825235	60 258-340
40	110	150	4 x Ø18	200	18	25	14	5901688825372	60 258-440
50	125	165	4 x Ø18	230	20	20	19	5901688824962	60 258-150
50	125	165	4 x Ø18	230	20	25	19	5901688825105	60 258-250
50	125	165	4 x Ø18	230	20	31,5	19	5901688825242	60 258-350
50	125	165	4 x Ø18	230	20	40	19	5901688825389	60 258-450
65	145	185	8 x Ø18	290	22	31,5	27	5901688824979	60 258-165
65	145	185	8 x Ø18	290	22	40	27	5901688825112	60 258-265
65	145	185	8 x Ø18	290	22	50	27	5901688825259	60 258-365
65	145	185	8 x Ø18	290	22	63	27	5901688825396	60 258-465
80	160	200	8 x Ø18	310	24	50	38	5901688824986	60 258-180
80	160	200	8 x Ø18	310	24	63	38	5901688825129	60 258-280
80	160	200	8 x Ø18	310	24	80	38	5901688825266	60 258-380
80	160	200	8 x Ø18	310	24	100	38	5901688825402	60 258-480
100	190	235	8 x Ø22	350	24	80	53	5901688824993	60 258-190
100	190	235	8 x Ø22	350	24	100	53	5901688825136	60 258-290
100	190	235	8 x Ø22	350	24	125	53	5901688825273	60 258-390
100	190	235	8 x Ø22	350	24	160	53	5901688825419	60 258-490
125	220	270	8 x Ø26	400	26	125	67	5901688825006	60 258-191
125	220	270	8 x Ø26	400	26	160	67	5901688825143	60 258-291
125	220	270	8 x Ø26	400	26	200	67	5901688825280	60 258-391
125	220	270	8 x Ø26	400	26	250	67	5901688825426	60 258-491
150	250	300	8 x Ø26	480	28	200	102	5901688825013	60 258-192
150	250	300	8 x Ø26	480	28	250	102	5901688825150	60 258-292
150	250	300	8 x Ø26	480	28	315	102	5901688825297	60 258-392
150	250	300	8 x Ø26	480	28	400	102	5901688825433	60 258-492
200	320	375	12 x Ø30	600	34	315	260	5901688825020	60 258-193
200	320	375	12 x Ø30	600	34	400	260	5901688825167	60 258-293
200	320	375	12 x Ø30	600	34	500	260	5901688825303	60 258-393
200	320	375	12 x Ø30	600	34	630	260	5901688825440	60 258-493
250	385	450	12 x Ø33	730	38	500	355	5901688825174	60 258-294
250	385	450	12 x Ø33	730	38	630	355	5901688825310	60 258-394
250	385	450	12 x Ø33	730	38	800	355	5901688825457	60 258-494
250	385	450	12 x Ø33	730	38	1000	355	5901688825488	60 258-994
300	450	515	16 x Ø33	850	42	630	460	5901688825044	60 258-195
300	450	515	16 x Ø33	850	42	800	460	5901688825181	60 258-295
300	450	515	16 x Ø33	850	42	1000	460	5901688825327	60 258-395
300	450	515	16 x Ø33	850	42	1250	460	5901688825464	60 258-495

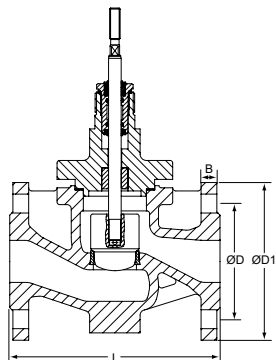
CV340S (3-way)



PN 40

DN	D	D1	No of bolts	L	H	B	Kvs	Kg	EAN	Article No
15	65	95	4 x Ø14	130	130	16	2,5	8	5902276892004	60 358-115
15	65	95	4 x Ø14	130	130	16	4	8	5902276892141	60 358-215
20	75	105	4 x Ø14	150	130	18	2,5	9	5902276892011	60 358-120
20	75	105	4 x Ø14	150	130	18	4	9	5902276892158	60 358-220
20	75	105	4 x Ø14	150	130	18	5	9	5902276892271	60 358-320
20	75	105	4 x Ø14	150	130	18	6,3	9	5902276892417	60 358-420
25	85	115	4 x Ø14	160	130	18	5	11	5902276892028	60 358-125
25	85	115	4 x Ø14	160	130	18	6,3	11		60 358-225
25	85	115	4 x Ø14	160	130	18	8	11		60 358-325
25	85	115	4 x Ø14	160	130	18	10	11	5902276892424	60 358-425
32	100	140	4 x Ø18	180	150	18	8	16	5902276892035	60 358-132
32	100	140	4 x Ø18	180	150	18	10	16	5902276892165	60 358-232
32	100	140	4 x Ø18	180	150	18	12,5	16	5902276892288	60 358-332
32	100	140	4 x Ø18	180	150	18	16	16	5902276892431	60 358-432
40	110	150	4 x Ø18	200	150	18	12,5	17	5902276892042	60 358-140
40	110	150	4 x Ø18	200	150	18	16	17	5902276892172	60 358-240
40	110	150	4 x Ø18	200	150	18	20	17	5902276892318	60 358-340
40	110	150	4 x Ø18	200	150	18	25	17	5902276892448	60 358-440
50	125	165	4 x Ø18	230	160	20	20	22	5902276892059	60 358-150
50	125	165	4 x Ø18	230	160	20	25	22	5902276892189	60 358-250
50	125	165	4 x Ø18	230	160	20	31,5	22	5902276892325	60 358-350
50	125	165	4 x Ø18	230	160	20	40	22	5902276892455	60 358-450
65	145	185	8 x Ø18	290	170	22	31,5	33	5902276892066	60 358-165
65	145	185	8 x Ø18	290	170	22	40	33	5902276892196	60 358-265
65	145	185	8 x Ø18	290	170	22	50	33	5902276892332	60 358-365
65	145	185	8 x Ø18	290	170	22	63	33	5902276892462	60 358-465
80	160	200	8 x Ø18	310	215	24	50	45	5902276892073	60 358-180
80	160	200	8 x Ø18	310	215	24	63	45	5902276892202	60 358-280
80	160	200	8 x Ø18	310	215	24	80	45	5902276892349	60 358-380
80	160	200	8 x Ø18	310	215	24	100	45	5902276892479	60 358-480
100	190	235	8 x Ø22	350	215	24	80	58	5902276892080	60 358-190
100	190	235	8 x Ø22	350	215	24	100	58	5902276892219	60 358-290
100	190	235	8 x Ø22	350	215	24	125	58	5902276892356	60 358-390
100	190	235	8 x Ø22	350	215	24	160	58	5902276892486	60 358-490
125	220	270	8 x Ø26	400	260	26	125	79	5902276892097	60 358-191
125	220	270	8 x Ø26	400	260	26	160	79	5902276892226	60 358-291
125	220	270	8 x Ø26	400	260	26	200	79	5902276892363	60 358-391
125	220	270	8 x Ø26	400	260	26	250	79	5902276892493	60 358-491
150	250	300	8 x Ø26	480	280	28	200	121	5902276892103	60 358-192
150	250	300	8 x Ø26	480	280	28	250	121	5902276892233	60 358-292
150	250	300	8 x Ø26	480	280	28	315	121	5902276892370	60 358-392
150	250	300	8 x Ø26	480	280	28	400	121	5902276892509	60 358-492
200	320	375	12 x Ø30	600	400	34	315	300	5902276892110	60 358-193
200	320	375	12 x Ø30	600	400	34	400	300	5902276892240	60 358-293
200	320	375	12 x Ø30	600	400	34	500	300	5902276892387	60 358-393
200	320	375	12 x Ø30	600	400	34	630	300	5902276892516	60 358-493
250	385	450	12 x Ø33	730	450	38	500	415	5902276892257	60 358-294
250	385	450	12 x Ø33	730	450	38	630	415	5902276892394	60 358-394
250	385	450	12 x Ø33	730	450	38	800	415	5902276892523	60 358-494
250	385	450	12 x Ø33	730	450	38	1000	415	5902276892547	60 358-994
300	450	515	16 x Ø33	850	550	42	630	540	5902276892134	60 358-195
300	450	515	16 x Ø33	850	550	42	800	540	5902276892264	60 358-295
300	450	515	16 x Ø33	850	550	42	1000	540	5902276892400	60 358-395
300	450	515	16 x Ø33	850	550	42	1250	540	5902276892530	60 358-495

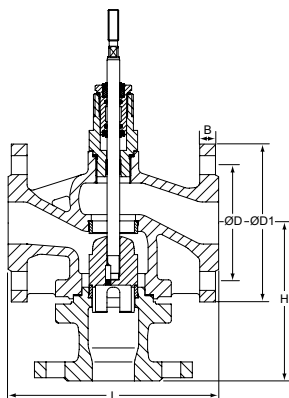
CV240E (2-way)



PN 40

DN	D	D1	No of bolts	L	B	Kvs	Kg	EAN	Article No
15	65	95	4 x Ø14	130	16	0,16	7	5901688825532	60 259-115
15	65	95	4 x Ø14	130	16	0,25	7	5901688825679	60 259-215
15	65	95	4 x Ø14	130	16	0,4	7	5901688825808	60 259-315
15	65	95	4 x Ø14	130	16	0,63	7	5901688825938	60 259-415
15	65	95	4 x Ø14	130	16	1	7	5901688826072	60 259-515
15	65	95	4 x Ø14	130	16	1,25	7	5901688826096	60 259-615
15	65	95	4 x Ø14	130	16	1,6	7	5901688826102	60 259-715
15	65	95	4 x Ø14	130	16	2,5	7	5901688826119	60 259-815
15	65	95	4 x Ø14	130	16	4	7	5901688826126	60 259-915
20	75	105	4 x Ø14	150	18	2,5	8	5901688825549	60 259-120
20	75	105	4 x Ø14	150	18	4	8	5901688825686	60 259-220
20	75	105	4 x Ø14	150	18	5	8	5901688825815	60 259-320
20	75	105	4 x Ø14	150	18	6,3	8	5901688825945	60 259-420
25	85	115	4 x Ø14	160	18	5	10	5901688825556	60 259-125
25	85	115	4 x Ø14	160	18	6,3	10	5902276819667	60 259-225
25	85	115	4 x Ø14	160	18	8	10	5902276819674	60 259-325
25	85	115	4 x Ø14	160	18	10	10	5901688825952	60 259-425
32	100	140	4 x Ø18	180	18	8	13	5901688825563	60 259-132
32	100	140	4 x Ø18	180	18	10	13	5901688825693	60 259-232
32	100	140	4 x Ø18	180	18	12,5	13	5901688825822	60 259-332
32	100	140	4 x Ø18	180	18	16	13	5901688825969	60 259-432
40	110	150	4 x Ø18	200	18	12,5	14	5901688825570	60 259-140
40	110	150	4 x Ø18	200	18	16	14	5901688825709	60 259-240
40	110	150	4 x Ø18	200	18	20	14	5901688825839	60 259-340
40	110	150	4 x Ø18	200	18	25	14	5901688825976	60 259-440
50	125	165	4 x Ø18	230	20	20	19	5901688825587	60 259-150
50	125	165	4 x Ø18	230	20	25	19	5901688825716	60 259-250
50	125	165	4 x Ø18	230	20	31,5	19	5901688825846	60 259-350
50	125	165	4 x Ø18	230	20	40	19	5901688825983	60 259-450
65	145	185	8 x Ø18	290	22	31,5	27	5901688825594	60 259-165
65	145	185	8 x Ø18	290	22	40	27	5901688825723	60 259-265
65	145	185	8 x Ø18	290	22	50	27	5901688825853	60 259-365
65	145	185	8 x Ø18	290	22	63	27	5901688825990	60 259-465
80	160	200	8 x Ø18	310	24	50	38	5901688825600	60 259-180
80	160	200	8 x Ø18	310	24	63	38	5901688825730	60 259-280
80	160	200	8 x Ø18	310	24	80	38	5901688825860	60 259-380
80	160	200	8 x Ø18	310	24	100	38	5901688826003	60 259-480
100	190	235	8 x Ø22	350	24	80	53	5901688825617	60 259-190
100	190	235	8 x Ø22	350	24	100	53	5901688825747	60 259-290
100	190	235	8 x Ø22	350	24	125	53	5901688825877	60 259-390
100	190	235	8 x Ø22	350	24	160	53	5901688826010	60 259-490
125	220	270	8 x Ø26	400	26	125	67	5901688825624	60 259-191
125	220	270	8 x Ø26	400	26	160	67	5901688825754	60 259-291
125	220	270	8 x Ø26	400	26	200	67	5901688825884	60 259-391
125	220	270	8 x Ø26	400	26	250	67	5901688826027	60 259-491
150	250	300	8 x Ø26	480	28	200	102	5901688825631	60 259-192
150	250	300	8 x Ø26	480	28	250	102	5901688825761	60 259-292
150	250	300	8 x Ø26	480	28	315	102	5901688825891	60 259-392
150	250	300	8 x Ø26	480	28	400	102	5901688826034	60 259-492
200	320	375	12 x Ø30	600	34	315	260	5901688825648	60 259-193
200	320	375	12 x Ø30	600	34	400	260	5901688825778	60 259-293
200	320	375	12 x Ø30	600	34	500	260	5901688825907	60 259-393
200	320	375	12 x Ø30	600	34	630	260	5901688826041	60 259-493
250	385	450	12 x Ø33	730	38	500	355	5901688825785	60 259-294
250	385	450	12 x Ø33	730	38	630	355	5901688825914	60 259-394
250	385	450	12 x Ø33	730	38	800	355	5901688826058	60 259-494
250	385	450	12 x Ø33	730	38	1000	355	5901688826089	60 259-994
300	450	515	16 x Ø33	850	42	630	460	5901688825662	60 259-195
300	450	515	16 x Ø33	850	42	800	460	5901688825792	60 259-295
300	450	515	16 x Ø33	850	42	1000	460	5901688825921	60 259-395
300	450	515	16 x Ø33	850	42	1250	460	5901688826065	60 259-495

CV340E (3-way)



PN 40

DN	D	D1	No of bolts	L	H	B	Kvs	Kg	EAN	Article No
15	65	95	4 x Ø14	130	130	16	2,5	8	5902276892554	60 359-115
15	65	95	4 x Ø14	130	130	16	4	8	5902276892691	60 359-215
20	75	105	4 x Ø14	150	130	18	2,5	9	5902276892561	60 359-120
20	75	105	4 x Ø14	150	130	18	4	9	5902276892707	60 359-220
20	75	105	4 x Ø14	150	130	18	5	9	5902276892820	60 359-320
20	75	105	4 x Ø14	150	130	18	6,3	9	5902276892950	60 359-420
25	85	115	4 x Ø14	160	130	18	5	11	5902276892578	60 359-125
25	85	115	4 x Ø14	160	130	18	6,3	11		60 359-225
25	85	115	4 x Ø14	160	130	18	8	11	5902276892837	60 359-325
25	85	115	4 x Ø14	160	130	18	10	11	5902276892967	60 359-425
32	100	140	4 x Ø18	180	150	18	8	16	5902276892585	60 359-132
32	100	140	4 x Ø18	180	150	18	10	16	5902276892714	60 359-232
32	100	140	4 x Ø18	180	150	18	12,5	16	5902276892844	60 359-332
32	100	140	4 x Ø18	180	150	18	16	16	5902276892974	60 359-432
40	110	150	4 x Ø18	200	150	18	12,5	17	5902276892592	60 359-140
40	110	150	4 x Ø18	200	150	18	16	17	5902276892721	60 359-240
40	110	150	4 x Ø18	200	150	18	20	17	5902276892851	60 359-340
40	110	150	4 x Ø18	200	150	18	25	17	5902276892981	60 359-440
50	125	165	4 x Ø18	230	160	20	20	22	5902276892608	60 359-150
50	125	165	4 x Ø18	230	160	20	25	22	5902276892738	60 359-250
50	125	165	4 x Ø18	230	160	20	31,5	22	5902276892868	60 359-350
50	125	165	4 x Ø18	230	160	20	40	22	5902276892998	60 359-450
65	145	185	8 x Ø18	290	170	22	31,5	33	5902276892615	60 359-165
65	145	185	8 x Ø18	290	170	22	40	33	5902276892745	60 359-265
65	145	185	8 x Ø18	290	170	22	50	33	5902276892875	60 359-365
65	145	185	8 x Ø18	290	170	22	63	33	5902276893001	60 359-465
80	160	200	8 x Ø18	310	215	24	50	45	5902276892622	60 359-180
80	160	200	8 x Ø18	310	215	24	63	45	5902276892752	60 359-280
80	160	200	8 x Ø18	310	215	24	80	45	5902276892882	60 359-380
80	160	200	8 x Ø18	310	215	24	100	45	5902276893018	60 359-480
100	190	235	8 x Ø22	350	215	24	80	58	5902276892639	60 359-190
100	190	235	8 x Ø22	350	215	24	100	58	5902276892769	60 359-290
100	190	235	8 x Ø22	350	215	24	125	58	5902276892899	60 359-390
100	190	235	8 x Ø22	350	215	24	160	58	5902276893025	60 359-490
125	220	270	8 x Ø26	400	260	26	125	79	5902276892646	60 359-191
125	220	270	8 x Ø26	400	260	26	160	79	5902276892776	60 359-291
125	220	270	8 x Ø26	400	260	26	200	79	5902276892905	60 359-391
125	220	270	8 x Ø26	400	260	26	250	79	5902276893032	60 359-491
150	250	300	8 x Ø26	480	280	28	200	121	5902276892653	60 359-192
150	250	300	8 x Ø26	480	280	28	250	121	5902276892783	60 359-292
150	250	300	8 x Ø26	480	280	28	315	121	5902276892912	60 359-392
150	250	300	8 x Ø26	480	280	28	400	121	5902276893049	60 359-492
200	320	375	12 x Ø30	600	400	34	315	300	5902276892660	60 359-193
200	320	375	12 x Ø30	600	400	34	400	300	5902276892790	60 359-293
200	320	375	12 x Ø30	600	400	34	500	300	5902276892929	60 359-393
200	320	375	12 x Ø30	600	400	34	630	300	5902276893056	60 359-493
250	385	450	12 x Ø33	730	450	38	500	415	5902276892806	60 359-294
250	385	450	12 x Ø33	730	450	38	630	415	5902276892936	60 359-394
250	385	450	12 x Ø33	730	450	38	800	415	5902276893063	60 359-494
250	385	450	12 x Ø33	730	450	38	1000	415	5902276893087	60 359-994
300	450	515	16 x Ø33	850	550	42	630	540	5902276892684	60 359-195
300	450	515	16 x Ø33	850	550	42	800	540	5902276892813	60 359-295
300	450	515	16 x Ø33	850	550	42	1000	540	5902276892943	60 359-395
300	450	515	16 x Ø33	850	550	42	1250	540	5902276893070	60 359-495

Actuators

Type	Power supply	Actuating thrust [kN]	Input signal	For valve	EAN	Article No
TA-MC103/24	24 VAC/VDC	1,0	3-point, 0(2)-10V, 4(0)-20 mA	DN 15-40	5902276889769	61 103-001
TA-MC103/230	230 VAC	1,0	3-point, 0(2)-10V, 4(0)-20 mA	DN 15-40	5901688826249	61 103-002
TA-MC163/24	24 VAC/VDC	1,6	3-point, 0(2)-10V, 4(0)-20 mA	DN 15-65	5901688826324	61 163-001
TA-MC163/230	230 VAC	1,6	3-point, 0(2)-10V, 4(0)-20 mA	DN 15-65	5901688826331	61 163-002
TA-MC223/24	24 VAC/VDC	2,2	3-point, 0(2)-10V, 4(0)-20 mA	DN 15-65	5902276818288	61 223-001
TA-MC223/230	230 VAC	2,2	3-point, 0(2)-10V, 4(0)-20 mA	DN 15-65	5902276818295	61 223-002
TA-MC403/24	24 VAC	4,0	3-point, 0(2)-10V, 4(0)-20 mA	DN 15-100	5901688826393	61 403-001
TA-MC403/230	230 VAC	4,0	3-point, 0(2)-10V, 4(0)-20 mA	DN 15-100	5901688826409	61 403-002
TA-MC403/24	24 VAC	4,0	3-point, 0(2)-10V, 4(0)-20 mA	DN 125-150	5901688826416	61 403-011
TA-MC403/230	230 VAC	4,0	3-point, 0(2)-10V, 4(0)-20 mA	DN 125-150	5901688826423	61 403-012
TA-MC503/24	24 VAC/VDC	5,0	3-point, 0(2)-10V, 4(0)-20 mA	DN 15-100	5901688826430	61 503-001
TA-MC503/230	230 VAC	5,0	3-point, 0(2)-10V, 4(0)-20 mA	DN 15-100	5901688826447	61 503-002
TA-MC503/24	24 VAC/VDC	5,0	3-point, 0(2)-10V, 4(0)-20 mA	DN 125-150	5901688826454	61 503-011
TA-MC503/230	230 VAC	5,0	3-point, 0(2)-10V, 4(0)-20 mA	DN 125-150	5901688826461	61 503-012
TA-MC1003/24	24 VAC	10,0	3-point, 0(2)-10V, 4(0)-20 mA	DN 65-100	5901688826133	61 003-001
TA-MC1003/230	230 VAC	10,0	3-point, 0(2)-10V, 4(0)-20 mA	DN 65-100	5901688826140	61 003-002
TA-MC1003/24	24 VAC	10,0	3-point, 0(2)-10V, 4(0)-20 mA	DN 125-200	5901688826157	61 003-011
TA-MC1003/230	230 VAC	10,0	3-point, 0(2)-10V, 4(0)-20 mA	DN 125-200	5901688826164	61 003-012
TA-MC1003/24	24 VAC	10,0	3-point, 0(2)-10V, 4(0)-20 mA	DN 250	5901688826171	61 003-021
TA-MC1003/230	230 VAC	10,0	3-point, 0(2)-10V, 4(0)-20 mA	DN 250	5901688826188	61 003-022
TA-MC1503/24	24 VAC	15,0	3-point, 0(2)-10V, 4(0)-20 mA	DN 125-200	5901688826287	61 153-011
TA-MC1503/230	230 VAC	15,0	3-point, 0(2)-10V, 4(0)-20 mA	DN 125-200	5901688826294	61 153-012
TA-MC1503/24	24 VAC	15,0	3-point, 0(2)-10V, 4(0)-20 mA	DN 250-300	5901688826300	61 153-021
TA-MC1503/230	230 VAC	15,0	3-point, 0(2)-10V, 4(0)-20 mA	DN 250-300	5901688826317	61 153-022
TA-MH2503/230	230 VAC	25,0	3-point, 0(2)-10V, 4(0)-20 mA	DN 125-300		*)

*) Special order, please contact IMI Hydronic Engineering.

Note: DC – Direct-current rectified alternating voltage.

In case of flat direct current, please contact IMI Hydronic Engineering.

Fail-safe actuators

For 2-way valves only

Type	Power supply	Actuating thrust [kN]	Input signal	For valve	EAN	Article No
TA-MC103SE/24	24 VAC	1,0	3-point, 0(2)-10V, 4(0)-20 mA	DN 15-40	5901688826485	61 103-101
TA-MC103SE/230	230 VAC	1,0	3-point, 0(2)-10V, 4(0)-20 mA	DN 15-40	5901688826492	61 103-102
TA-MC253SE/24	24 VAC	2,5	3-point, 0(2)-10V, 4(0)-20 mA	DN 15-65	5901688826508	61 253-101
TA-MC253SE/230	230 VAC	2,5	3-point, 0(2)-10V, 4(0)-20 mA	DN 15-65	5901688826515	61 253-102

For fail-safe actuators for DN 80-150 please contact IMI Hydronic Engineering.

Accessories for actuators

ACA71, ACA72, ACA76

NOTE!

- ACA72 must be ordered together with the actuator.
- TA-MC103, TA-MC103SE, TA-MC163, TA-MC223: Position switch unit (ACA71) and output signal 0(4)...20 mA (ACA76) not in combination.

Type	For actuator	EAN	Article No
ACA71 Position switch (2 switches)	TA-MC103, TA-MC103SE, TA-MC163, TA-MC223	5902276894169	67 071-100XA
ACA72 Enclosure class IP65	TA-MC103, TA-MC103SE, TA-MC163, TA-MC223	5902276818325	67 072-100XA
ACA76 Output signal 0(4)-20 mA	TA-MC103, TA-MC103SE, TA-MC163, TA-MC223	5902276894183	67 076-100XA
ACA71 Position switch (2 switches)	TA-MC403, TA-MC503, TA-MC1003, TA-MC1503	5901688826577	67 071-250XA
ACA72 Enclosure class IP65	TA-MC403, TA-MC503, TA-MC1003, TA-MC1503	5902276817885	67 072-250XA
ACA76 Output signal 0(4)-20 mA	TA-MC403, TA-MC503, TA-MC1003, TA-MC1503	5901688826553	67 076-250XA

For actuator accessories, please add "SO" (special order) after the article number of the actuator, and include the article number for the type of accessory.

Example: 61 103-001SO + 67 071-100XA

Accessories for valves

ACV64

Stem heater for water-glycol mixtures.

Min. temperature: -30°C

Power supply: 24 VAC, 50/60 Hz or 24 VDC.

Power consumption: $P_{max} \approx 400$ VA, $P_N \approx 30$ VA

Operation mode: S1 100% ED

Ingress protection: IP54

Fuse protection circuit breaker 16A, tripping characteristic "B".

For DN	EAN	Article No
15-100	5902276804625	68 064-015
125-200	5902276804632	68 064-091
250-300	5902276804649	68 064-094

