

For sealed central heating and chilled water (cooling) installations. The valve opens when the pressure increases excessively.

Prescor safety valves have a special shape which, not only achieves a perfect seal, but also provides a large blow off capacity. The valve seal is made of high quality rubber which is heat resistant to 140 °C and where the hardness of the rubber adjusts to the set pressure of the safety valve. In this way, the valve cannot stick to the seat.

All valves are tested before they leave our facility and are available for heating and cooling installations as well as for protection of various hot water storage appliances. For safety valves for potable water installations see "Accessories for Sanitary Installations".

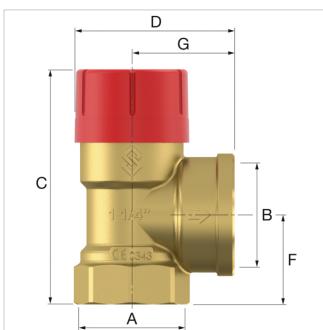



Advantages


- Specially designed pop action for full discharge at opening pressure to reduce the pressure quickly.
- High quality materials and state-of-the-art design features guarantee a high degree of safety.
- CE-conformity mark (PED 2014/68/EU), for application areas according to Pressure Equipment Directive.
- The opening pressure of all valves is individually tested.

Technical Specifications

- Minimum/Maximum working temperature: -10 °C / 120 °C.
 - Peak load: 140 °C.
 - Suitable for addition of glycol-based anti-freeze up to 50%.
- Operational tolerance is -5% to +5% on set pressure (NF certified valves have a tolerance of -0% to +10%).

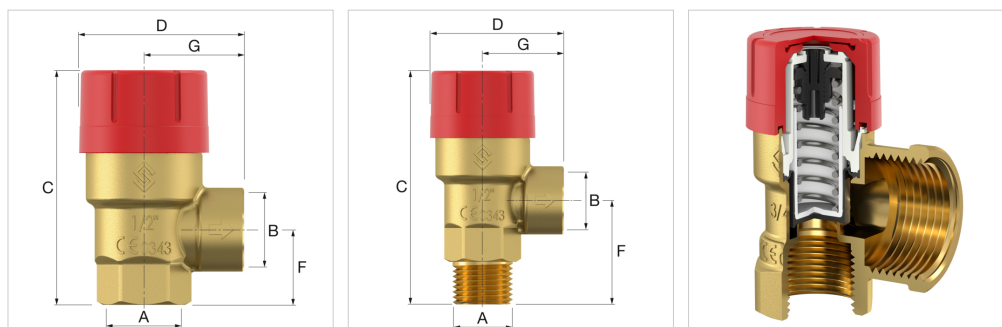


Type	Set pressure [bar]	Connection		Dimensions				Heating capacity [kW]		Order Code
		A	B	C [mm]	D [mm]	F [mm]	G [mm]			
Prescor 1/2 - 1.5 bar	1.5	Rp 1/2"	Rp 1/2"	68.7	47.2	21.5	28.5	85	50	27608
Prescor 1/2 - 1.8 bar	1.8	Rp 1/2"	Rp 1/2"	68.7	47.2	21.5	28.5	95	50	27602

Type	Set pressure [bar]	Connection		Dimensions				Heating capacity [kW]		Order Code
		A	B	C [mm]	D [mm]	F [mm]	G [mm]			
Prescor $\frac{1}{2}$ - 3.0 bar	3.0	Rp $\frac{1}{2}$ "	Rp $\frac{1}{2}$ "	68.7	47.2	21.5	28.5	125	50	27665
Prescor $\frac{1}{2}$ - 4.0 bar	4.0	Rp $\frac{1}{2}$ "	Rp $\frac{1}{2}$ "	68.7	47.2	21.5	28.5	155	50	27606
Prescor $\frac{1}{2}$ M - 3.0 bar	3.0	R $\frac{1}{2}$ "	Rp $\frac{1}{2}$ "	81.2	47.2	19	28.5	125	50	27675
Prescor $\frac{1}{2}$ - 2.5 bar *	2.5	Rp $\frac{1}{2}$ "	Rp $\frac{3}{4}$ "	74.7	53.2	26.5	34.5	50	50	27630
Prescor $\frac{1}{2}$ - 3.0 bar *	3.0	Rp $\frac{1}{2}$ "	Rp $\frac{3}{4}$ "	74.7	53.2	26.5	34.5	50	50	27634
Prescor $\frac{3}{4}$ - 1.5 bar	1.5	Rp $\frac{3}{4}$ "	Rp $\frac{3}{4}$ "	70.9	49.2	23.5	30.5	115	50	27023
Prescor $\frac{3}{4}$ - 1.8 bar	1.8	Rp $\frac{3}{4}$ "	Rp $\frac{3}{4}$ "	70.9	49.2	23.5	30.5	125	50	27021
Prescor $\frac{3}{4}$ - 2.5 bar	2.5	Rp $\frac{3}{4}$ "	Rp $\frac{3}{4}$ "	70.9	49.2	23.5	30.5	150	50	27026
Prescor $\frac{3}{4}$ M - 2.5 bar	2.5	R $\frac{3}{4}$ "	Rp $\frac{3}{4}$ "	85.3	49.1	38	30.5	150	40	27030
Prescor $\frac{3}{4}$ - 3.0 bar	3.0	Rp $\frac{3}{4}$ "	Rp $\frac{3}{4}$ "	70.9	49.2	23.5	30.5	165	50	27025
Prescor $\frac{3}{4}$ - 4.0 bar	4.0	Rp $\frac{3}{4}$ "	Rp $\frac{3}{4}$ "	70.9	49.2	23.5	30.5	200	50	27028
Prescor $\frac{3}{4}$ - 3.0 bar *	3.0	Rp $\frac{3}{4}$ "	Rp 1"	76.8	55.2	29.5	36.5	100	40	27024
Prescor $\frac{3}{4}$ - 2.5 bar *	2.5	Rp $\frac{3}{4}$ "	Rp 1"	76.8	55.2	29.5	36.5	100	40	27020
Prescor $\frac{3}{4}$ - 2.0 bar	2.0	Rp $\frac{3}{4}$ "	Rp $\frac{3}{4}$ "	70.9	49.2	23.5	30.5	135	50	28280
Prescor $\frac{3}{4}$ M x K 22 - 1.5 bar	1.5	R $\frac{3}{4}$ "	K 22	85.4	58.6	38	40	105	40	28330
Prescor $\frac{3}{4}$ M x K 22 - 2.0 bar	2.0	R $\frac{3}{4}$ "	K 22	85.4	58.6	38	40	120	40	28331
Prescor $\frac{3}{4}$ M x K 22 - 2.5 bar	2.5	R $\frac{3}{4}$ "	K 22	85.4	58.6	38	40	135	40	28332
Prescor $\frac{3}{4}$ M x K 22 - 3.0 bar	3.0	R $\frac{3}{4}$ "	K 22	85.4	58.6	38	40	150	40	28333
Prescor 1 - 1.5 bar	1.5	Rp 1"	Rp 1 $\frac{1}{4}$ "	100.5	73.2	36	47	275	16	27042
Prescor 1 - 2.0 bar	2.0	Rp 1"	Rp 1 $\frac{1}{4}$ "	100.5	73.2	36	47	320	16	27043
Prescor 1 - 2.5 bar	2.5	Rp 1"	Rp 1 $\frac{1}{4}$ "	100.5	73.2	36	47	355	16	27034
Prescor 1 - 3.0 bar	3.0	Rp 1"	Rp 1 $\frac{1}{4}$ "	100.5	73.2	36	47	395	16	27045
Prescor 1 - 3.5 bar	3.5	Rp 1"	Rp 1 $\frac{1}{4}$ "	100.5	73.2	36	47	445	16	27047
Prescor 1 - 4.0 bar	4.0	Rp 1"	Rp 1 $\frac{1}{4}$ "	100.5	73.2	36	47	485	16	27040
Prescor 1 - 5.0 bar	5.0	Rp 1"	Rp 1 $\frac{1}{4}$ "	100.5	73.2	36	47	580	16	27049
Prescor 1 - 3.0 bar *	3.0	Rp 1"	Rp 1 $\frac{1}{4}$ "	100.5	73.2	36	47	200	16	27048
Prescor 1 - 2.5 bar *	2.5	Rp 1"	Rp 1 $\frac{1}{4}$ "	100.5	73.2	36	47	200	16	27044
Prescor 1 $\frac{1}{4}$ - 3.0 bar	3.0	Rp 1 $\frac{1}{4}$ "	Rp 1 $\frac{1}{2}$ "	108.5	73.5	41	47	580	16	27056
Prescor 1 $\frac{1}{4}$ - 4.0 bar	4.0	Rp 1 $\frac{1}{4}$ "	Rp 1 $\frac{1}{2}$ "	108.5	73.5	41	47	710	16	27037
Prescor 1 $\frac{1}{4}$ - 5.0 bar	5.0	Rp 1 $\frac{1}{4}$ "	Rp 1 $\frac{1}{2}$ "	108.5	73.5	41	47	845	16	27039
Prescor 1 $\frac{1}{4}$ - 2.5 bar *	2.5	Rp 1 $\frac{1}{4}$ "	Rp 1 $\frac{1}{2}$ "	108.5	73.5	41	47	350	16	27055
Prescor 1 $\frac{1}{4}$ - 3.0 bar *	3.0	Rp 1 $\frac{1}{4}$ "	Rp 1 $\frac{1}{2}$ "	108.5	73.5	41	47	350	16	27057

* Manufactured according to TRD directives.



**Find more information online:**

[Installation and operating instructions \(multiple languages\)](#)

[CE declaration](#)

[Declaration of conformity UKCA](#)

[Certificate NF FLAMCO](#)

[Prescor ADSK](#)

[Prescor ADSK Revit](#)

[Prescor DWG](#)

[Prescor STEP](#)

[Packaging data](#)

Washway Lane
UK-WA10 6PB, St Helens, Merseyside - gb

T +44 17 447 447 44
E uk.info@aalberts-hfc.com
I flamcogroup.com/uk-en