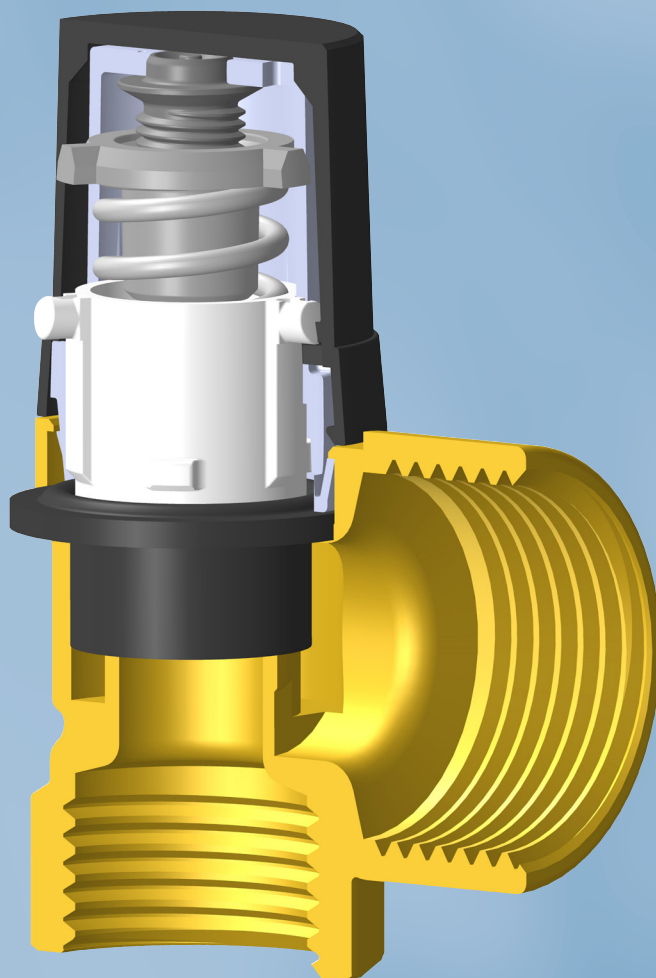


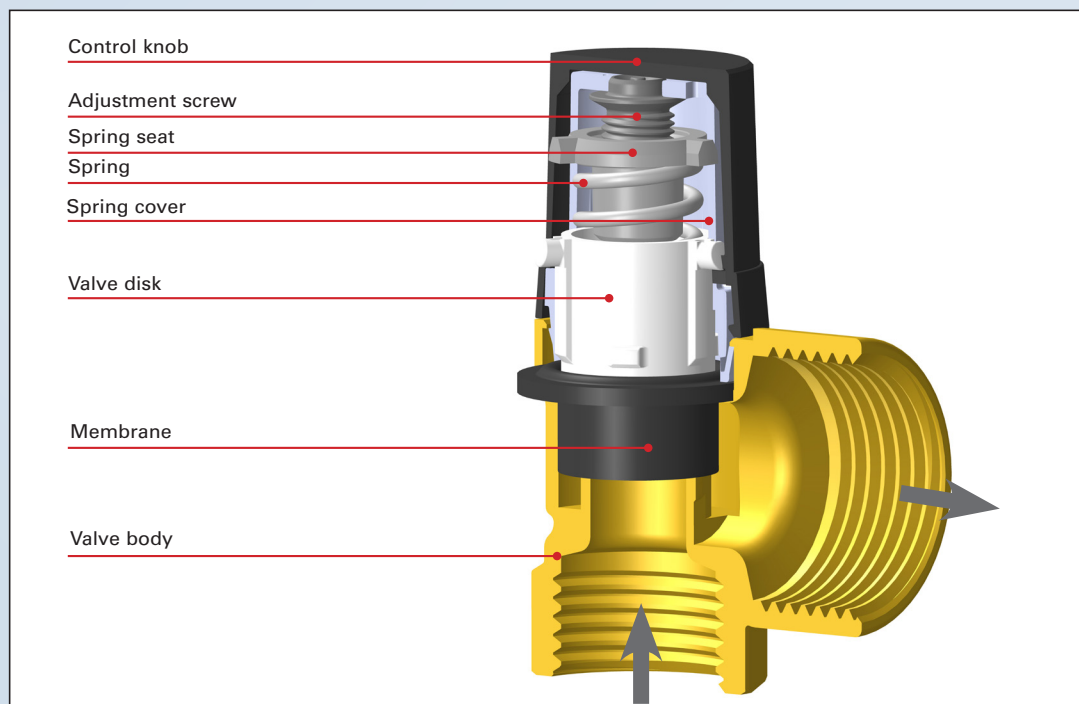
Technical Information Heating Safety Valves DN15/DN20



**OS
S
E**



Technical Information Heating Safety Valves DN15/DN20



All Duco safety valves meet the requirements of the Pressure Equipment Directive (PED) "Directive 2014/68/EU Module B/Module D"
The quality system also complies with the NEN-EN-ISO 9001

NORM: NEN-EN-ISO 4126-1

Medium water and water/glycol solutions up to 50%
Min./max. working temperature -10°C / +120°C

Material specifications

Valve body	Brass (CW617N) Pb<2,2%
Spring cover	PA 6,6 - 30%GF
Membrane	EPDM Shore Peroxide cured
Valve disk	PA 6 - 30%GF
Preset spring	Spring steel (galvanised)
Adjustment screw	PA 6 - 15% GF
Spring seat	PBT 420 1001
Control knob	ABS (black)



PenTec bv
Edisonweg 7
3442 AC Woerden
The Netherlands

Tel. +31 (0)182 503 100
E-mail info@pentecbv.nl
Internet www.duco.nl
www.pentecbv.nl

