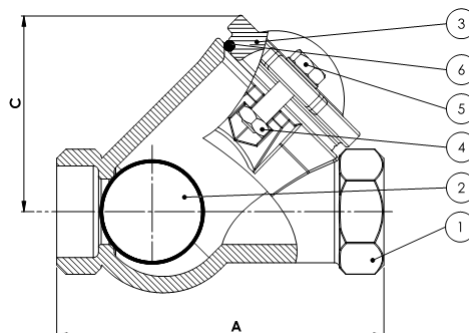
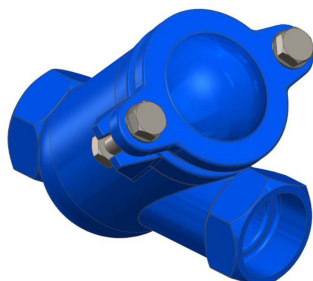


# NEPOVRATNI VENTIL, KROGLIČNI, NAVOJNI / BALL CHECK VALVE, THREADED

// Delovna temperatura / Working temperature: 0 °C / +70 °C



## Materiali / Materials

|   |                 |  |   |                   |   |
|---|-----------------|--|---|-------------------|---|
| 1 | Ohišje<br>Body  | Nodularna litina – EN-GJS-400-15 (GGG40)<br>Ductile Iron – EN-GJS-400-15 (GGG40) | 4 | Matice<br>Nut     | Ogljikovo jeklo<br>Carbon Steel Zinc plated |
| 2 | Krogla<br>Ball  | Aluminij prevlečen z NBR<br>Aluminium NBR wrapped                                | 5 | Vijaki<br>Bolt    | Ogljikovo jeklo<br>Carbon Steel Zinc plated |
| 3 | Pokrov<br>Cover | Nodularna litina – EN-GJS-400-15 (GGG40)<br>Ductile Iron – EN-GJS-400-15 (GGG40) | 6 | O-obroč<br>O-ring | NBR   |

## PN16

| Art.    | DN     | A     | C   | Teža / Weight [kg] |
|---------|--------|-------|-----|--------------------|
| A036454 | 1"     | 125,0 | 79  | 1,35               |
| A036455 | 1 1/4" | 132,5 | 74  | 1,40               |
| A036456 | 1 1/2" | 145,5 | 88  | 2,00               |
| A036457 | 2"     | 174,0 | 114 | 3,35               |
| A036458 | 2 1/2" | 199,7 | 134 | 5,50               |
| A036459 | 3"     | 242,5 | 165 | 10,55              |

**Opombe**  
Navoj po BSP.

**Notes**  
Threaded according to BSP.