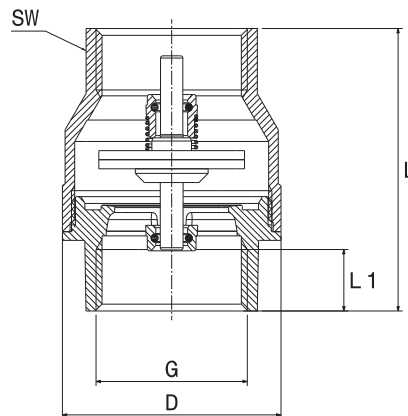


# HERZ - Check Valve

 Datasheet 1 **2622** 4X, Issue 0318

## ☑ Dimensions



Art.nr.	DN	G [in]	L [mm]	L1 [mm]	D [mm]	Sw [mm]	Kvs [m³/h]	Weight [kg]
1 <b>2622</b> 41	15	1/2	47	9,6	29	25	2,9	0,104
1 <b>2622</b> 42	20	3/4	52	11,2	38	31	6,0	0,174
1 <b>2622</b> 43	25	1	62	13,5	48	38	10,2	0,285
1 <b>2622</b> 44	32	1-1/4	65	12,5	56	47	14,4	0,404
1 <b>2622</b> 45	40	1-1/2	73	14,5	69	54	26,4	0,698
1 <b>2622</b> 46	50	2	80	16	83	66	38	0,988

## ☑ Material and construction

Body:	forged brass (CW617N) acc. EN 12165
Holder:	brass (CW614N) acc. EN 12164
Spindle:	brass (CW614N) acc. EN 12164
Sealing:	EPDM
Spring:	stainless steel (AISI 302)
Connections:	female thread acc. ISO228

## ☑ Operating data

Max. operating pressure:	PN 25
Opening pressure:	appr. 0,02 bar
Max. temperature:	110°C (no steam, depending on pressure)

### Medium:

Heating water quality according to ÖNORM H5195 or VDI-Standard 2035. The use of ethylene or propylene glycol in a mixing ratio 25- 50% is allowed. Please refer to manufacturers documentation when using ethylene glycol products for frost and corrosion protection. HERZ ball valve for heating and chilled water is not suitable for usage of aggressive medium (such as: acids, alkalis, combustible and explosive gases..) because it can destroy sealing components.

## ☑ Field of application

Check valves can be used in central heating systems, HVAC and chilled water systems, where the flow of medium in just one direction is required. Check valves are axially tracked by a spindle and a spring returns the valve to closed position. Sealings are designed for high and low pressure. The arrow on the body has to align with the direction of the flow. Attention! It is not suitable for use with piston compressors (because of pulsing tension). Thanks to the improving of the structure and of the shutter seat, the check valve has low pressure drops and is noise free.

**☑ Assembly instruction**

The check valve can be mounted in each direction: vertical, horizontal or diagonal. Fix the key on the hexagon which must be assembled on the tube. Keep the tube with the pincers to avoid any movement and screw the valve into the pipe. Fix the valve on the tube using the key which must be kept on the hexagon to be assembled onto the pipe and screw the tube with the pincers into the valve. Through wrong installation, the connection between body and screw-in part can be damaged. Pay attention to the direction of the fluid, which is indicated through an arrow on the body.

**☑ Brass**

HERZ use top-quality brass that responds to the latest European norms DIN EN 12164 and DIN EN 12165.

**☑ Function principle**

The Spring Check Valves are automatic and do not require any action. Check valve in fully metal design. The check valve is supported by a stainless steel spring. Perfect closing even by low counter pressure. Opening pressure appr. 0,02 bar (0,29 psi).

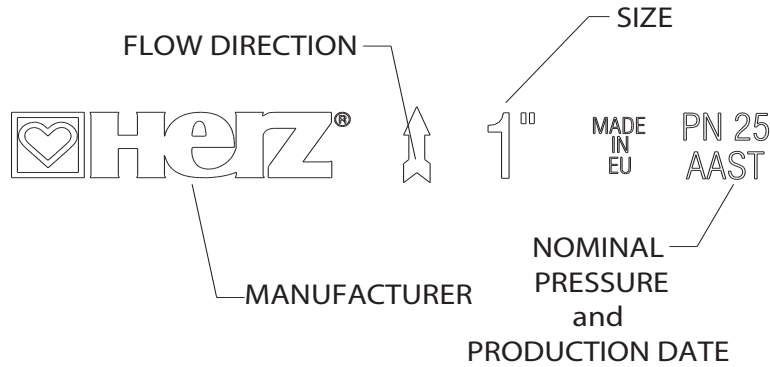
**☑ Maintenance instruction**

Once the check valve is properly installed, no maintenance is required. Attention! Aggressive media and additives can attack the components. Not suitable for steam!

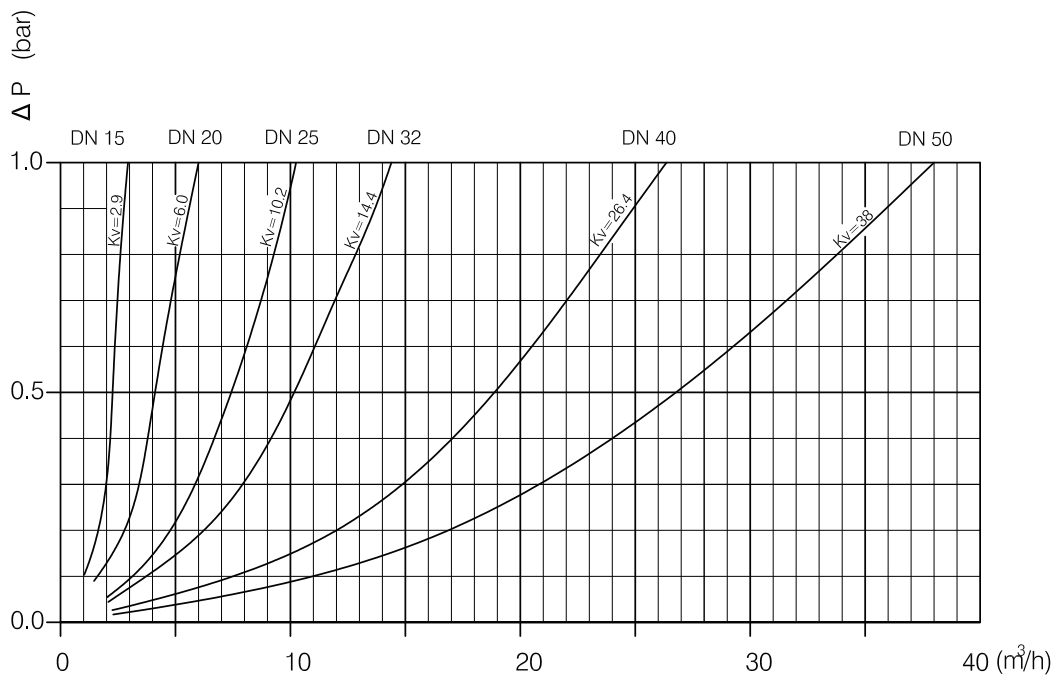
**☑ Disposal instruction**

The disposal of HERZ check valves must not endanger the health or the environment. National legal regulations for proper disposal of the HERZ check valves for heating and chilled water have to be followed.

**☑ Labels on check valves**



**☑ Pressure-flow chart**



**Please note:** All specifications and information within this document are reflecting the information available at the time of going to print and meant for informational purpose only. Herz Armaturen reserves the right to modify and change products as well as its technical specifications and/or its function according to technological progress and requirements. All diagrams are indicative in nature and do not to be complete. It is understood that all images of Herz products are symbolic representations and therefore may visually differ from the actual product. Colours may differ due to printing technology used. In case of any further questions don't hesitate to contact your closest HERZ Branch-Office.