

## Data sheet

# Non return Valve - Danfoss NVD 802

### Description



#### Features:

- Operating position : horizontal and vertical
- Easy to install and dismantle, space-saving
- Minimum head loss
- Does not generate hammering
- Closing system : disc with parabolic edges with return spring ; lateral guiding by 3 or 4 ribs (DN 32 to 100).

- Closing system with back axial guiding and return spring (DN 125 to 200).
- Metal/metal seal (machined trim)
- Using these check valves on networks equipped with piston pumps or compressors is not recommended.

#### Main Data:

- DN 32 - 200
- $k_{vs}$  18 - 546 m<sup>3</sup>/h
- PN 6/16
- Medium:
  - Circulation water, drinking water or chilled glycolic water up to 50%
- Medium Temperature:
  - 10 ... 200°C (DN65 to 200mm : 100°C)
- Mounting between langes PN6/16
- Compliance with Pressure Equipment Directive 2014/68/EU
- Flange drilling according to EN1092-2

- Approvals:

### Ordering

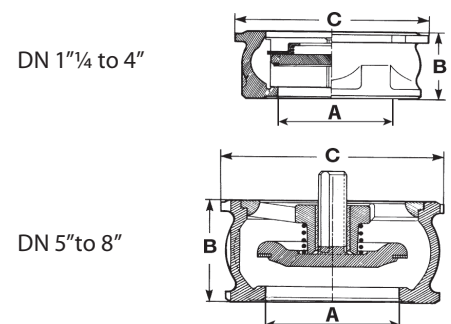
#### Note:

The indicated pressure for the different categories of fluids (L1/L2/G1/G2) is under no condition a guarantee of use. Therefore, it is essential to validate the use of products under given operating conditions.

| "   | DN  | Kv (m <sup>3</sup> /h) | PN   | PFA (bar) | PS (bar) |    |     |    | Code No. |
|-----|-----|------------------------|------|-----------|----------|----|-----|----|----------|
|     |     |                        |      |           | L1       | L2 | G1  | G2 |          |
| 1 ¼ | 32  | 18                     | 6/16 | 16        | 16       | 16 | 16  | 16 | 065B7520 |
| 1 ½ | 40  | 28                     |      |           |          |    |     |    | 065B7521 |
| 2   | 50  | 40,1                   |      |           |          |    |     |    | 065B7522 |
| 2 ½ | 65  | 72,5                   |      |           |          |    |     |    | 065B7523 |
| 3   | 80  | 111                    |      |           |          |    |     |    | 065B7524 |
| 4   | 100 | 182                    | 16   | 16        | 13       | 16 | 0,5 | 16 | 065B7525 |
| 5   | 125 | 302                    |      |           |          |    |     |    | 065B7526 |
| 6   | 150 | 370                    |      |           |          |    |     |    | 065B7527 |
| 8   | 200 | 546                    |      |           |          |    |     |    | 065B7528 |

### Dimensions

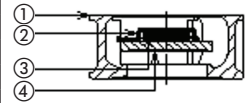
| "   | A DN | B (mm) | C (mm) | D (mm) | Weight (kg) |
|-----|------|--------|--------|--------|-------------|
| 1 ¼ | 32   | 28     | 78     | 84     | 0,35        |
| 1 ½ | 40   | 31,5   | 88     | 94     | 0,52        |
| 2   | 50   | 40     | 98     | 109    | 0,73        |
| 2 ½ | 65   | 46     | 118    | 129    | 1,52        |
| 3   | 80   | 50     | 134    | 144    | 2,17        |
| 4   | 100  | 60     | 154    | 162    | 3,35        |
| 5   | 125  | 90     | -      | 194    | 8,55        |
| 6   | 150  | 106    | -      | 218    | 12,70       |
| 8   | 200  | 140    | 262    | 273    | 23,40       |



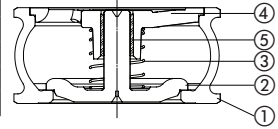
Design

| Pos. | Description                 | Material               | EURO            | ANSI                |
|------|-----------------------------|------------------------|-----------------|---------------------|
| 1    | Casing DN32 to 50 Casing    | DZR brass              | CuZn35Pb2Al-C   |                     |
|      | DN65 to 100                 | Cast iron + epoxy ext. | EN-GJL-250      | ASTM A 48 35 B      |
|      | Casing DN125 to 200         | Cast iron + epoxy ext. | EN-GJS-400-15   | ASTM A 536 60-40-18 |
| 2    | Closing system DN32 to 100  | Stainless steel        | X2CrNiMo17-12-2 | AISI 316L           |
|      | Closing system DN125 to 200 | Cast iron + epoxy      | EN-GJL-250      | ASTM A 48 35 B      |
| 3    | Spring                      | Stainless steel        | X10CrNi18-8     | AISI 302            |
| 4    | Stop guide DN32             | Stainless steel        | X2CrNiMo17-12-2 | AISI 316L           |
|      | Stop guide DN40 to 100      | Stainless steel        | X2CrNi18-9      | AISI 304L           |
|      | Stop guide DN125 to 200     | Cast iron + epoxy      | EN-GJL-250      | ASTM A 48 35 B      |
| 5    | Ring DN125 to 200           | Bronze                 | CuSn12-C        |                     |

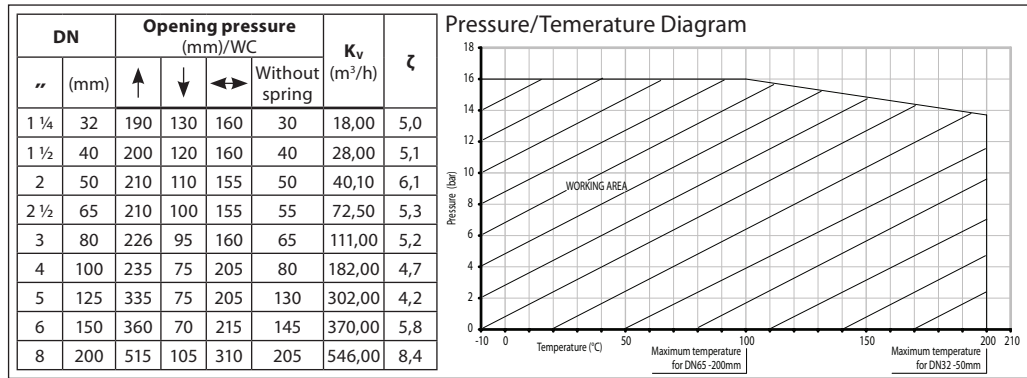
DN 1"¼ to 4"



DN 5" to 8"

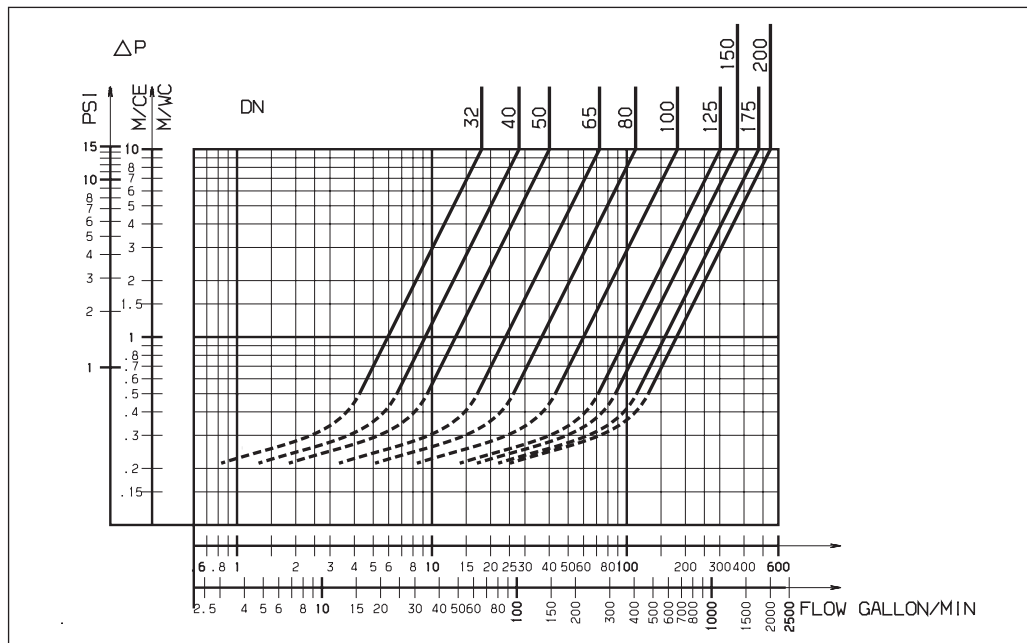


Headloss diagram



Direction for use :

- Solid line : Valve completely open
- Dotted line : opening stage of valve



Danfoss can accept no responsibility for possible errors in catalogues, brochures and other printed material. Danfoss reserves the right to alter its products without notice. This also applies to products already on order provided that such alterations can be made without consequential changes being necessary in specifications already agreed. All trademarks in this material are property of the respective companies. Danfoss and the Danfoss logotype are trademarks of Danfoss A/S. All rights reserved.