

CHECK VALVES



WAFER DOUBLE DOOR CHECK VALVE – DN 50-600

Wafer double door check valve for heating and cooling systems. Available in pressure class PN 16 and 25.

NRV 1010

ADDITIONAL PRODUCTS

TECHNICAL DESCRIPTION

Applications:

Heating and cooling systems.

Function:

Uni-directional flow.

Dimensions:

DN 50-600

Pressure class:

PN 16 and 25.

Temperature:

Max. working temperature: 120°C

Min. working temperature: -10°C

Material:

Body: Cast iron EN-JL1040 (PN 16), EN-JS1050 (PN 25)

Disc: Stainless steel BS970 304S15

Seat: EPDM

Hinge pin: Stainless steel BS970 420S37

Stop pin: Stainless steel BS970 420S37

Pin retainer: Stainless steel BS970 304S15

Spring: Stainless steel BS970 304S15

Washer: PTFE

Gasket: EPDM

Surface treatment:

FBE (fusion bonded epoxy) coated, dark grey.

Marking:

TA-SC, CE, PN and DN.

Flanges:

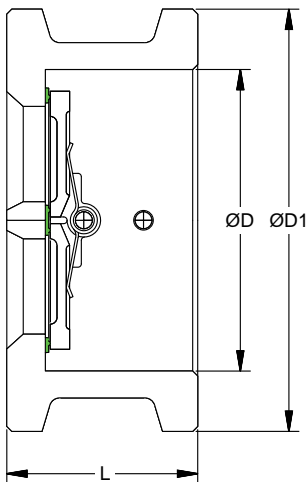
One piece cast iron, suitable for use between flanges drilled in accordance with BS EN 1092-2, PN 10, PN 16, BS 10 Table D or E and ANSI 125.

Face to face:

According to ISO 5752.

NRV 1010

ADDITIONAL PRODUCTS



PN 16

TA No	DN	D	D1	L	Kg	Kvs
77 101-050	50	66	106	54	1,8	54
77 101-065	65	78	126	54	2,4	89
77 101-080	80	90	141	57	3,2	150
77 101-090	100	115	161	64	4,8	310
77 101-091	125	141	191	70	7,3	510
77 101-092	150	170	217	76	10	730
77 101-093	200	210	272	95	14	1400
77 101-094	250	273	327	108	24	2100
77 101-095	300	324	382	143	38	3400
77 101-096	350	356	442	184	60	4000
77 101-097	400	406	494	191	77	5100
77 101-098	450	457	554	203	99	6700
77 101-099	500	508	616	213	115	8700
77 101-001	600	600	733	222	232	13000

PN 25

TA No	DN	D	D1	L	Kg	Kvs
77 101-150	50	66	106	54	1,8	54
77 101-165	65	78	126	54	2,4	89
77 101-180	80	90	141	57	3,2	150
77 101-190	100	115	161	64	4,8	310
77 101-191	125	141	191	70	7,3	510
77 101-192	150	170	217	76	10	730
77 101-193	200	210	272	95	14	1400
77 101-194	250	273	327	108	24	2100
77 101-195	300	324	382	143	38	3400
77 101-196	350	356	442	184	60	4000
77 101-197	400	406	494	191	77	5100
77 101-198	450	457	554	203	99	6700
77 101-199	500	508	616	213	115	8700
77 101-101	600	600	733	222	232	13000

Kvs = m³/h at a pressure drop of 1 bar and fully open valve.

INSTALLATION

Suitable for installation in vertical and horizontal pipelines.

NB: When installed in vertical pipe the flow must be upwards.

Tour & Andersson retains the right to make changes to its products and specifications without prior notice.

6-10-10 NRV 1010 2008.06

TA-SC[®]