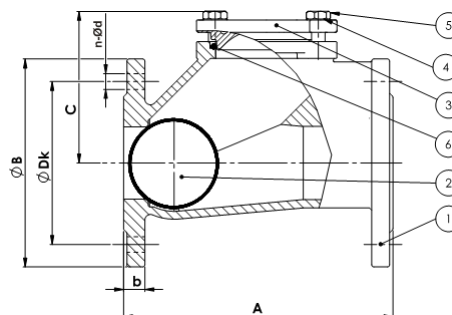
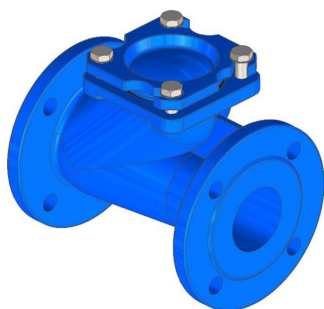


# NEPOVRATNI VENTIL, KROGLIČNI, PRIROBNIČNI / BALL CHECK VALVE, FLANGED

// Delovna temperatura / Working temperature: 0 °C / +70 °C



## Materiali / Materials

1	Ohišje Body	Nodularna litina – EN-GJS-400-15 (GGG40) Ductile Iron – EN-GJS-400-15 (GGG40)	4	Podložka Washer	Ogljikovo jeklo Carbon Steel Zinc plated
2	Krogla Pokrov	Aluminij prevlečen z NBR (DN50 – DN150) Jeklo prevlečeno z NBR (DN200) Aluminium NBR wrapped (DN50 – DN150) Steel NBR wrapped (DN200)	5	Vijaki Bolt	Ogljikovo jeklo Carbon Steel Zinc plated
3	Pokrov Bonnet	Nodularna litina – EN-GJS-400-15 (GGG40) Ductile Iron – EN-GJS-400-15 (GGG40)	6	O-obroč O-ring	NBR

## PN16

Art.	DN	A	ØB	C	ØDk	b	n-Ød	Teža / Weight [kg]
A036460	50	200	165	109	125	20	4-18	7,4
A036461	65	240	185	130	145	20	4-18	11,0
A036462	80	260	200	147	160	22	8-18	15,0
A036463	100	300	220	186	180	24	8-18	22,0
A036464	125	350	250	215	210	26	8-18	34,0
A036465	150	400	285	250	240	26	8-22	45,5
A036466	200	500	340	343	295	30	12-22	87,0

### Opombe

Vgradna dolžina ustreza standardu EN558-1 serija 48 (DIN3202 F6).

### Notes

Face to face dimensions conform to EN558-1 Series 48 (DIN3202 F6).