

Check valves

Without/with lever and counterweight, PN 10 | PN 16

Design features

- Reliable prevention of medium back flow by automatic mechanical closing of the non-return valve.
- The disc opens automatically, if the medium flows in the direction indicated by the arrow on the valve body.
- Face-to-face dimensions according to EN 558-1 GR 48
- Flanges sized in accordance with EN 1092-2, drilled according to EN 1092-2 | PN 10 standard; EN 1092-2 | PN 16 from DN 200 Please specify on order; other standards on request
- **No. 9831:**
 - Reduced weight, simple cleaning, fully corrosion free, optimised velocity, simple maintenance
 - Min. opening pressure 0,03 bar
 - Min. closing pressure 0,5 bar (tight)
- **No. 9830:**
 - Min. opening pressure 0,03 bar
 - Min. closing pressure 0,1 bar (tight)
- **No. 9820:**
 - With lever and counterweight
 - Min. opening pressure 0,03 bar
 - Min. closing pressure 0,1 bar (tight)

Material | Technical features

- **Body**
No. 9831: ductile iron, epoxy powder coated
No. 9830/9820: grey iron, epoxy powder coated
- **Disc/disc lever**
No. 9831: elastomer/polyamide
No. 9830/9820: grey iron, epoxy powder coated
- **Bolts/nuts**
No. 9831: stainless steel
No. 9830/9820: stainless steel
- **Disc gasket**
No. 9831: elastomer
No. 9830/9820: Klingerit
- **Shaft**
No. 9831: polyamide
No. 9830/9820: stainless steel
- **Bolts**
No. 9830/9820: stainless steel
- **Gasket**
No. 9830/9820: elastomer
- **Lever and counterweight**
9820: grey iron, epoxy powder coated

Installation advice

- In general non-return valves are designed to be installed in horizontal pipe lines. An installation in sloping and vertical pipe lines is possible if the flow of the medium is upwards.
- Direction of flow has to be according to the arrow indicated on the body. Axle of the disc shaft has to be fully horizontal.

Check valves

Without lever and counterweight

No. 9831



No. 9830



No. 9820

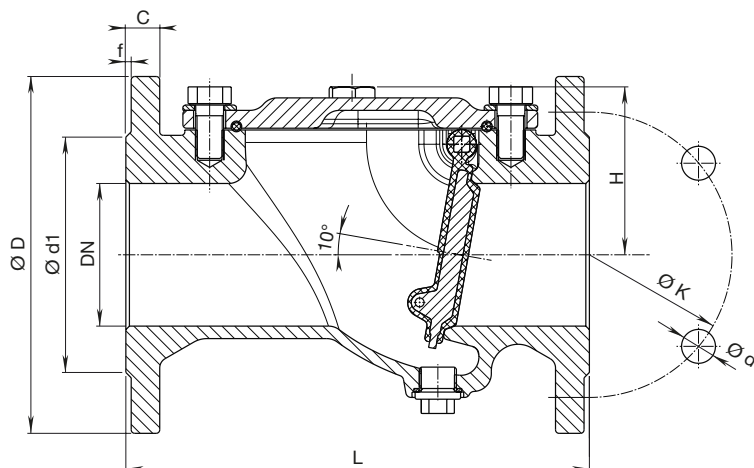
With lever and counterweight (without illustration)

Order No.	Version	MOP (PN)	Dimension/DN												
			40	50	65	80	100	125	150	200	250	300			
9831	Without lever and counterweight	16													
9830															
9820	With lever and counterweight														

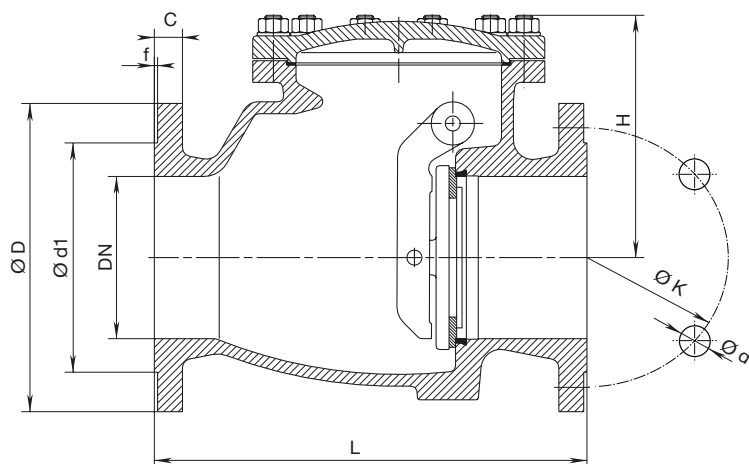
Check Valves

Without/with lever and counterweight, PN 10 | PN 16

No. 9831



No. 9830



No. 9820 with lever and counterweight (without illustration)

DN	MOP (PN)	L	H	$\varnothing D$	$\varnothing d1$	$\varnothing K$	$\varnothing d$	f	C	Bolts		Kv m ³ /h	Weight 9831/9830
										Qty.	$\varnothing d2$		
40	16	180	119	150	88	110	19	3	18	4	16	60	9,0
50		200	77	165	102	125	19	3	19	4	16	126	9,5
65		240	141	185	122	145	19	3	20	4	16	163	15,0
80		260	95	200	138	160	19	3	19	8	16	271	14,5
100		300	113	220	158	180	19	3	19	8	16	517	22,0
125		350	199	250	188	210	19	3	26	8	16	588	46,0
150		400	155	285	212	240	23	3	19	8	20	1028	45,0
200	10	500	187	340	268	295	23	3	20	8	20	1103	82,0
	16									12	20		
250	10	600	337	405	320	350	23	3	32	12	20	180,0	
	16					355				27	12		
300	10	700	374	460	378	400	23	4	32	12	20	270,0	
	16					410				27	12		