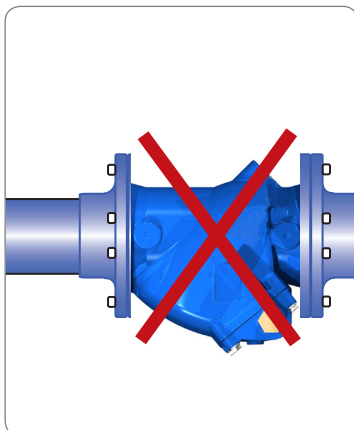
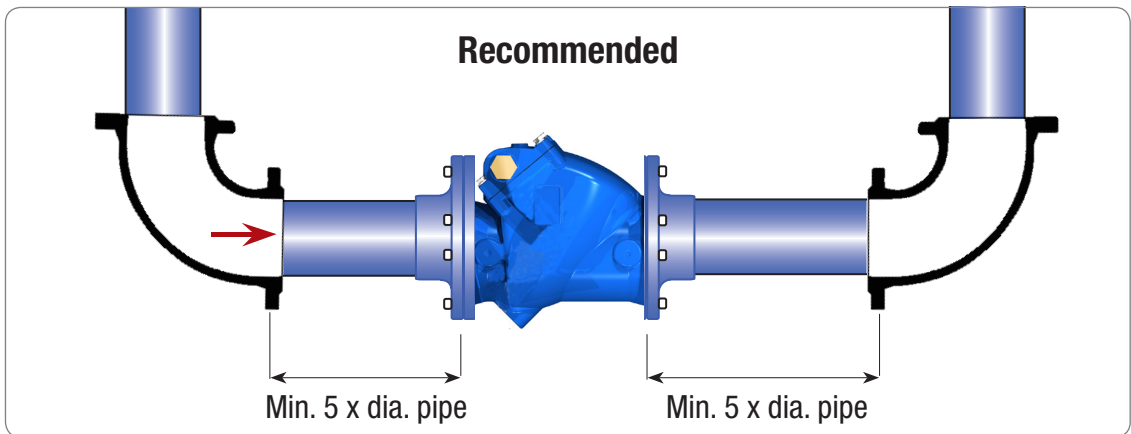
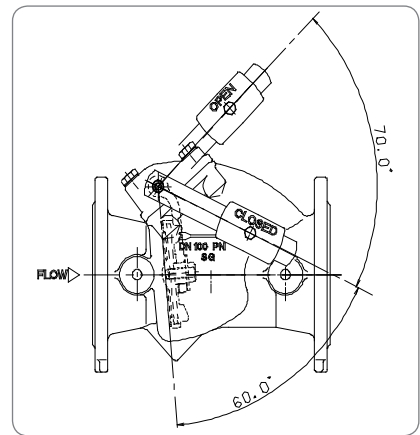
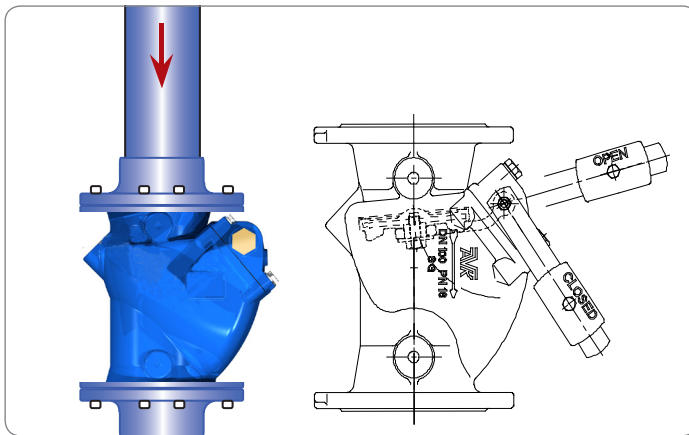
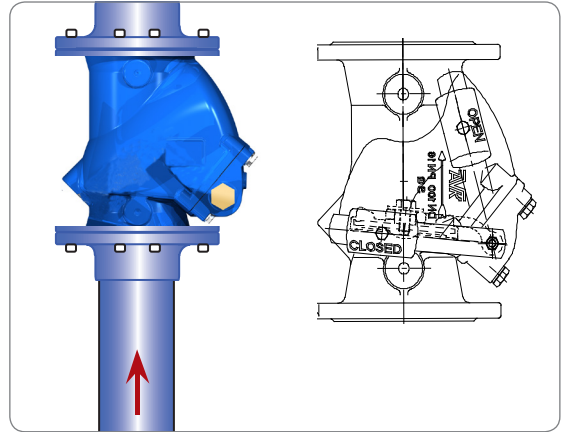
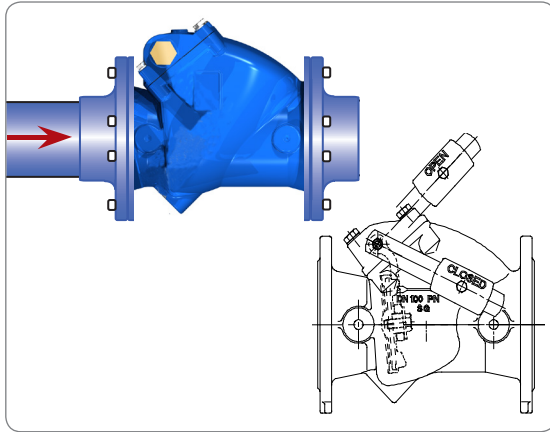




AVK SWING CHECK VALVE DN 50-300

SERIES 41

Mounting instruction / Montagevejledning
Einbauanleitung / Instruction de montage

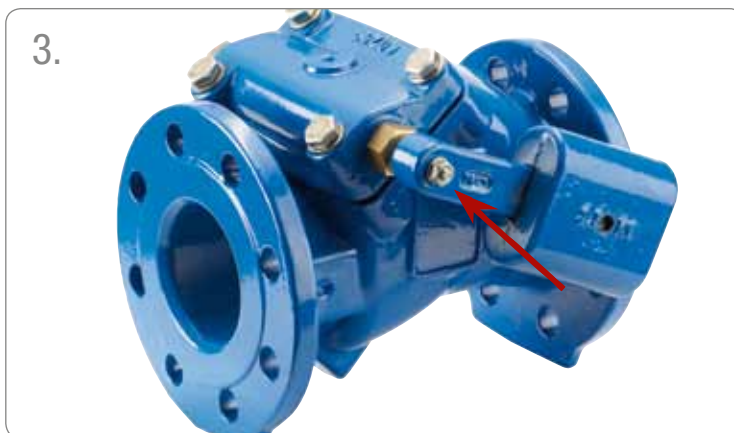




AVK SWING CHECK VALVE WITH LEVER AND WEIGHT

SERIES 41

Mounting instruction / Montagevejledning
Einbauanleitung / Instruction de montage





AVK SWING CHECK VALVE WITH ARM AND SPRING

SERIES 41

Mounting instruction / Montagevejledning
Einbauanleitung / Instruction de montage

