

BALL VALVE

FAF4000

40000



Features

- It has brass material, which is made of copper and zinc composite. It is manufactured by die forcing in moulds and by precision machining on CNC machines.
- FAF branded brass valves made of MS58 quality brass. It has high durability and impact resistance at low temperature. It can be used at water installations.
- The valves are suitable for line assembly in pipeline, the principal aim is to open and close flow in distribution systems.
- Recommended for open/close applications.
- It is recommended to wrap the valve body with wet rags or employ other heat absorbing techniques to avoid damaging valve seats and thread sealant.
- Tightening stem packing after soldering may be required.
- Leakproof stem.
- Stock piled for quick delivery.

Temperature

- -10, +110 °C

PRODUCTS MODEL CODES	
FAF4000	BALL VALVE
FAF4100	GAS BALL VALVE
FAF4200	BRASS Y-STRAINER
FAF4300	BRASS SPRING CHECK VALVE
FAF4350	BRASS SWING CHECK VALVE

PRODUCTION STANDARTS

DN15 → DN100
PN 16-25

Design	TSE CEN / TS 13547
Connection	Threaded EN ISO 228-1
Face to Face	TSE CEN / TS 13547
Marking	TSE CEN / TS 13547
Tests	TSE CEN / TS 13547

Product Description

FAF4000 Brass Ball Valve works parallel or vertical position to flow axis by rotating quarter tour (90 degrees) between teflon seats via a ball which is big as flow section through control shaft.

Scope of Application

- Hot & cold water
- Steam
- Lubricants
- Heating & cooling
- Housing & industrial applications
- Compressed air installations
- Liquid fuels
- Various gases (excluding flammable gases)

VALVE TEST PRESSURE (Bar)

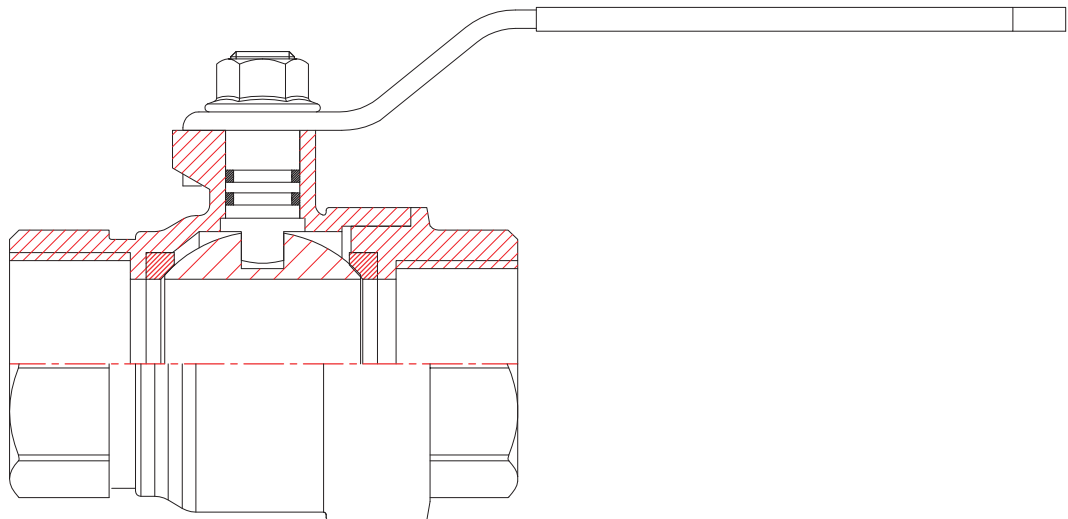
MAX. OPERATING PRESSURE	BODY / SHELL TEST	SEAT TEST
16	24	17,6
25	37,5	27,5

100% of the valves are subjected to hydrostatic tests at FAF facilities.

BALL VALVE

FAF4000

Technical Details & Drawing, Dimensions



MATERIAL SELECTION

Body	CuZn40Pb2 -Nickel Plated
Bonnet	CuZn40Pb2 - Nickel Plated
Lever	ST37 Steel + PVC Coated
Stem	CuZn39Pb3
Ball	CuZn40Pb2 - Chrome Plated
Seals	PTFE - Teflon
O-Ring	NBR
Nut	Galvanized Coated Steel

Pipe Thread	Nominal Dimension	d(mm)	L(mm)	B(mm)	C(mm)
1/2"	15	14	50	85	43
3/4"	20	17	57	85	47
1"	25	24	71	97	47
1 1/4"	32	30	75	111	60
1 1/2"	40	38	87	153	77
2"	50	50	105	153	85