

# X-steel ball valves, reduced bore

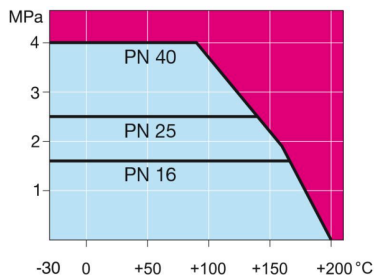
102X series, X-series, female threads / female threads, DN 10-50, reduced bore

Body	DN 10-50 Steel, P235GH (1.0345)
Ball	DN 10-50 Stainless steel, X5CrNi18-10 (1.4301)
Ball seal	DN 10-50 PTFE+C
Stem	DN 10-50 Stainless steel, X8CrNiS18-9 (1.4305)
Stem seal	DN 10-50 FPM
Operation	DN 10-50 with composite handle

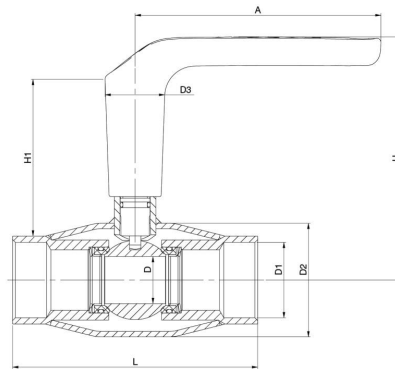


## Operation conditions

-20 ° – +200 °C  
 Below -20 °C contact manufacturer  
 Lowest allowed ambient temperature -40 °C  
 Leakage rate A (EN 12266-1)



DN 10-50



DN	PN	Product no.	A	D	D1	D2	D3	H	H1	L	kg
10	40	102010X	130	10	Rp 3/8	33.7	32.0	119	86	75	0.4
15	40	102015X	130	10	Rp 1/2	33.7	32.0	119	84	85	0.4
20	40	102020X	130	15	Rp 3/4	42.4	32.0	123	81	100	0.6
25	40	102025X	130	20	Rp 1	48.3	32.0	125	84	115	0.7
32	40	102032X	130	25	Rp 1 1/4	60.3	32.0	129	83	130	1.1
40	40	102040X	130	32	Rp 1 1/2	70.0	32.0	133	84	150	1.4
50	40	102050X	130	40	Rp 2	76.1	32.0	140	85	180	2.0