

VEXVE X SERIES



Vexve X insulation modules

Vexve X series' ready made insulation modules speed up the installation process and minimize heat loss.

Applications:

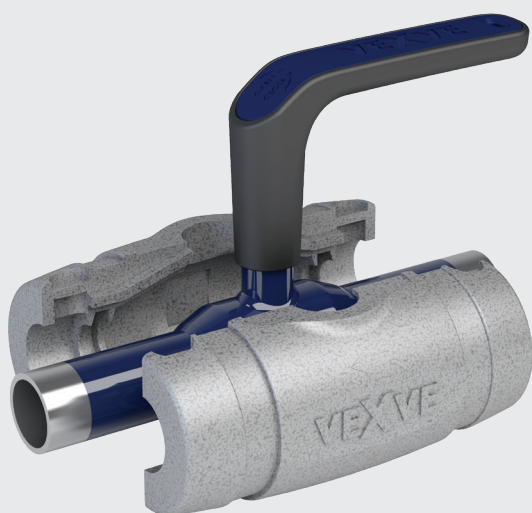
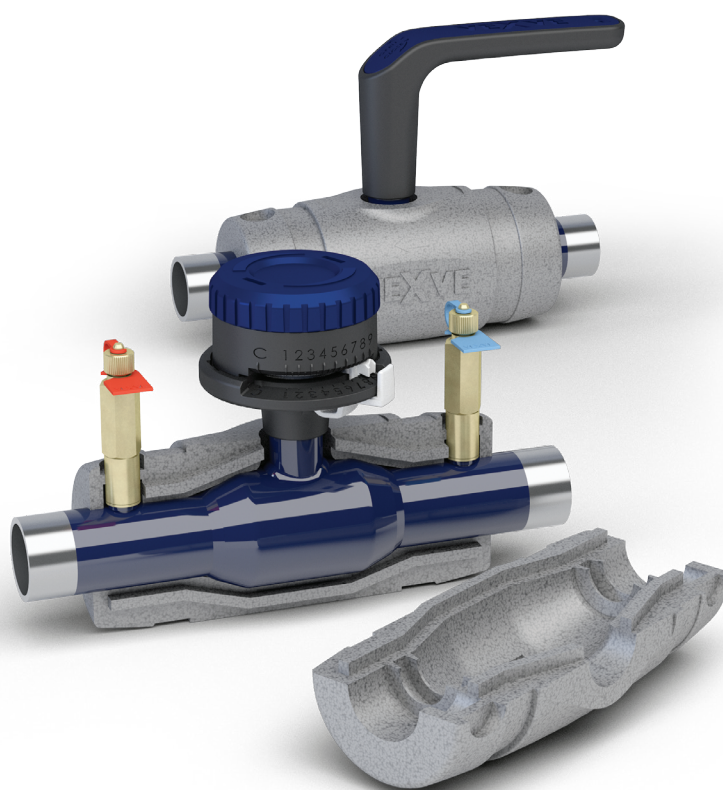
- District heating networks
- HVAC side of heating systems

Properties:

- Material EPS foam
 - Fireproofed
- Insulation's Lambda value 0,030 W/(m*K)
- Maximum operating temperature 100 °C

Available:

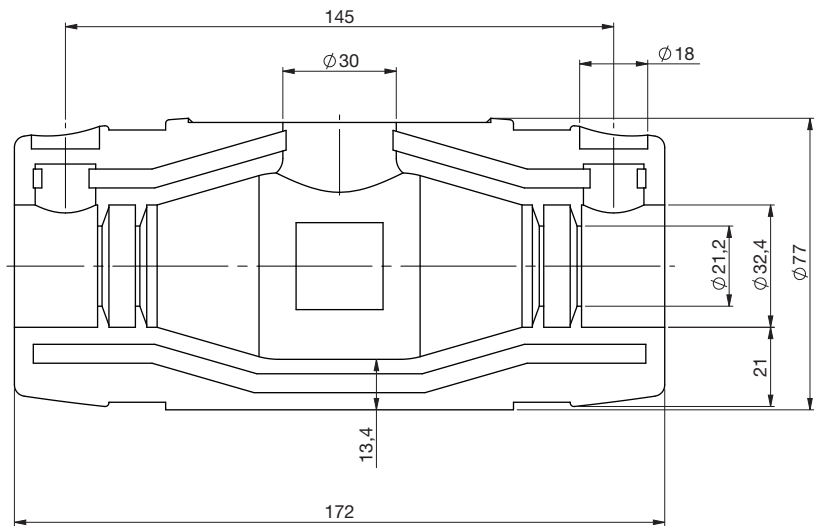
- Suitable for X-series' DN 10–50 shut-off and balancing valves
- Two sizes:
 - Small (DN 10–25)
 - Big (DN 32–50)



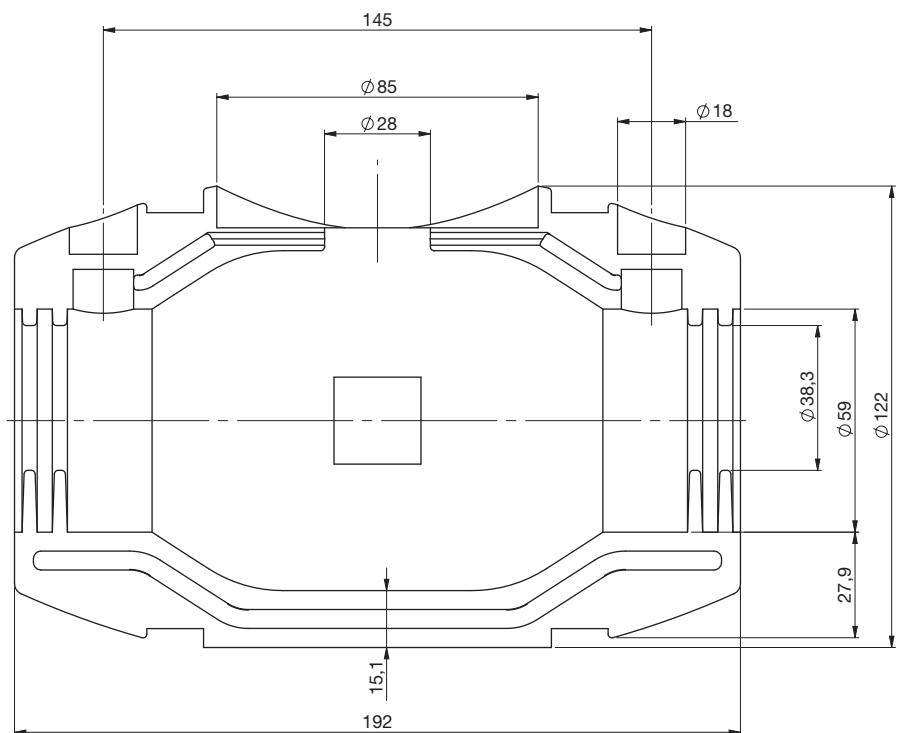
Installing the insulation module:

1. If you install the insulation module on the balancing valve, break the brackets from the insulation module where the measuring blocks will go.
2. Press the halves of the insulation module together, the internal brackets give way so that three different DN sizes fit the same insulation module.
3. Fasten the halves of the insulation module together, e.g. with a cable tie.

Insulation module measurements DN 10–25



Insulation module measurements DN 32–50



| Product number | Product |
|----------------|---|
| EPS15–25 | Vexve X insulation module, shut-off and balancing valves DN 15–25 |
| EPS32–50 | Vexve X insulation module, shut-off and balancing valves DN 32–50 |

VEXVE VEXVE
ARMATURY
GROUP

Vexve Oy

Pajakatu 11
38200 Sastamala
Finland

Riihenkalliontie 10
23800 Laitila
Finland

Tel. +358 10 734 0800
vexve.customer@vexve.com

www.vexve.com