

Steel ball valve - DN15-50, PN40

Type 94103 - Full bore

Flange × Flange

Fully welded steel ball valve.

Materials

See next page.

Applications

Isolating valve for heating systems, district heating, cooling and industrial purpose.

Media

Water, air and other media not decomposing the steel. Not suitable for steam. If in doubt, please contact BROEN BALLOMAX® Sales Department.

Surface treatment

Eco-friendly protection finish against corrosion.

Operation

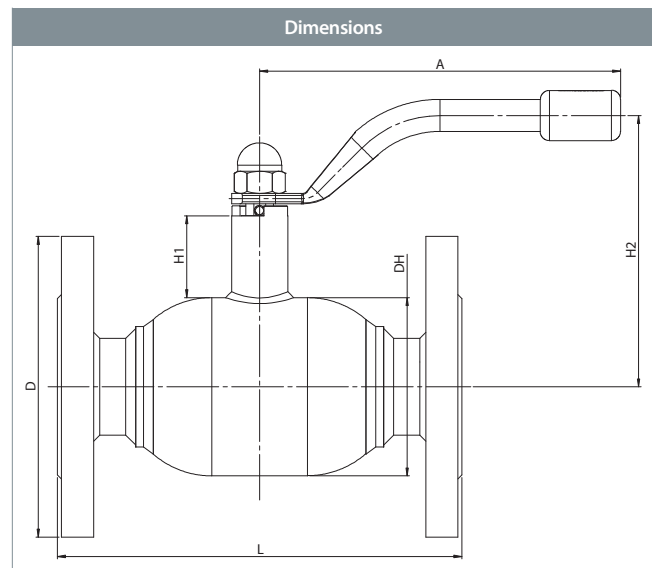
The standard handle is 180 degrees adjustable.

Approvals and certificates

BROEN is certified according to ISO 9001 and environmentally certified according to ISO 14001. BROEN BALLOMAX® is approved according to the requirements of Pressure Equipment Directive (PED). All ball valves as from DN40 are CE-marked. The 3.1 certificate is available upon request.

Notice

Other lengths and special flanges available on request.



DN	BROEN No.	Bore	Kvs	net Weight kg	All dimensions in mm					
					DH	D	L	H1	H2	A
15	9410340015 010	15	32	1.9	42	95	130	47	115	140
20	9410340020 010	20	57	2.7	51	105	150	47	120	140
25	9410340025 010	25	81	3.5	57	115	160	48	124	140
32	9410340032 010	32	133	5.5	76	140	180	41	127	180
40	9410340040 010	40	229	6.8	89	150	200	41	133	180
50	9410340050 010	50	295	9.3	108	165	230	66	145	275

Steel ball valve - DN15-50, PN40

Type 94103 - Full bore



Technical drawing		Material description	
	2	Flange	Steel - S235JRG2 / 1.0038 / EN 10025-2
	5	Valve body	Steel - P235GH / 1.0345 / EN 10217-2
	6	Ball	Stainless steel - AISI304L / 1.4306 / EN 10217-7
	7	Seat ring	PTFE 20% Carbon
	8	Back-up ring	Steel - DC01 / 1.0330 / EN 10130
	10	Neck ring	Steel - S355J2+N / 1.0570 / EN 10025-2
	11	Stem guide	Steel - S355J2+N / 1.0570 / EN 10025-2
	12	Stem	Stainless steel - ASTM420 / 1.4021 / EN 10088-3
	13	Stem washer	Stainless steel - AISI304 / 1.4301 / EN 10088-3
	14	Friction washer	PTFE 20% Carbon
	15	O-ring	Rubber - EPDM70
	16	Back-up ring	PTFE 20% Carbon
	17	O-ring	Rubber - FPM70
	18	Intermediate ring	Stainless steel - AISI303 / 1.4305 / EN 10088-3
19	Pin	Steel - hardenat	
20	Handle	Steel	
21	Cap nut	Steel - galvanized	
34	Middle bush	Steel - P235GH / 1.0345 / EN 10217-2	

Accessories	BROEN No.	Dimension	Description
	66050010 000 - yellow	DN20-25	T-handles in three different colors - yellow, blue and red. Factory fitted T-handle on request.
	66050010 003 - blue		
	66050010 004 - red		
	66050040 000 - yellow	DN32-40	
	66050040 003 - blue		
	66050040 004 - red		
	203245	DN20-25	ISO-flange.
	208245	DN32-40	
	167245	DN50	
	66160010 000	DN20-25	Hexagon for insertion key.
	66160040 000	DN32-40	
	66160065 000	DN50	

Special model: Minimum length - Flange x Flange - DN15-50:

DN	Standard length - mm	Minimum length - mm
15	130	On request
20	150	118
25	160	130
32	180	135
40	200	150
50	230	165

Steel ball valve - DN65-125, PN25

Type 94103 - Full bore

Flange × Flange

Fully welded steel ball valve.

Materials

See next page.

Applications

Isolating valve for heating systems, district heating, cooling and industrial purpose.

Media

Water, air and other media not decomposing the steel. Not suitable for steam. If in doubt, please contact BROEN BALLOMAX® Sales Department.

Surface treatment

Eco-friendly protection finish against corrosion.

Operation

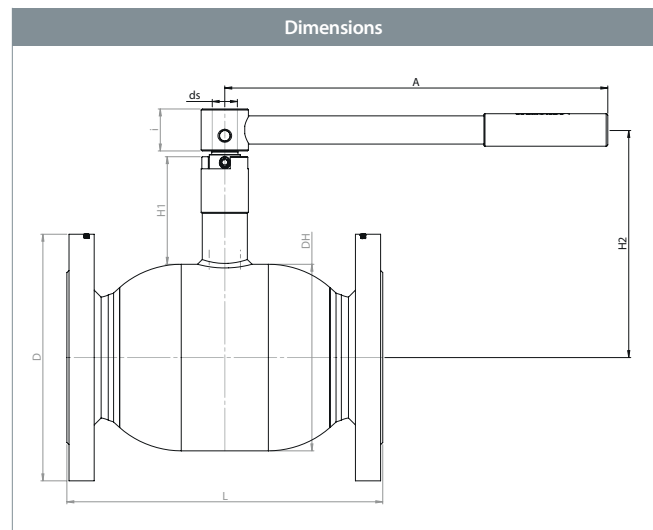
The standard handle is 180 degrees adjustable.

Approvals and certificates

BROEN is certified according to ISO 9001 and environmentally certified according to ISO 14001. BROEN BALLOMAX® is approved according to the requirements of Pressure Equipment Directive (PED). All ball valves as from DN40 are CE-marked. The 3.1 certificate is available upon request.

Notice

We recommend to add a BROEN-Gear for DN100-125. Other pressure levels, lengths and special flanges available on request.



DN	BROEN No.	Bore	Kvs	net Weight kg	All dimensions in mm									ISO
					DH	D	L	H1	H2	ds	i	A		
65	9410325065 010	65	498	13.2	127	185	290	66	155	18	31	275	-	
80	9410325080 010	80	754	18.6	152	200	280	81	192	24	40	365	-	
100	9410325100 010	100	1159	24.5	178	235	300	91	218	24	40	365	-	
125	9410325125 010	125	1841	40.5	219	270	325	90	248	30	55	650	F10	

Steel ball valve - DN65-125, PN25

Type 94103 - Full bore



Technical drawing		Material description	
	1	Welding	Steel - P235GH / 1.0345 / EN 10217-2
	2	Flange	Steel - S235JRG2 / 1.0038 / EN 10025-2
	5	Valve body	Steel - P235GH / 1.0345 / EN 10217-2
	6	Ball	Stainless steel - AISI304L / 1.4306 / EN 10217-7
	7	Seat ring	PTFE 20% Carbon
	8	Back-up ring	Steel - DC01 / 1.0330 / EN 10130
	9	Disc spring	Steel - C75S / 1.1248 / EN 10132-4
	11	Stem guide	Steel - S355J2+N / 1.0570 / EN 10025-2
	12	Stem	Stainless steel - ASTM420 / 1.4021 / EN 10088-3
	13	Stem washer	Stainless steel - AISI304 / 1.4301 / EN 10088-3
	14	Friction washer	PTFE 20% Carbon
	15	O-ring	Rubber - EPDM70
	17	O-ring	Rubber - FPM70
	18	Intermediate ring	Stainless steel - AISI303 / 1.4305 / EN 10088-3
	19	Pin	Steel - hardenat
	20	Handle	Steel
	22	Bearing	Steel - PTFE
	23	ISO-flange	Steel - S235JRG2 / 1.0038 / EN 10025-2
	24	Pin	Steel - hardenat
25	Friction gasket	PTFE 20% Carbon	
30	Circlip	Steel	

Accessories	BROEN No.	Dimension	Description
	600584	DN100	BROEN-Gear.
	600585	DN125	
	167245	DN65	ISO-flange.
	169245	DN80	
	66160065 000	DN65	Hexagon for insertion key.
	66164100 000	DN80	
	66161100 000	DN100	
	66161150 000	DN125	

Special model: Minimum length - Flange x Flange - DN65-125:

DN	Standard length - mm	Minimum length - mm
65	270	206
80	280	224
100	300	244
125	325	272

Steel ball valve - DN125-150, PN25

Type 91103 - Full bore

Flange × Flange with ISO-flange

Fully welded steel ball valve.

Materials

See next page.

Applications

Isolating valve for heating systems, district heating, cooling and industrial purpose.

Media

Water, air and other media not decomposing the steel. Not suitable for steam. If in doubt, please contact BROEN BALLOMAX® Sales Department.

Surface treatment

Eco-friendly protection finish against corrosion.

Operation

The standard handle is 180 degrees adjustable.

The following operating devices are available on request:

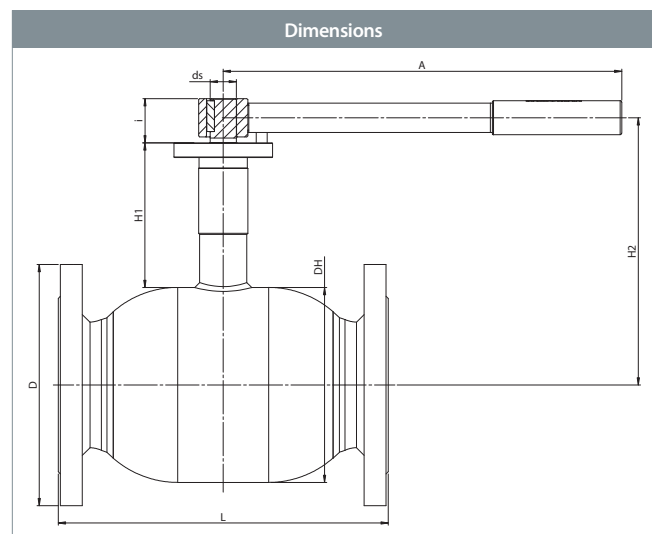
- BROEN-Gear.
- Electric actuator.

Approvals and certificates

BROEN is certified according to ISO 9001 and environmentally certified according to ISO 14001. BROEN BALLOMAX® is approved according to the requirements of Pressure Equipment Directive (PED). All ball valves as from DN40 are CE-marked. The 3.1 certificate is available upon request.

Notice

The DN150 is delivered with an ISO-flange, but without handle. We recommend to add a BROEN-Gear. Other pressure levels, lengths and special flanges available on request.



DN	BROEN No.	Bore	Kvs	net Weight kg	All dimensions in mm								
					DH	D	L	H1	H2	ds	i	A	ISO
125	9110325125 010	125	1841	38.0	219	270	325	136	272	30	50	650	F10
150	9110325150 010	150	2652	47.7	267	300	350	156	321	30	60	-	F12

Steel ball valve - DN125-150, PN25

Type 91103 - Full bore



Technical drawing		Material description	
	2	Flange	Steel - S235JRG2 / 1.0038 / EN 10025-2
	5	Valve body	Steel - P235GH / 1.0345 / EN 10217-2
	6	Ball	Stainless steel - AISI304L / 1.4306 / EN 10217-7
	7	Seat ring	PTFE 20% Carbon
	8	Back-up ring	Steel - DC01 / 1.0330 / EN 10130
	9	Disc spring	Steel - C75S / 1.1248 / EN 10132-4
	11	Stem guide	Steel - S355J2+N / 1.0570 / EN 10025-2
	12	Stem	Stainless steel - ASTM420 / 1.4021 / EN 10088-3
	13	Stem washer	Stainless steel - AISI304 / 1.4301 / EN 10088-3
	14	Friction washer	PTFE 20% Carbon
	15	O-ring	Rubber - EPDM70
	17	O-ring	Rubber - FPM70
	18	Intermediate ring	Stainless steel - AISI303 / 1.4305 / EN 10088-3
	19	Pin	Steel - hardenat
	20	Handle	Steel
22	Bearing	Steel - PTFE	
23	ISO-flange	Steel - S235JRG2 / 1.0038 / EN 10025-2	
25	Friction gasket	PTFE 20% Carbon	
30	Circlip	Steel	

Accessories	BROEN No.	Dimension	Description
	600585	DN125	BROEN-Gear.
	600586	DN150	
	66161150 000	DN125	Hexagon for insertion key.

Special model: Minimum length - Flange x Flange - DN125-150:

DN	Standard length - mm	Minimum length - mm
125	325	272
150	350	300

Steel ball valve - DN100-150, PN25

Type 91103 - Full bore

Flange × Flange with ISO-flange and BROEN-Gear

Fully welded steel ball valve.

Materials

See next page.

Applications

Isolating valve for heating systems, district heating, cooling and industrial purpose.

Media

Water, air and other media not decomposing the steel. Not suitable for steam. If in doubt, please contact BROEN BALLOMAX® Sales Department.

Surface treatment

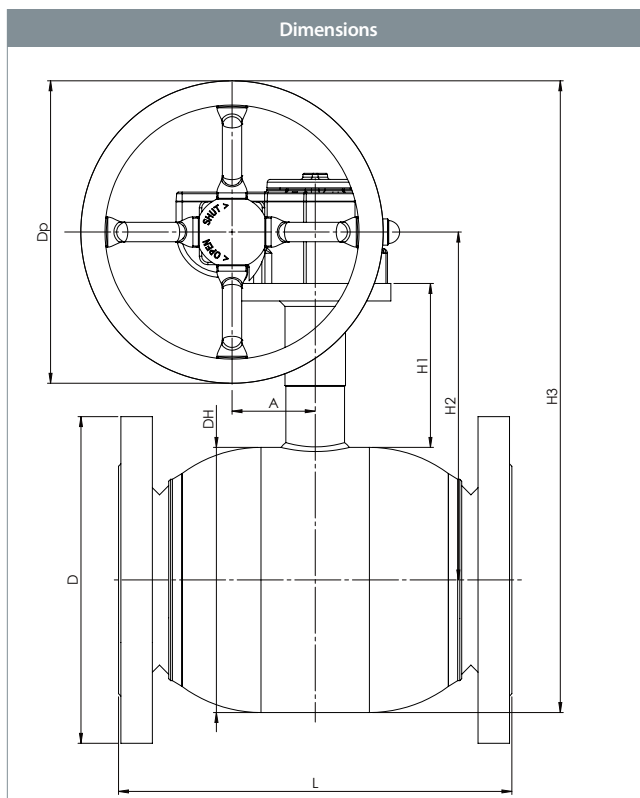
Eco-friendly protection finish against corrosion.

Approvals and certificates

BROEN is certified according to ISO 9001 and environmentally certified according to ISO 14001. BROEN BALLOMAX® is approved according to the requirements of Pressure Equipment Directive (PED). All ball valves as from DN40 are CE-marked. The 3.1 certificate is available upon request.

Notice

Other pressure levels, lengths and special flanges available on request.



DN	BROEN No.	Bore	Kvs	net Weight kg	All dimensions in mm							
					DH	D	L	H1	H2	H3	Dp	A
100	9110325100 480	100	1159	29.4	178	235	300	132	255	335	160	52
125	9110325125 480	125	1841	45.6	219	270	325	136	272	522	250	69
150	9110325150 480	150	2652	56.3	267	300	350	156	321	590	250	69

Steel ball valve - DN100-150, PN25



Type 91103 - Full bore

Technical drawing		Material description	
	1	Welding	Steel - P235GH / 1.0345 / EN 10217-2
	2	Flange	Steel - S235JRG2 / 1.0038 / EN 10025-2
	5	Valve body	Steel - P235GH / 1.0345 / EN 10217-2
	6	Ball	Stainless steel - AISI304L / 1.4306 / EN 10217-7
	7	Seat ring	PTFE 20% Carbon
	8	Back-up ring	Steel - DC01 / 1.0330 / EN 10130
	9	Disc spring	Steel - C75S / 1.1248 / EN 10132-4
	11	Stem guide	Steel - S355J2+N / 1.0570 / EN 10025-2
	12	Stem	Stainless steel - ASTM420 / 1.4021 / EN 10088-3
	14	Friction washer	PTFE 20% Carbon
	15	O-ring	Rubber - EPDM70
	16	Back-up ring	PTFE 20% Carbon
	17	O-ring	Rubber - FPM70
	18	Intermediate ring	Stainless steel - AISI303 / 1.4305 / EN 10088-3
22	Bearing	Steel - PTFE	
23	ISO-flange	Steel - S235JRG2 / 1.0038 / EN 10025-2	
47	Gear	-	

Special model: Minimum length - Flange x Flange - DN100-150:

DN	Standard length - mm	Minimum length - mm
100	-	-
125	325	272
150	350	300

Steel ball valve - DN65-125, PN16

Type 94103 - Full bore

Flange × Flange

Fully welded steel ball valve.

Materials

See next page.

Applications

Isolating valve for heating systems, district heating, cooling and industrial purpose.

Media

Water, air and other media not decomposing the steel. Not suitable for steam. If in doubt, please contact BROEN BALLOMAX® Sales Department.

Surface treatment

Eco-friendly protection finish against corrosion.

Operation

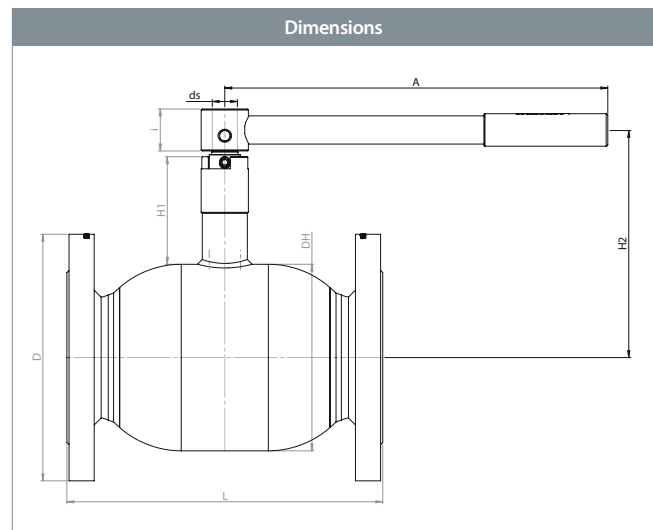
The standard handle is 180 degrees adjustable.

Approvals and certificates

BROEN is certified according to ISO 9001 and environmentally certified according to ISO 14001. BROEN BALLOMAX® is approved according to the requirements of Pressure Equipment Directive (PED). All ball valves as from DN40 are CE-marked. The 3.1 certificate is available upon request.

Notice

Other pressure levels, lengths and special flanges available on request. We recommend to add a BROEN-Gear for DN100-125.



DN	BROEN No.	Bore	Kvs	net Weight kg	All dimensions in mm								
					DH	D	L	H1	H2	ds	i	A	ISO
65	9410316065 010	65	498	13.2	127	185	290	66	155	18	31	275	-
80	9410316080 010	80	754	18.6	152	200	280	81	192	24	40	365	-
100	9410316100 010	100	1159	21.4	178	220	300	91	218	24	40	365	-
125	9410316125 010	125	1841	35.0	219	250	325	90	248	30	55	650	-

Steel ball valve - DN65-125, PN16

Type 94103 - Full bore



Technical drawing		Material description	
	1	Welding	Steel - P235GH / 1.0345 / EN 10217-2
	2	Flange	Steel - S235JRG2 / 1.0038 / EN 10025-2
	5	Valve body	Steel - P235GH / 1.0345 / EN 10217-2
	6	Ball	Stainless steel - AISI304L / 1.4306 / EN 10217-7
	7	Seat ring	PTFE 20% Carbon
	8	Back-up ring	Steel - DC01 / 1.0330 / EN 10130
	9	Disc spring	Steel - C75S / 1.1248 / EN 10132-4
	11	Stem guide	Steel - S355J2+N / 1.0570 / EN 10025-2
	12	Stem	Stainless steel - ASTM420 / 1.4021 / EN 10088-3
	13	Stem washer	Stainless steel - AISI304 / 1.4301 / EN 10088-3
	14	Friction washer	PTFE 20% Carbon
	15	O-ring	Rubber - EPDM70
	17	O-ring	Rubber - FPM70
	18	Intermediate ring	Stainless steel - AISI303 / 1.4305 / EN 10088-3
	19	Pin	Steel - hardenat
20	Handle	Steel	
22	Bearing	Steel - PTFE	
23	ISO-flange	Steel - S235JRG2 / 1.0038 / EN 10025-2	
24	Pin	Steel - hardenat	
25	Friction gasket	PTFE 20% Carbon	
30	Circlip	Steel	

Accessories	BROEN No.	Dimension	Description
	600584	DN100	BROEN-Gear.
	600585	DN125	
	167245	DN65	ISO-flange.
	169245	DN80	
	66160065 000	DN65	Hexagon for insertion key.
	66164100 000	DN80	
	66161100 000	DN100	
	66161150 000	DN125	

Special model: Minimum length - Flange x Flange - DN65-125:

DN	Standard length - mm	Minimum length - mm
65	270	206
80	280	224
100	300	244
125	325	272

Steel ball valve - DN125-150, PN16

Type 91103 - Full bore

Flange × Flange with ISO-flange

Fully welded steel ball valve.

Materials

See next page.

Applications

Isolating valve for heating systems, district heating, cooling and industrial purpose.

Media

Water, air and other media not decomposing the steel. Not suitable for steam. If in doubt, please contact BROEN BALLOMAX® Sales Department.

Surface treatment

Eco-friendly protection finish against corrosion.

Operation

The standard handle is 180 degrees adjustable.

The following operating devices are available on request:

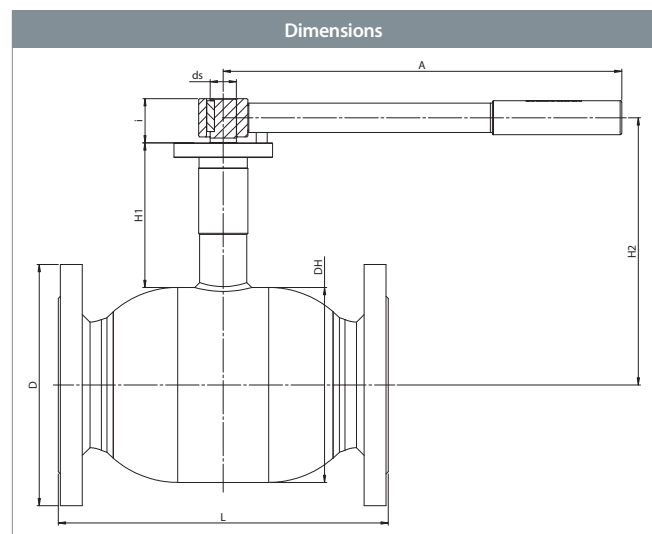
- BROEN-Gear.
- Electric actuator.

Approvals and certificates

BROEN is certified according to ISO 9001 and environmentally certified according to ISO 14001. BROEN BALLOMAX® is approved according to the requirements of Pressure Equipment Directive (PED). All ball valves as from DN40 are CE-marked. The 3.1 certificate is available upon request.

Notice

The DN150 is delivered with an ISO-flange, but without handle. We recommend to add a BROEN-Gear. Other pressure levels, lengths and special flanges available on request.



DN	BROEN No.	Bore	Kvs	net Weight kg	All dimensions in mm								
					DH	D	L	H1	H2	ds	i	A	ISO
125	9110316125 010	125	1841	34.6	219	250	325	136	272	30	50	650	F10
150	9110316150 010	150	2652	41.4	267	285	350	156	321	30	60	900	F12

Steel ball valve - DN125-150, PN16

Type 91103 - Full bore



Technical drawing		Material description	
	2	Flange	Steel - S235JRG2 / 1.0038 / EN 10025-2
	5	Valve body	Steel - P235GH / 1.0345 / EN 10217-2
	6	Ball	Stainless steel - AISI304L / 1.4306 / EN 10217-7
	7	Seat ring	PTFE 20% Carbon
	8	Back-up ring	Steel - DC01 / 1.0330 / EN 10130
	9	Disc spring	Steel - C75S / 1.1248 / EN 10132-4
	11	Stem guide	Steel - S355J2+N / 1.0570 / EN 10025-2
	12	Stem	Stainless steel - ASTM420 / 1.4021 / EN 10088-3
	13	Stem washer	Stainless steel - AISI304 / 1.4301 / EN 10088-3
	14	Friction washer	PTFE 20% Carbon
	15	O-ring	Rubber - EPDM70
	17	O-ring	Rubber - FPM70
	18	Intermediate ring	Stainless steel - AISI303 / 1.4305 / EN 10088-3
	19	Pin	Steel - hardenat
	20	Handle	Steel
22	Bearing	Steel - PTFE	
23	ISO-flange	Steel - S235JRG2 / 1.0038 / EN 10025-2	
25	Friction gasket	PTFE 20% Carbon	
30	Circlip	Steel	

Accessories	BROEN No.	Dimension	Description
	600585	DN125	BROEN-Gear.
	600586	DN150	
	66161150 000	DN125	Hexagon for insertion key.

Special model: Minimum length - Flange x Flange - DN125-150:

DN	Standard length - mm	Minimum length - mm
125	325	272
150	350	300

Steel ball valve - DN125-150, PN16

Type 91103 - Full bore

Flange × Flange with ISO-flange and BROEN-Gear

Fully welded steel ball valve.

Materials

See next page.

Applications

Isolating valve for heating systems, district heating, cooling and industrial purpose.

Media

Water, air and other media not decomposing the steel. Not suitable for steam. If in doubt, please contact BROEN BALLOMAX® Sales Department.

Surface treatment

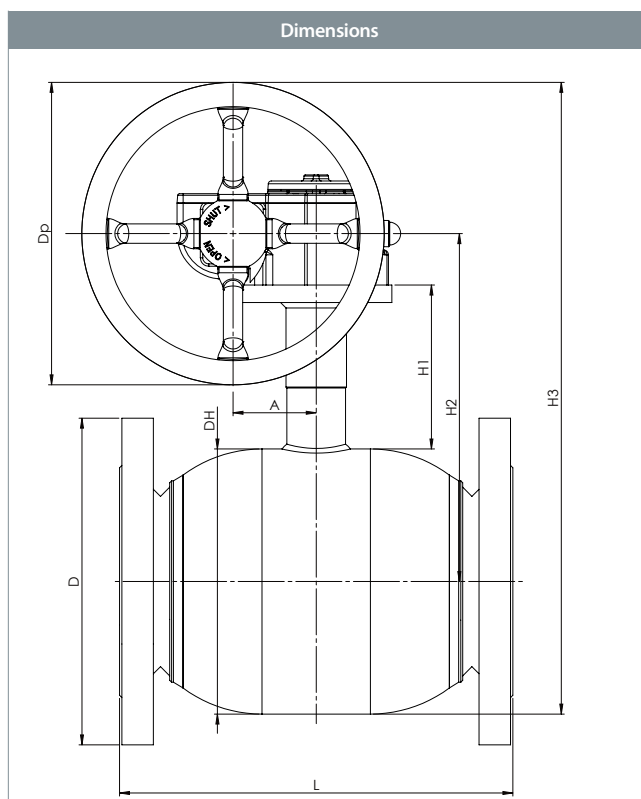
Eco-friendly protection finish against corrosion.

Approvals and certificates

BROEN is certified according to ISO 9001 and environmentally certified according to ISO 14001. BROEN BALLOMAX® is approved according to the requirements of Pressure Equipment Directive (PED). All ball valves as from DN40 are CE-marked. The 3.1 certificate is available upon request.

Notice

Other pressure levels, lengths and special flanges available on request.



					All dimensions in mm							
DN	BROEN No.	Bore	Kvs	net Weight kg	DH	D	L	H1	H2	H3	Dp	A
125	9110316125 480	125	1841	43.2	219	250	325	136	272	522	250	69
150	9110316150 480	150	2652	50.0	267	285	350	156	321	590	250	69

Steel ball valve - DN125-150, PN16



Type 91103 - Full bore

Technical drawing		Material description	
	1	Welding	Steel - P235GH / 1.0345 / EN 10217-2
	2	Flange	Steel - S235JRG2 / 1.0038 / EN 10025-2
	5	Valve body	Steel - P235GH / 1.0345 / EN 10217-2
	6	Ball	Stainless steel - AISI304L / 1.4306 / EN 10217-7
	7	Seat ring	PTFE 20% Carbon
	8	Back-up ring	Steel - DC01 / 1.0330 / EN 10130
	9	Disc spring	Steel - C75S / 1.1248 / EN 10132-4
	11	Stem guide	Steel - S355J2 / 1.0570 / EN 10025-2
	12	Stem	Stainless steel / 1.4021 / EN 10088-3
	14	Friction washer	PTFE 20% Carbon
	15	O-ring	Rubber - EPDM70
	16	Back-up ring	PTFE 20% Carbon
	17	O-ring	Rubber - FPM70
	18	Intermediate ring	Stainless steel - AISI303 / 1.4305 / EN 10088-3
22	Bearing	Steel - PTFE	
23	ISO-flange	Steel - S235JRG2 / 1.0038 / EN 10025-2	
47	Gear	-	

Special model: Minimum length - Flange x Flange - DN125-150:

DN	Standard length - mm	Minimum length - mm
125	325	272
150	350	300

Handle, BBM Full Flow valves - DN10-50

Type 90... - Full bore

With red, blue and yellow clips



DN	BROEN No.	L - mm
10-20	9015500002	75
25-32	9032500002	100
40-50	9040500001	120

T-handle, BBM Full Flow valves - DN10-50

Type 90... - Full bore

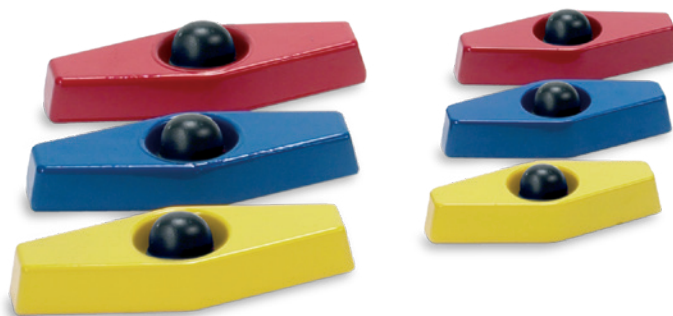
With red, blue and yellow clips



DN	BROEN No.	L - mm
10-50	9015550022	75

T-handle - DN15-40

Type 66050 - Full bore



DN	BROEN No.	Color	L - mm	B - mm
15-25	66050010 000	Yellow	85	34
15-25	66050010 003	Blue	85	34
15-25	66050010 004	Red	85	34
32-40	66050040 000	Yellow	120	44
32-40	66050040 003	Blue	120	44
32-40	66050040 004	Red	120	44

Handle - DN15-150

Type 66060 / 66064 / 66061 - Full bore



DN	BROEN No.	L - mm
15-25	66060010	140
32-40	66060040	180
50-65	66060065	275
80	66064100	365
100	66061100	365
125	66061150	650
150	66061200	900

ISO-flanges, mounting kit - DN15-80

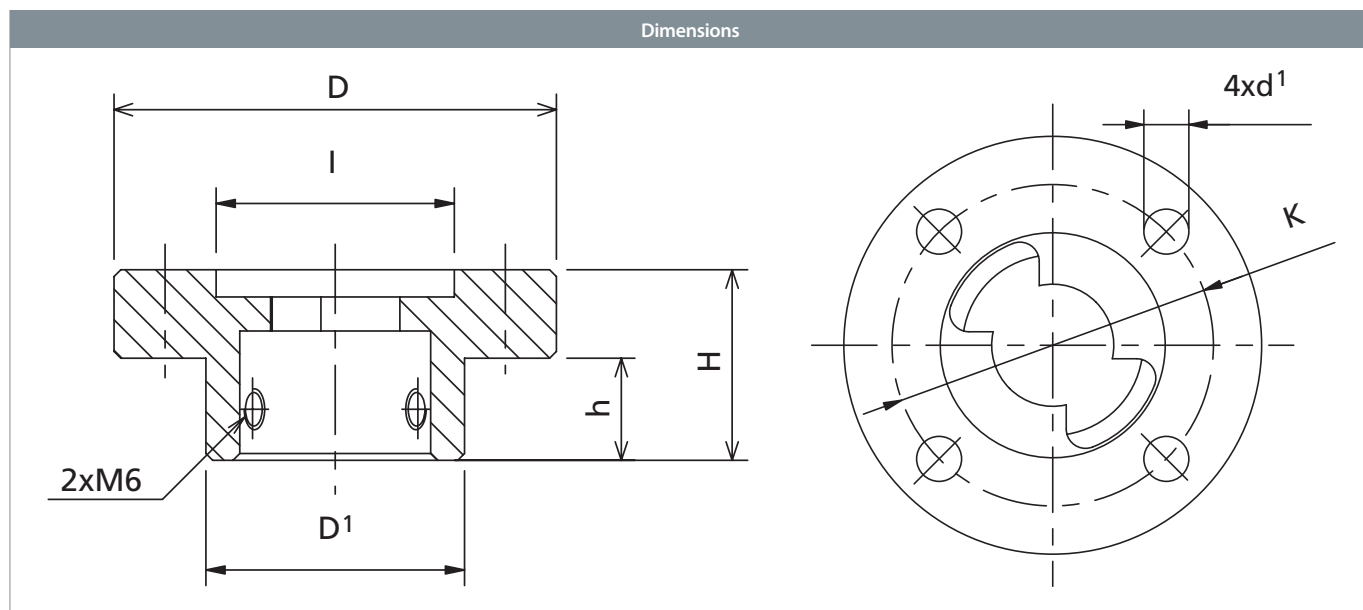
Type 203... / 208... / 167... / 169... - Full bore

ISO-flanges, mounting kit

Mounting flange for later mounting of gear / actuator.
No mounting facing downwards.



Dimensions



DN	BROEN No.	ISO-flange	All dimensions in mm						
			D	D'	H	h	I	K	d'
15-25	203245	F05	65	34	28	15	35	50	7
32-40	208245	F05	65	38	28	15	35	50	7
50-65	167245	F05	65	47	33	20	35	50	7
80	169245	F07	90	57	35	20	55	70	9

Hexagon for insertion key - DN15-125

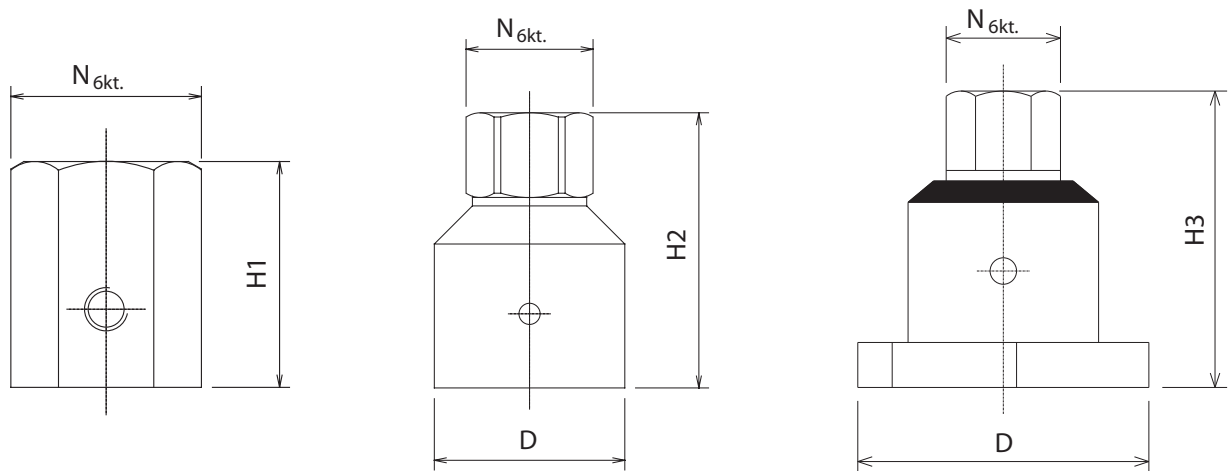
Type 66160 / 66164 / 66161 - Full bore

Hexagon for insertions key

To make thread end of spindle to hexagon.



Dimensions



DN	BROEN No.	All dimensions in mm				
		D	H1	H2	H3	N hex.
15-25	66160010 000	-	26	-	-	19
32-40	66160040 000	-	26	-	-	19
50-65	66160065 000	28	-	52	-	19
80	66164100 000	45	-	65	-	27
100	66161100 000	80	-	-	75	27
125	66161150 000	112	-	-	85	27

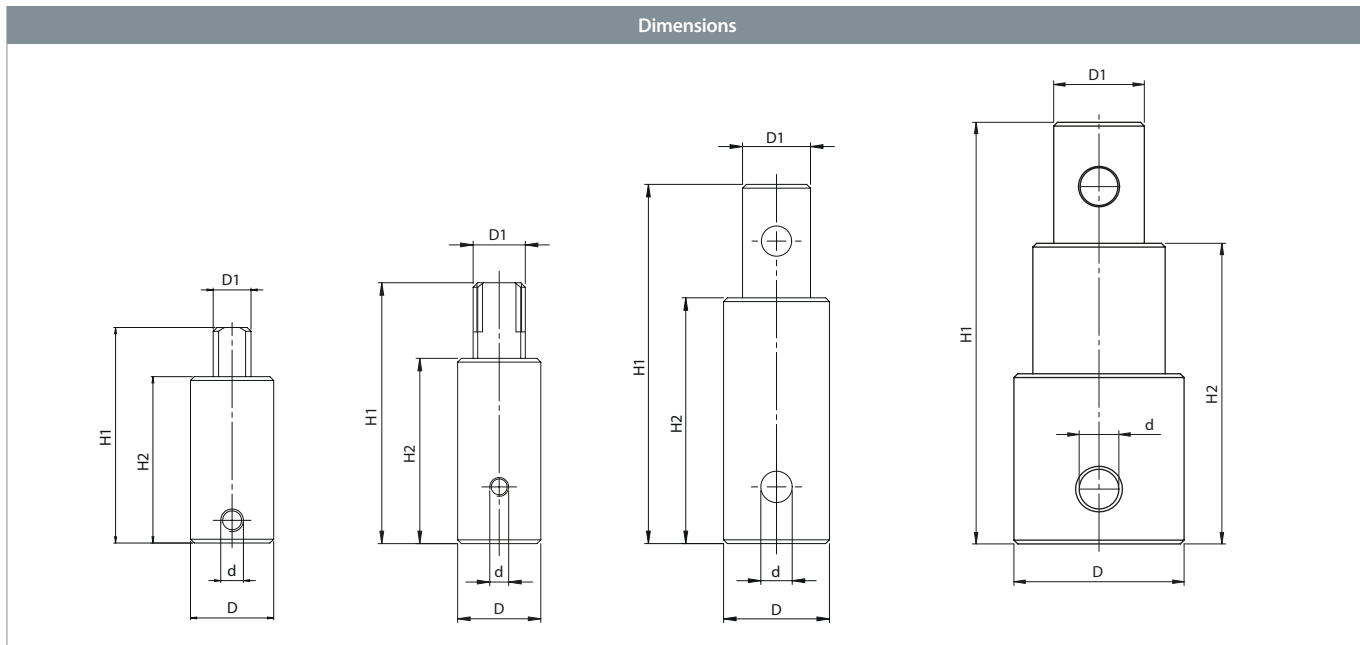
Spindle extension - DN15-100

Type 084... / 251... - Full bore

Spindle extension for type 94 valves



Dimensions



DN	BROEN No.	All dimensions in mm				
		D	H1	H2	d	D1
15-25	084600	22	57.0	44.0	-	10
32-40	084500	22	69.0	49.0	-	14
50-65	084800	28	95.0	65.0	8.3	18
80-100	251300	45	111.5	79.5	10.5	24

BROEN BALLOMAX® Repair set - DN10-500

Type 600... - Full bore



DN	BROEN No.	Type
10-32	600040	60-61-64
40-50	600041	60-61-64
65-80	600042	60-64
65-80	600043	61
100	600044	60-64
100	600045	61
125	600046	64
150	600048	64
150-200	600049	61
250	600050	40
300-350	600051	40
400	600052	40
450-500	600053	40
250	600568	85
300-350	600600	85
400	600601	85
500	600602	85

Repair set include tools and 5 gaskets for repair - not suitable for BROEN BALLOMAX® Full Flow valves (Type BBM).

BROEN-Gear - DN100-400

Type 600... - Full bore

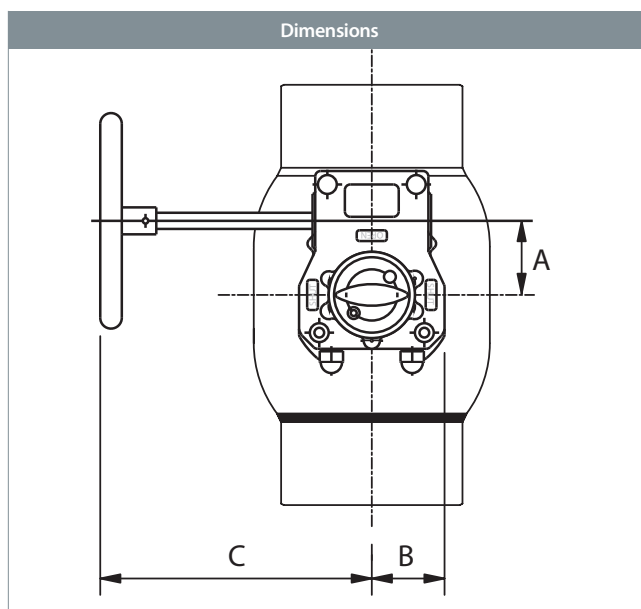
BROEN-Gear

Hand-operated gearbox.

BROEN-Gear is a strong high quality hand-operated gearbox. The hand wheel is ergonomically designed.

Operating torque

Operating torque of handwheel (Nm) - see below table.

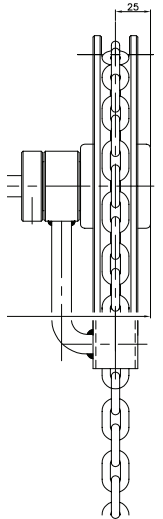


DN	BROEN nr.	Nettovægt - kg*	All dimensions in mm				
			A	B	C	Nm	Hand wheel
100	600584	2,5	41,3	40,0	145	300	200
125	600585	7,8	68,8	67,5	240	1200	300
150	600586	8,6	68,8	67,5	245	1200	350
200	600587	9,5	68,8	67,5	275	1200	450
250	600588	26,0	104,5	110,0	346	3250	500
300	600589	42,0	130,0	142,5	387	7000	350
400	600590	67,9	182,0	185,0	470	17000	450

* Weight gearbox with hand wheel.

BROEN-Gear with chain - DN40-300

Type CW... - Full bore



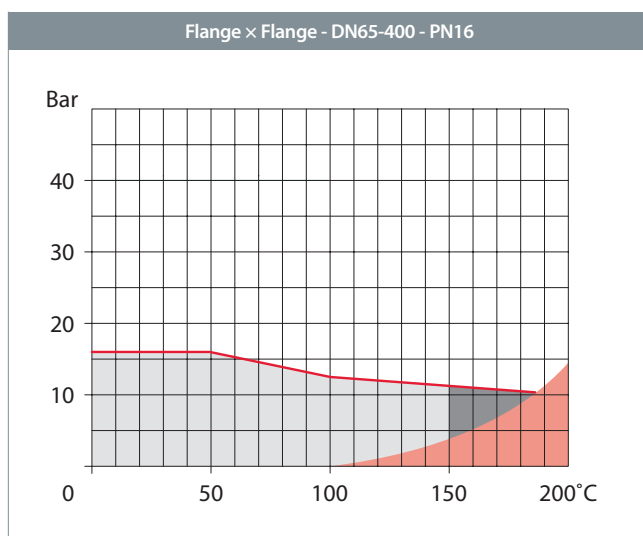
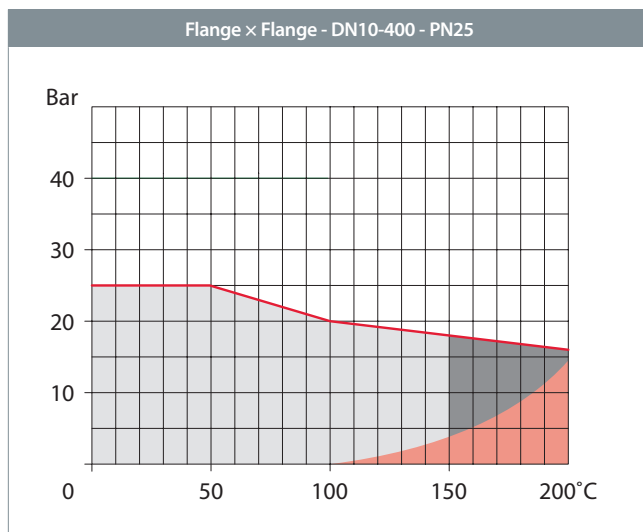
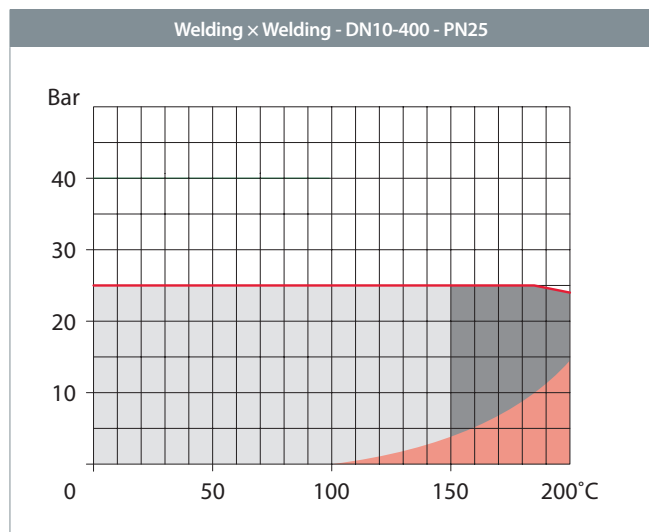
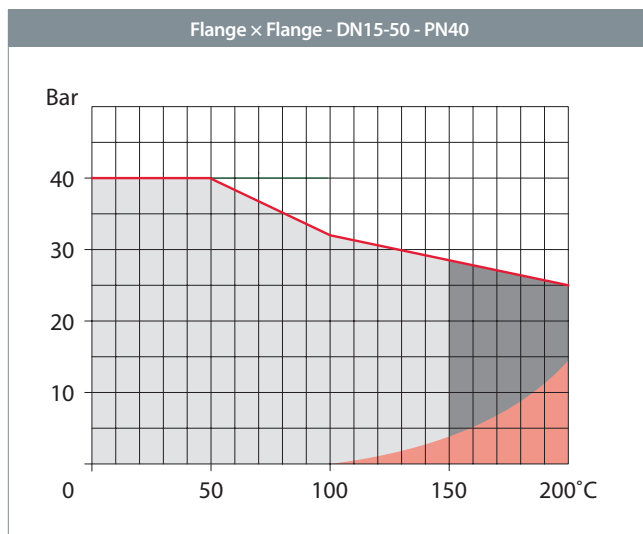
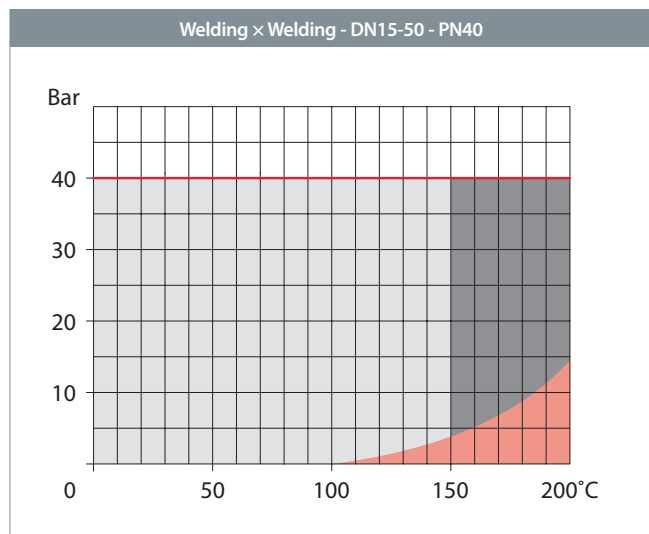
	Size	BROEN No.
	Ø15	CW 135
	Ø20	CW 215
	Ø25	CW 335
Accessory:		
Gear chain	1 meter - ZP chain (+ Splitlink)	
Gear chain	1 meter - SS chain (+ Splitlink)	

BROEN manual gear, mounting and adjustment are customers responsibility. Possible to operate with chain, for gear mounted high above ground. Galvanized chain, price per meter.

NOTICE: The length is the total length, not the height above ground of the gear.

Pressure and temperature graph - DN15-400 - PN40/25/16

Full bore



- Normal working area
- Short-term working area
- Steam area
(see high temperature valves - section 8)

Pressure drop graph - DN15-400

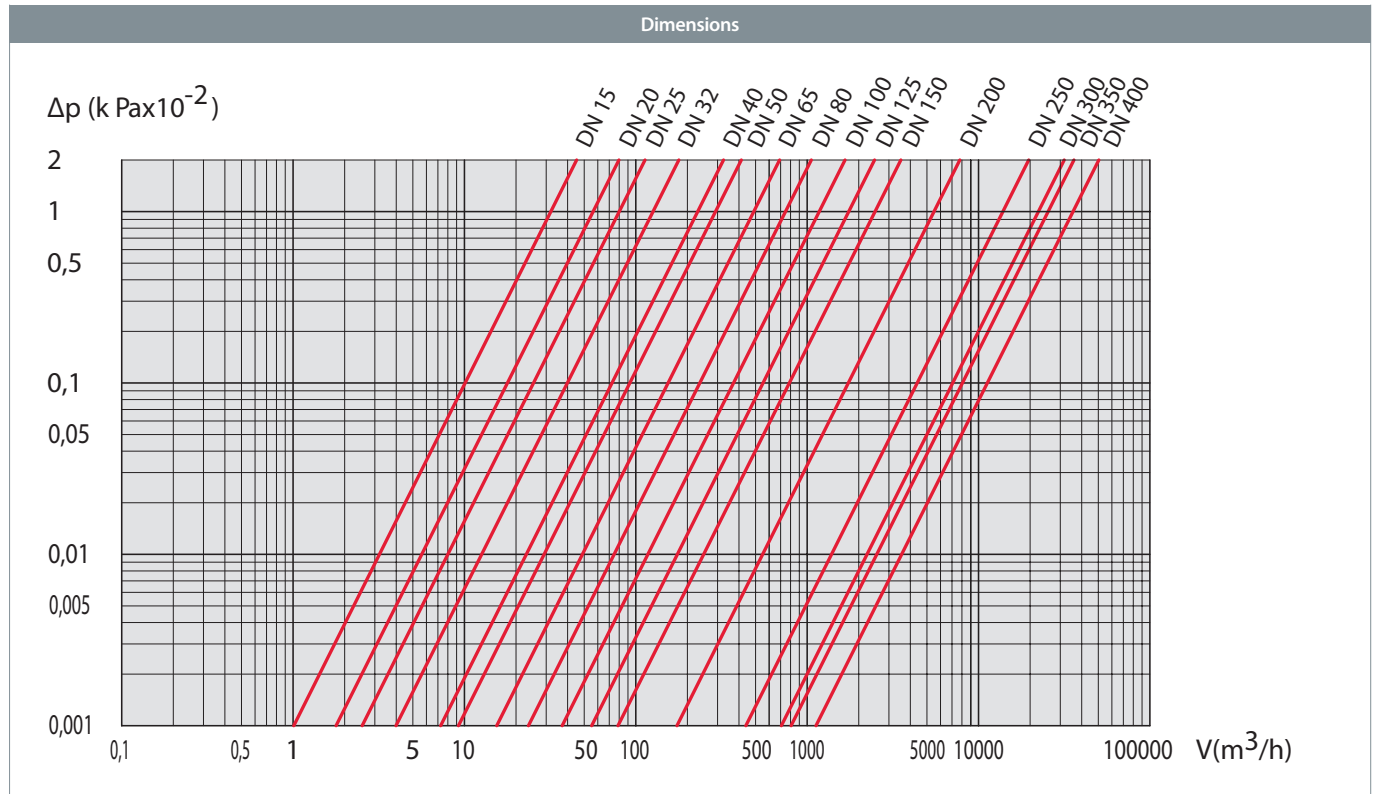
Full bore

Pressure drop graph

Ball valve in fully open position.
Medium: water density in 1000 kg/m³

Definitions

Kvs: M³ water per hour at pressure drop 1 bar.



DN	15	20	25	32	40	50	65	80	100	125	150	200	250	300	400
Kvs	32	57	81	133	229	295	498	754	1159	1841	2652	9200	13500	21600	35000

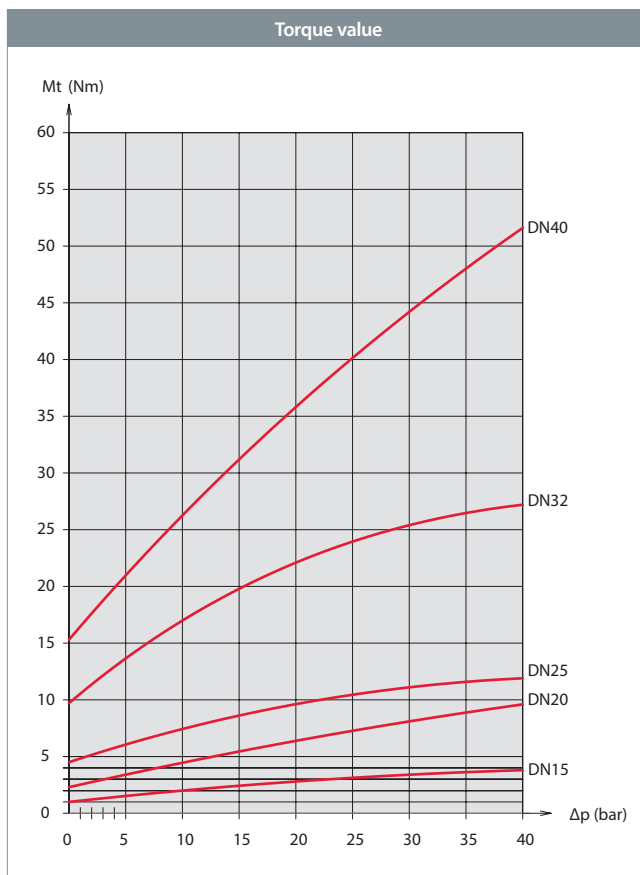
Operating torque - DN15-40, PN40

Full bore

Operating torque

The torque stated is for guidance only; it has been obtained by measuring on new ball valves. The torque is to be understood as the pull-off torque applicable for a closed, but recently activated ball valve.

The value stated may rise to a factor of 1.5 after a long period of inactivity.



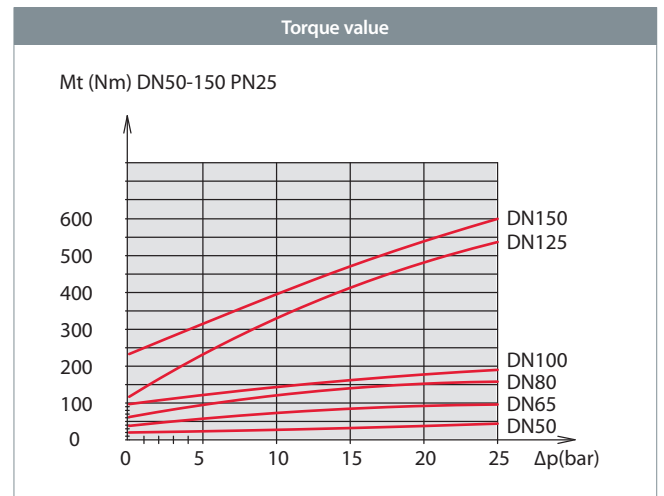
Operating torque - DN50-400, PN25

Full bore

Operating torque

The torque stated is for guidance only; it has been obtained by measuring on new ball valves. The torque is to be understood as the pull-off torque applicable for a closed, but recently activated ball valve.

The value stated may rise to a factor of 1.5 after a long period of inactivity.



Torque Nm

The value stated may rise to a factor of 2 after a long period of inactivity.

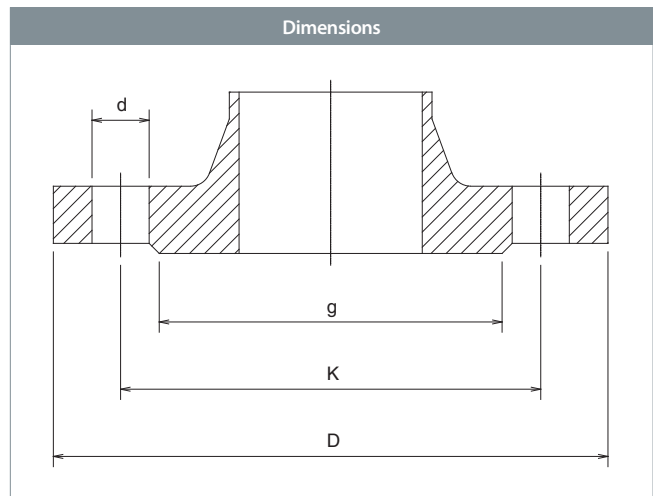
Torque Nm				
FB	DN200	DN250	DN300	DN400
Δ16 bar	570	1460	2670	5665
Δ25 bar	610	1620	3325	6205

Connecting flange - DN15-50, PN40

EN 1092-1 - Full bore

Description

Flangestandard.



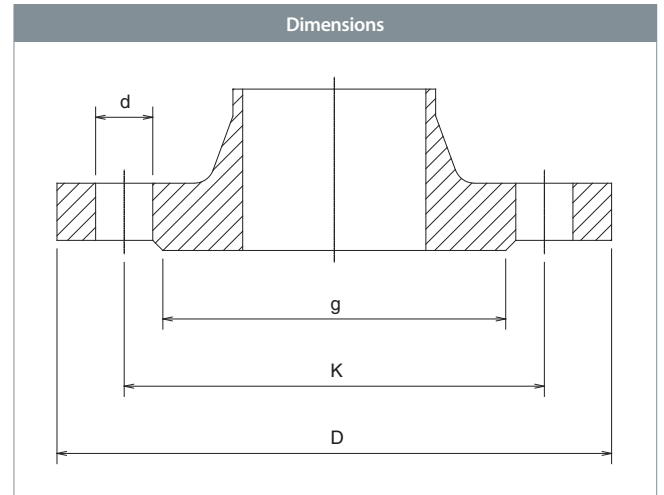
All dimensions in mm					
DN	D	K	g	d	No. of bolt holes
15	95	65	45	14	4
20	105	75	58	14	4
25	115	85	68	14	4
32	140	100	78	18	4
40	150	110	88	18	4
50	165	125	102	18	4

Connecting flange - DN15-400, PN25

EN 1092-1 - Full bore

Description

Flangestandard.



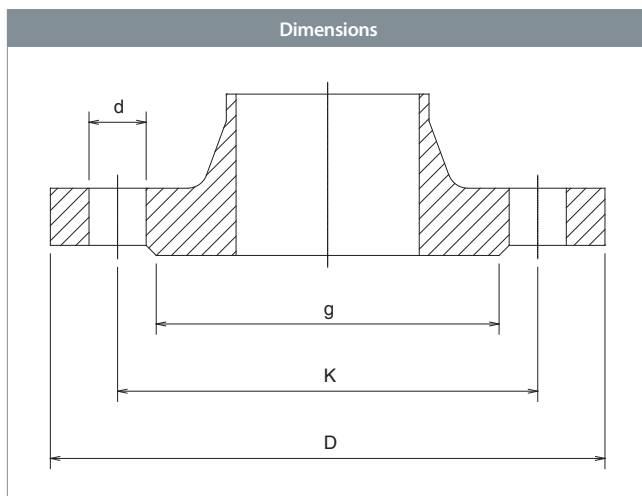
All dimensions in mm					
DN	D	K	g	d	No. of bolt holes
15	95	65	45	14	4
20	105	75	58	14	4
25	115	85	68	14	4
32	140	100	78	18	4
40	150	110	88	18	4
50	165	125	102	18	4
65	185	145	122	18	8
80	200	160	138	18	8
100	235	190	162	22	8
125	270	220	188	26	8
150	300	250	218	26	8
200	360	310	278	26	12
250	425	370	335	30	12
300	485	430	395	30	16
350	555	490	450	33	16
400	620	550	505	36	16

Connecting flange - DN15-400, PN16

EN 1092-1 - Full bore

Description

Flangestandard.



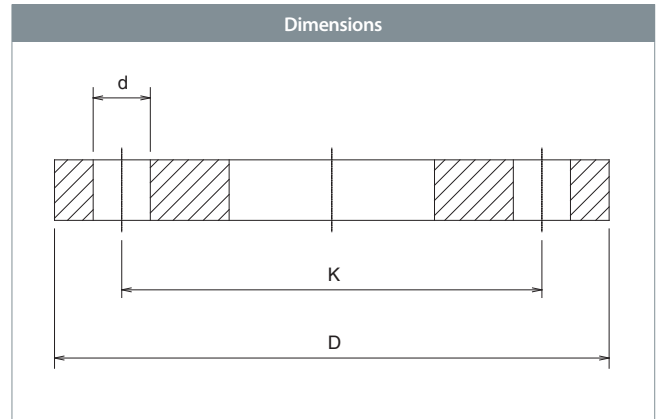
All dimensions in mm					
DN	D	K	g	d	No. of bolt holes
15	95	65	45	14	4
20	105	75	58	14	4
25	115	85	68	14	4
32	140	100	78	18	4
40	150	110	88	18	4
50	165	125	102	18	4
65	185	145	122	18	4
80	200	160	138	18	8
100	220	180	158	18	8
125	250	210	188	18	8
150	285	240	212	22	8
200	340	295	268	22	12
250	405	355	320	26	12
300	460	410	378	26	12
350	520	470	438	26	16
400	580	525	490	30	16

Connecting flange - DN15-400, PN10

EN 1092-1 - Full bore

Description

Flangestandard.



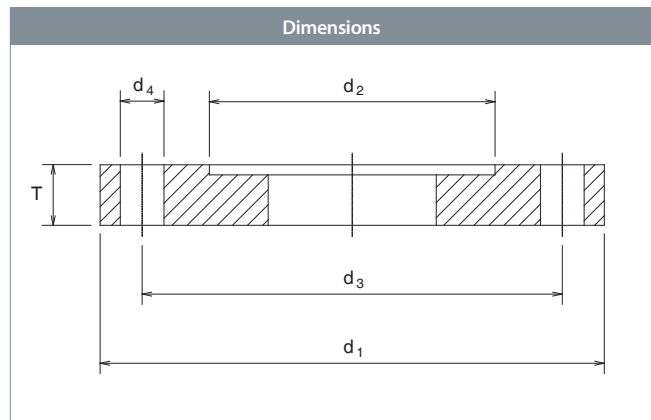
DN	All dimensions in mm			No. of bolt holes
	D	K	d	
15	95	65	14	4
20	105	75	14	4
25	115	85	14	4
32	140	100	18	4
40	150	110	18	4
50	165	125	18	4
65	185	145	18	4
80	200	160	18	8
100	220	180	18	8
125	250	210	18	8
150	285	240	22	8
200	340	295	22	8
250	395	350	22	12
300	445	400	22	12
350	505	460	22	16
400	565	515	26	16

Valve actuator attachment - PN10

ISO 5210 / ISO 5211 - **Full bore**

Description

ISO-flange for gear.



		All dimensions in mm					
To be used with DN	Flange type	T	d_1	d_2	d_3	d_4	No. of bolt holes
65-80	F05	12.5	65	35	50	7	4
100-125	F07	13.5	90	55	70	9	4
150	F10	14.5	125	70	102	11	4
200	F12	14.5	150	85	125	13	4
250	F14	17.6	175	100	140	17	4
300	F16	23.5	210	130	165	21	4
350	F16	23.5	210	130	165	21	4
400	F25	27.5	300	200	254	17	8