

TGV-25

FULL BORE BALL VALVE

GENERAL FEATURES

Valves are important control element for flow control. Due to their fluid flow pattern, the ball valves have minimum pressure loss.

The pressure loss of the same diameter pipe is equivalent to the Ayvaz TGV 25's loss of pressure.

Application Areas:

Hot, cold and condensate lines.

Installation:

Installation can be done in every position.

TECHNICAL SPECIFICATIONS

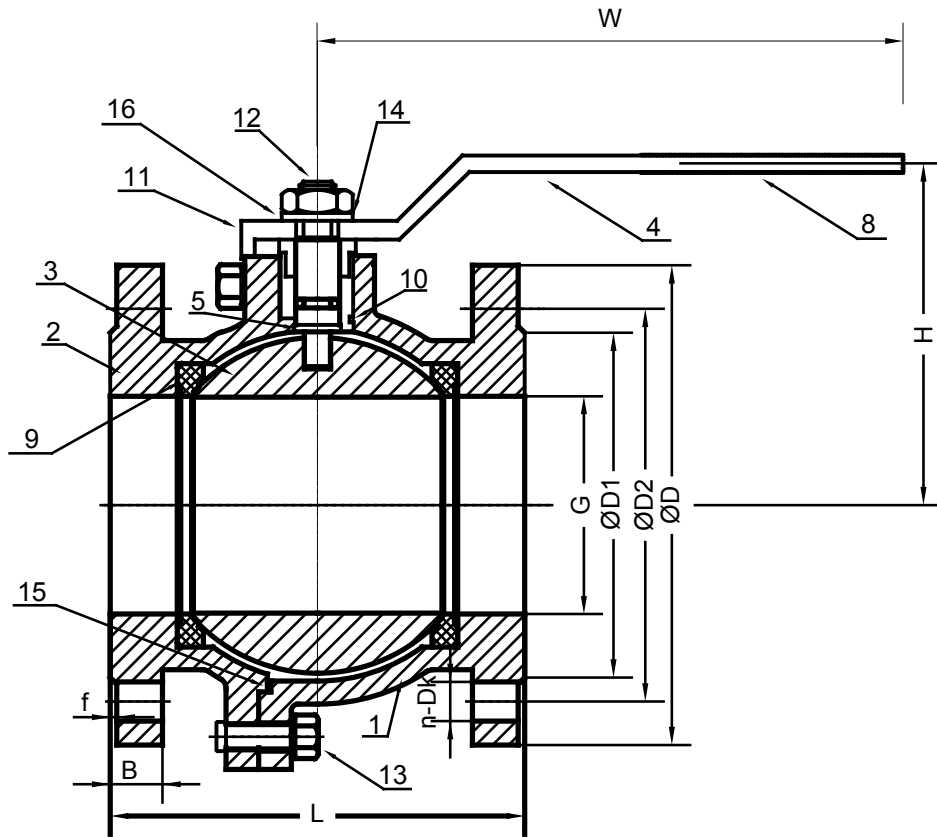
- Flanged Body GGG-25
- Stainless Steel Ball
- Ball sealing ring and control stem ring is teflon.
- (PTFE)Outer sealing ring is silicon.
- Stainless steel control stem with PTFE and O-ring system, internally mounted, provides extra sealing safety.
- **Flanged Connection Norm:** EN 1092-2 & TS-ISO 7005-2
- Full Bore.
- Long Life.
- Easy to use.

WORKING CONDITIONS	
Max. Working Pressure	10/16 bar
Max. Working Temperature	180 °C

WORKING CONDITIONS	
DN40 - DN150	10/16 bar
DN200	16 bar

DN 40	DN 50	DN 65	DN 80	DN 100	DN 125	DN 150	DN 200
10,6 kg	12,2 kg	18 kg	22,4 kg	29,4 kg	66,6 kg	80 kg	140 kg

TGV-25 FULL BORE BALL VALVE

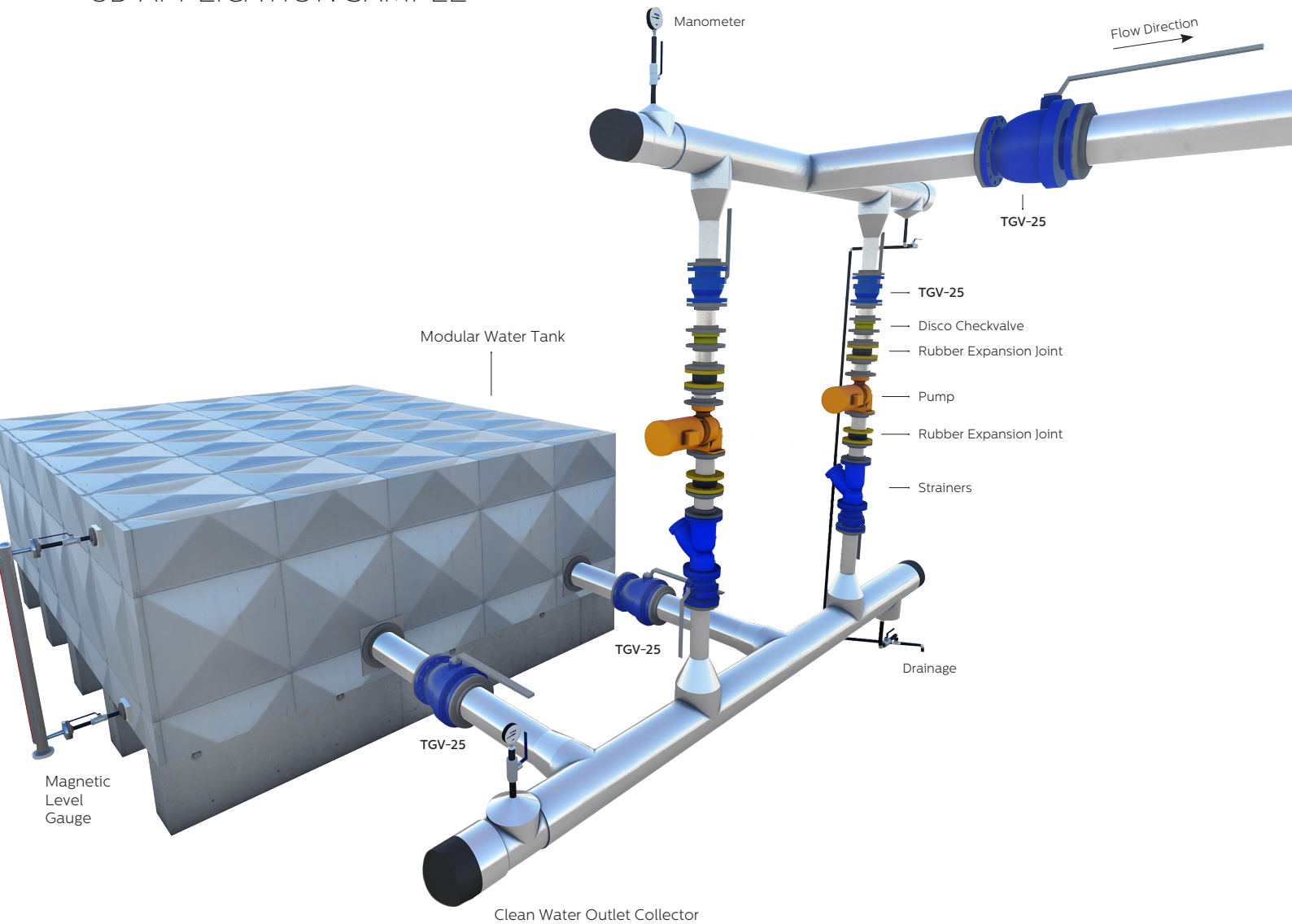


DIMENSIONS (mm)								
PN10/16 - DN (mm)								
Dia.	D	D1	D2	L	B	f	H	n-Dk
40	150	78	110	140	18	3	135	4-Ø19
50	165	99	125	150	20	3	142	4-Ø19
65	185	118	145	170	20	3	152	4-Ø19
80	200	132	160	180	22	3	160	8-Ø19
100	220	156	180	190	24	3	174	8-Ø19
125	250	184	210	325	26	3	195	8-Ø19
150	285	211	210	350	26	3	210	8-Ø23
200	340	266	295	400	30	3	240	8-Ø23

SPARE PARTS		
No	Part Name	Material
1	Body	GGG-25
2	Cover	GGG-25
3	Ball	AISI 304
4	Handle	C 1040
5	Pin	X20CR13/Ç1040
6	Raccord	C 1040
7	Bolt	C 1030
8	Handle Cover	Plastic
9	Ball Teflon	PTFE
10	Thin Teflon	PTFE
11	Lock	C 1040
12	Fiber Nut	DIN-985
13	Stud Nut	DIN-934
14	Thrust Washer	C 1040
15	Pin Teflon	PTFE
16	Thrust Washer	C 1040

TGV-25 FULL BORE BALL VALVE

3D APPLICATION SAMPLE



HEAD OFFICE - FACTORY

Atatürk Sanayi Bölgesi Hadımköy Mahallesi Mustafa 'nan Caddesi No: 44 Arnavutköy - ISTANBUL
 Tel: +90 212 771 01 45 (pbx) | Fax: +90 212 771 47 27
 info@ayvaz.com | www.ayvaz.com

Cona Caserta/Italy
 Tel: +39 0823 187 3988
 rmlaro@ayvaz.com

Ayvaz Russia Moscow/Russia
 Tel: +74959951728
 ayvazrus@ayvaz.com

Ayvaz Germany Viernheim/Germany
 Tel: +49 62046014399
 germany@ayvaz.com

Ayvaz Ukraine Kiev/Ukraine
 Tel: +380 44 390 57 57
 info@ayvaz.com.ua

Tricorr Warsaw/Poland
 Tel: +48-32-783-295-1
 tricorr@tricorr.eu

Haci Ayvaz M.E. Dubai/U.A.E
 Tel: +971 563550822
 +971 501306871
 mideast@ayvaz.com

Ayvaz China Cixi City/China
 Tel: +86 0574 5897 3851
 info@ayvazchina.com

Ayvaz Kazakhstan LLP Almaty/Kazakhstan
 Tel: +7 (727) 327 97 57
 info_kz@ayvaz.com
 www.ayvaz.kz

Ayvaz N Isperih/Bulgaria
 Tel: +359 8431 27 32
 office@ayvaz-n.eu

Ayvaz Serbia Belgrad/Serbia
 Tel: +381 61 658 70 52
 yakbiyik@ayvaz.com