

Steel ball valve - DN15-50, PN40

Type 61103 / 64103 - Reduced bore

Flange × Flange

Fully welded steel ball valve.

Materials

See next page.

Applications

Isolating valve for heating systems, district heating, cooling and industrial purpose.

Media

Water, air and other media not decomposing the steel. Not suitable for steam. If in doubt, please contact BROEN Ballomax® Sales Department.

Surface treatment

Eco-friendly protection finish against corrosion.

Operation

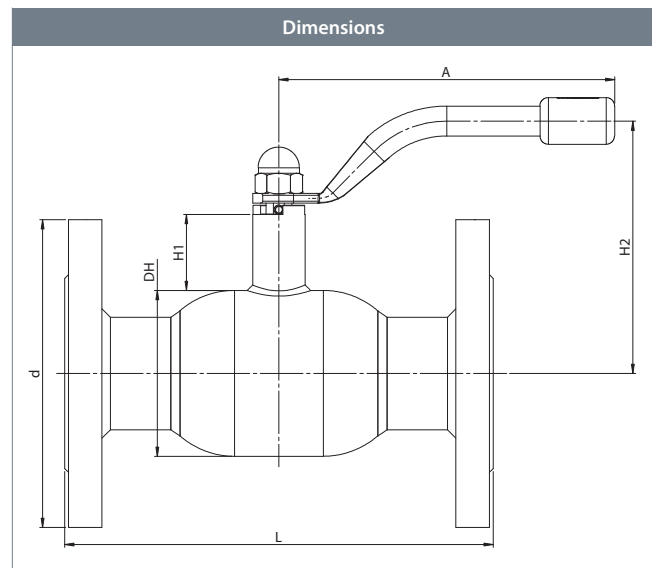
The standard handle is 180 degrees adjustable.

Approvals and certificates

BROEN is certified according to ISO 9001 and environmentally certified according to ISO 14001. BROEN Ballomax® is approved according to the requirements of Pressure Equipment Directive (PED). All ball valves as from DN40 are CE-marked. The 3.1 certificate is available upon request.

Notice

Other lengths and special flanges available on request.



DN	BROEN No.	Bore	Kvs	net Weight kg	All dimensions in mm					
					DH	d	L	H1	H2	A
15	61103015 010	10	8	1.5	38	95	130	50	116	140
20	64103020 010	15	15	2.9	42	105	150	47	85	140
25	64103025 010	20	27	3.5	51	115	160	47	89	140
32	64103032 010	25	40	4.8	57	140	180	48	93	140
40	64103040 010	32	69	6.2	76	150	200	41	108	180
50	64103050 010	40	110	8.2	89	165	230	41	114	180

Steel ball valve - DN15-50, PN40

Type 61103 / 64103 - **Reduced bore**

Technical drawing		Material description	
	2	Flange	Steel - S235JRG2 / 1.0038 / EN 10025-2
	5	Valve body	Steel - P235GH / 1.0345 / EN 10217-2
	6	Ball	Stainless steel - AISI304L / 1.4306 / EN 10217-7
	7	Seat ring	PTFE 20% Carbon
	8	Back-up ring	Steel - DC01 / 1.0330 / EN 10130
	9	Disc spring	Steel - C75S / 1.1248 / EN 10132-4
	10	Neck ring	Steel - S355J2+N / 1.0570 / EN 10025-2
	11	Stem guide	Steel - S355J2+N / 1.0570 / EN 10025-2
	12	Stem	Stainless steel - ASTM420 / 1.4021 / EN 10088-3
	13	Stem washer	Stainless steel - AISI304 / 1.4301 / EN 10088-3
	14	Friction washer	PTFE 20% Carbon
	15	O-ring	Rubber - EPDM70
	16	Back-up ring	PTFE 20% Carbon
	17	O-ring	Rubber - FPM70
	18	Intermediate ring	Stainless steel - AISI303 / 1.4305 / EN 10088-3
	19	Pin	Steel - hardenat
	20	Handle	Steel
	21	Cap nut	Steel - galvanized

Accessories	BROEN No.	Dimension	Description
	66050010 000 - yellow	DN15-32	T-handles in three different colors - yellow, blue and red. Factory fitted T-handle on request.
	66050010 003 - blue		
	66050010 004 - red		
	66050040 000 - yellow	DN40-50	
	66050040 003 - blue		
	66050040 004 - red		
	203245	DN15-32	ISO-flange.
	208245	DN40-50	
	66160010 000	DN15-32	Hexagon for insertion key.
	66160040 000	DN40-50	

Special model: Minimum length - Flange x Flange - DN15-50:

DN	Standard length - mm	Minimum length - mm
15	130	On request
20	150	118
25	160	130
32	180	135
40	200	150
50	230	165

Steel ball valve - DN65-150, PN25

Type 64103 - Reduced bore

Flange × Flange

Fully welded steel ball valve.

Materials

See next page.

Applications

Isolating valve for heating systems, district heating, cooling and industrial purpose.

Media

Water, air and other media not decomposing the steel. Not suitable for steam. If in doubt, please contact BROEN Ballomax® Sales Department.

Surface treatment

Eco-friendly protection finish against corrosion.

Operation

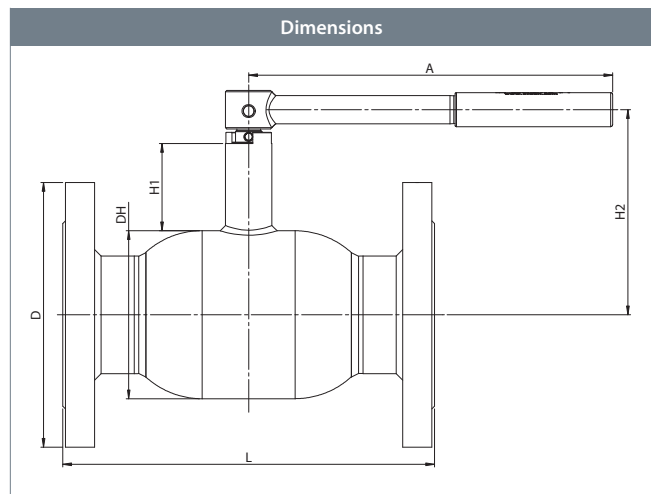
The standard handle is 180 degrees adjustable.

Approvals and certificates

BROEN is certified according to ISO 9001 and environmentally certified according to ISO 14001. BROEN Ballomax® is approved according to the requirements of Pressure Equipment Directive (PED). All ball valves as from DN40 are CE-marked. The 3.1 certificate is available upon request.

Notice

Other pressure levels, lengths and special flanges available on request.



DN	BROEN No.	Bore	Kvs	net Weight kg	All dimensions in mm					
					DH	D	L	H1	H2	A
65	6410325065 010	50	180	9,9	108	185	270	66	144	275
80	6410325080 010	65	288	13,2	127	200	280	66	154	275
100	6410325100 010	85	470	18,3	152	235	300	81	193	365
125	6410325125 010	100	699	27,1	178	270	325	91	211	365
150	6410325150 010	125	1046	36,2	219	300	350	101	249	650

Steel ball valve - DN65-150, PN25



Type 64103 - Reduced bore

Technical drawing		Material description	
	2	Flange	Steel - S235JRG2 / 1.0038 / EN 10025-2
	5	Valve body	Steel - P235GH / 1.0345 / EN 10217-2
	6	Ball	Stainless steel - AISI304L / 1.4306 / EN 10217-7
	7	Seat ring	PTFE 20% Carbon
	8	Back-up ring	Steel - DC01 / 1.0330 / EN 10130
	9	Disc spring	Steel - C75S / 1.1248 / EN 10132-4
	10	Neck ring	Steel - S355J2+N / 1.0570 / EN 10025-2
	11	Stem guide	Steel - S355J2+N / 1.0570 / EN 10025-2
	12	Stem	Stainless steel - ASTM420 / 1.4021 / EN 10088-3
	13	Stem washer	Stainless steel - AISI304 / 1.4301 / EN 10088-3
	14	Friction washer	PTFE 20% Carbon
	15	O-ring	Rubber - EPDM70
	16	Back-up ring	PTFE 20% Carbon
	17	O-ring	Rubber - FPM70
	18	Intermediate ring	Stainless steel - AISI303 / 1.4305 / EN 10088-3
	19	Pin	Steel - hardenat
	20	Handle	Steel
	22	Bearing	Steel - PTFE

Accessories	BROEN No.	Dimension	Description
	167245	DN65-80	ISO-flange.
	169245	DN100	
	66160065 000	DN65-80	Hexagon for insertion key.
	66164100 000	DN100	
	66161100 000	DN125	
	66161150 000	DN150	

Special model: Minimum length - Flange x Flange - DN65-150:

DN	Standard length - mm	Minimum length - mm
65	270	206
80	280	224
100	300	244
125	-	-
150	-	-

Steel ball valve - DN125-200, PN25

Type 61103 - Reduced bore

Flange × Flange with ISO-flange

Fully welded steel ball valve.

Materials

See next page.

Applications

Isolating valve for heating systems, district heating, cooling and industrial purpose.

Media

Water, air and other media not decomposing the steel. Not suitable for steam. If in doubt, please contact BROEN Ballomax® Sales Department.

Surface treatment

Eco-friendly protection finish against corrosion.

Operation

The standard handle is 180 degrees adjustable.

The following operating devices are available on request

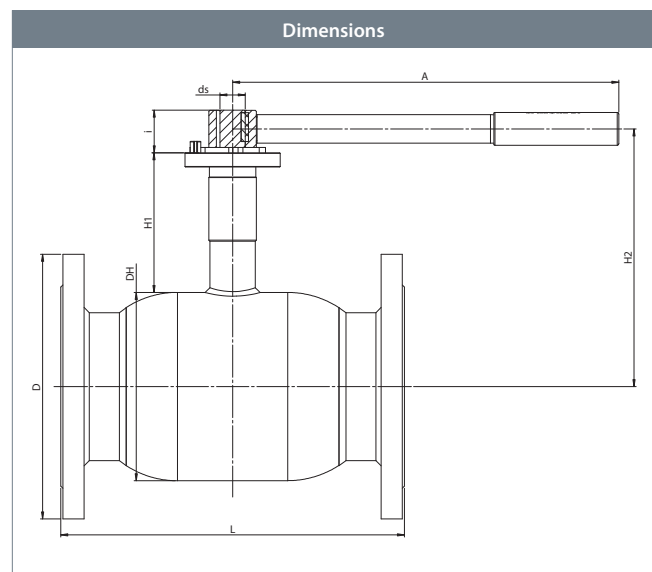
- BROEN-Gear.
- Electric actuator.

Approvals and certificates

BROEN is certified according to ISO 9001 and environmentally certified according to ISO 14001. BROEN Ballomax® is approved according to the requirements of Pressure Equipment Directive (PED). All ball valves as from DN40 are CE-marked. The 3.1 certificate is available upon request.

Notice

We recommend to add a BROEN-Gear. Other pressure levels, lengths and special flanges available on request.



DN	BROEN No.	Bore	Kvs	net Weight kg	All dimensions in mm								
					DH	D	L	H1	H2	ds	i	A	ISO
125	6110325125 010	100	699	25.1	178	270	325	132	221	24	40	365	F07
150	6110325150 010	125	1046	38.2	219	300	350	135	245	30	50	650	F10
200	6110325200 010	150	1500	61.7	267	360	400	155	289	30	60	900	F12

Steel ball valve - DN125-200, PN25

Type 61103 - Reduced bore

Technical drawing		Material description	
	2	Flange	Steel - S235JRG2 / 1.0038 / EN 10025-2
	5	Valve body	Steel - P235GH / 1.0345 / EN 10217-2
	6	Ball	Stainless steel - AISI304L / 1.4306 / EN 10217-7
	7	Seat ring	PTFE 20% Carbon
	8	Back-up ring	Steel - DC01 / 1.0330 / EN 10130
	9	Disc spring	Steel - C75S / 1.1248 / EN 10132-4
	11	Stem guide	Steel - S355J2+N / 1.0570 / EN 10025-2
	12	Stem	Stainless steel - ASTM420 / 1.4021 / EN 10088-3
	13	Stem washer	Stainless steel - AISI304 / 1.4301 / EN 10088-3
	14	Friction washer	PTFE 20% Carbon
	15	O-ring	Rubber - EPDM70
	17	O-ring	Rubber - FPM70
	18	Intermediate ring	Stainless steel - AISI303 / 1.4305 / EN 10088-3
	20	Handle	Steel
	22	Bearing	Steel - PTFE
23	ISO-flange	Steel - S235JRG2 / 1.0038 / EN 10025-2	
25	Friction gasket	PTFE 20% Carbon	

Accessories	BROEN No.	Dimension	Description
	600584	DN125	BROEN-Gear.
	600585	DN150	
	600586	DN200	
	66161100 000	DN125	Hexagon for insertion key.
	66161150 000	DN150	

Special model: Minimum length - Flange x Flange - DN125-200:

DN	Standard length - mm	Minimum length - mm
125	325	272
150	350	300
200	400	385

Steel ball valve - DN125-200, PN25

Type 61103 - Reduced bore

Flange × Flange with ISO-flange and BROEN-Gear

Fully welded steel ball valve.

Materials

See next page.

Applications

Isolating valve for heating systems, district heating, cooling and industrial purpose.

Media

Water, air and other media not decomposing the steel. Not suitable for steam. If in doubt, please contact BROEN Ballomax® Sales Department.

Surface treatment

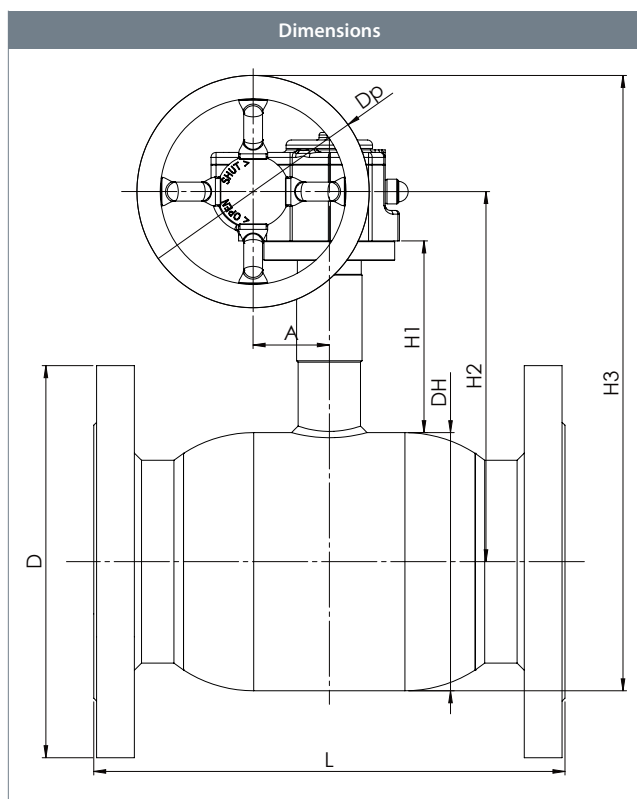
Eco-friendly protection finish against corrosion.

Approvals and certificates

BROEN is certified according to ISO 9001 and environmentally certified according to ISO 14001. BROEN Ballomax® is approved according to the requirements of Pressure Equipment Directive (PED). All ball valves as from DN40 are CE-marked. The 3.1 certificate is available upon request.

Notice

Other pressure levels, lengths and special flanges available on request.



					All dimensions in mm							
DN	BROEN No.	Bore	Kvs	net Weight kg	DH	D	L	H1	H2	H3	Dp	A
125	6110325125 480	100	699	32.4	178	270	325	132	255	424	160	53
150	6110325150 480	125	1046	47.1	219	300	350	135	287	522	250	69
200	6110325200 480	150	1500	71.3	267	360	400	155	331	590	250	69

Steel ball valve - DN125-200, PN25

Type 61103 - Reduced bore

Technical drawing		Material description	
	1	Welding	Steel - P235GH / 1.0345 / EN 10217-2
	2	Flange	Steel - S235JRG2 / 1.0038 / EN 10025-2
	5	Valve body	Steel - P235GH / 1.0345 / EN 10217-2
	6	Ball	Stainless steel - AISI304L / 1.4306 / EN 10217-7
	7	Seat ring	PTFE 20% Carbon
	8	Back-up ring	Steel - DC01 / 1.0330 / EN 10130
	9	Disc spring	Steel - C75S / 1.1248 / EN 10132-4
	11	Stem guide	Steel - S355J2+N / 1.0570 / EN 10025-2
	12	Stem	Stainless steel - ASTM420 / 1.4021 / EN 10088-3
	13	Stem washer	Stainless steel - AISI304 / 1.4301 / EN 10088-3
	14	Friction washer	PTFE 20% Carbon
	15	O-ring	Rubber - EPDM70
	16	Back-up ring	PTFE 20% Carbon
	17	O-ring	Rubber - FPM70
18	Intermediate ring	Stainless steel - AISI303 / 1.4305 / EN 10088-3	
22	Bearing	Steel - PTFE	
23	ISO-flange	Steel - S235JRG2 / 1.0038 / EN 10025-2	
47	Gear	-	

Special model: Minimum length - Flange x Flange - DN125-200:

DN	Standard length - mm	Minimum length - mm
125	325	272
150	350	300
200	400	385

Steel ball valve - DN65-150, PN16

Type 64103 - Reduced bore

Flange × Flange

Fully welded steel ball valve.

Materials

See next page.

Applications

Isolating valve for heating systems, district heating, cooling and industrial purpose.

Media

Water, air and other media not decomposing the steel. Not suitable for steam. If in doubt, please contact BROEN Ballomax® Sales Department.

Surface treatment

Eco-friendly protection finish against corrosion.

Operation

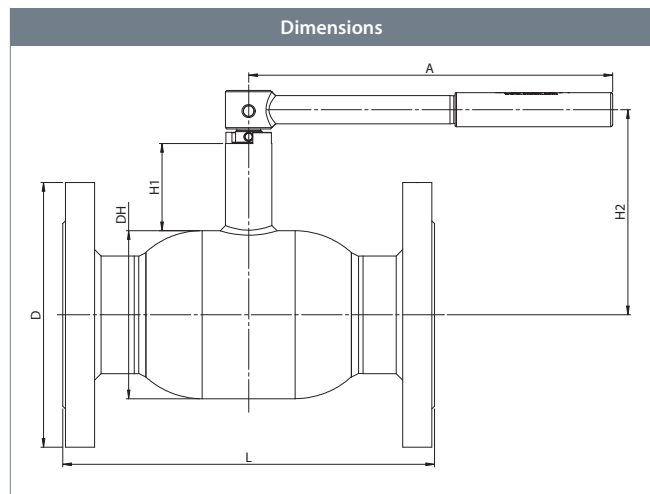
The standard handle is 180 degrees adjustable.

Approvals and certificates

BROEN is certified according to ISO 9001 and environmentally certified according to ISO 14001. BROEN Ballomax® is approved according to the requirements of Pressure Equipment Directive (PED). All ball valves as from DN40 are CE-marked. The 3.1 certificate is available upon request.

Notice

Other pressure levels, lengths and special flanges available on request.



DN	BROEN No.	Bore	Kvs	net Weight kg	All dimensions in mm					
					DH	D	L	H1	H2	A
65	64103065 010	50	180	9.9	108.0	185	270	66	144	275
80	64103080 010	65	288	13.2	127.0	200	280	66	154	275
100	64103100 010	85	470	18.3	152.0	220	300	81	193	365
125	64103125 010	100	699	24.3	177.8	250	325	91	212	365
150	64103150 010	125	1046	32.2	219.1	285	350	90	250	650

Steel ball valve - DN65-150, PN16



Type 64103 - Reduced bore

Technical drawing		Material description	
	2	Flange	Steel - S235JRG2 / 1.0038 / EN 10025-2
	5	Valve body	Steel - P235GH / 1.0345 / EN 10217-2
	6	Ball	Stainless steel - AISI304L / 1.4306 / EN 10217-7
	7	Seat ring	PTFE 20% Carbon
	8	Back-up ring	Steel - DC01 / 1.0330 / EN 10130
	9	Disc spring	Steel - C75S / 1.1248 / EN 10132-4
	10	Neck ring	Steel - S355J2+N / 1.0570 / EN 10025-2
	11	Stem guide	Steel - S355J2+N / 1.0570 / EN 10025-2
	12	Stem	Stainless steel - ASTM420 / 1.4021 / EN 10088-3
	13	Stem washer	Stainless steel - AISI304 / 1.4301 / EN 10088-3
	14	Friction washer	PTFE 20% Carbon
	15	O-ring	Rubber - EPDM70
	16	Back-up ring	PTFE 20% Carbon
	17	O-ring	Rubber - FPM70
	18	Intermediate ring	Stainless steel - AISI303 / 1.4305 / EN 10088-3
	19	Pin	Steel - hardenat
	20	Handle	Steel
	22	Bearing	Steel - PTFE

Accessories	BROEN No.	Dimension	Description
	167245	DN65-80	ISO-flange.
	169245	DN100	
	66160065 000	DN65-80	Hexagon for insertion key.
	66164100 000	DN100	
	66161100 000	DN125	
	66161150 000	DN150	

Special model: Minimum length - Flange x Flange - DN65-150:

DN	Standard length - mm	Minimum length - mm
65	270	206
80	280	224
100	300	244
125	-	-
150	-	-

Steel ball valve - DN125-200, PN16

Type 61103 - Reduced bore

Flange × Flange with ISO-flange

Fully welded steel ball valve.

Materials

See next page.

Applications

Isolating valve for heating systems, district heating, cooling and industrial purpose.

Media

Water, air and other media not decomposing the steel. Not suitable for steam. If in doubt, please contact BROEN Ballomax® Sales Department.

Surface treatment

Eco-friendly protection finish against corrosion.

Operation

The standard handle is 180 degrees adjustable.

The following operating devices are available on request:

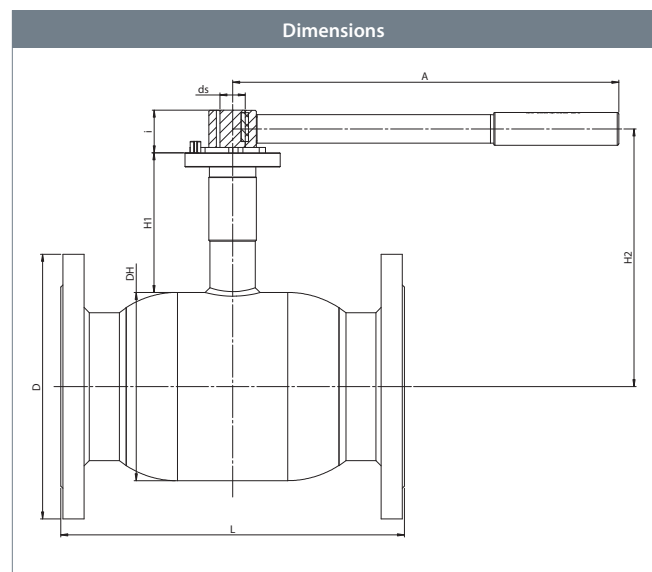
- BROEN-Gear.
- Electric actuator.

Approvals and certificates

BROEN is certified according to ISO 9001 and environmentally certified according to ISO 14001. BROEN Ballomax® is approved according to the requirements of Pressure Equipment Directive (PED). All ball valves as from DN40 are CE-marked. The 3.1 certificate is available upon request.

Notice

We recommend to add a BROEN-Gear. Other pressure levels, lengths and special flanges available on request.



DN	BROEN No.	Bore	Kvs	net Weight kg	All dimensions in mm								
					DH	D	L	H1	H2	ds	i	A	ISO
125	61103125 010	100	699	25.1	178	250	325	132	221	24	40	365	F07
150	61103150 010	125	1046	38.2	219	285	350	135	245	30	50	650	F10
200	61103200 000	150	1500	61.7	267	340	400	155	289	30	60	900	F12

Steel ball valve - DN125-200, PN16

Type 61103 - Reduced bore

Technical drawing		Material description	
	2	Flange	Steel - S235JRG2 / 1.0038 / EN 10025-2
	5	Valve body	Steel - P235GH / 1.0345 / EN 10217-2
	6	Ball	Stainless steel - AISI304L / 1.4306 / EN 10217-7
	7	Seat ring	PTFE 20% Carbon
	8	Back-up ring	Steel - DC01 / 1.0330 / EN 10130
	9	Disc spring	Steel - C75S / 1.1248 / EN 10132-4
	11	Stem guide	Steel - S355J2+N / 1.0570 / EN 10025-2
	12	Stem	Stainless steel - ASTM420 / 1.4021 / EN 10088-3
	13	Stem washer	Stainless steel - AISI304 / 1.4301 / EN 10088-3
	14	Friction washer	PTFE 20% Carbon
	15	O-ring	Rubber - EPDM70
	17	O-ring	Rubber - FPM70
	18	Intermediate ring	Stainless steel - AISI303 / 1.4305 / EN 10088-3
	20	Handle	Steel
	22	Bearing	Steel - PTFE
23	ISO-flange	Steel - S235JRG2 / 1.0038 / EN 10025-2	
25	Friction gasket	PTFE 20% Carbon	

Accessories	BROEN No.	Dimension	Description
	600584	DN125	BROEN-Gear.
	600585	DN150	
	600586	DN200	
	66161100 000	DN125	Hexagon for insertion key.
	66161150 000	DN150	

Special model: Minimum length - Flange x Flange - DN125-200:

DN	Standard length - mm	Minimum length - mm
125	325	272
150	350	300
200	400	385

Steel ball valve - DN125-200, PN16

Type 61103 - Reduced bore

Flange × Flange with ISO-flange and BROEN-Gear

Fully welded steel ball valve.

Materials

See next page.

Applications

Isolating valve for heating systems, district heating, cooling and industrial purpose.

Media

Water, air and other media not decomposing the steel. Not suitable for steam. If in doubt, please contact BROEN Ballomax® Sales Department.

Surface treatment

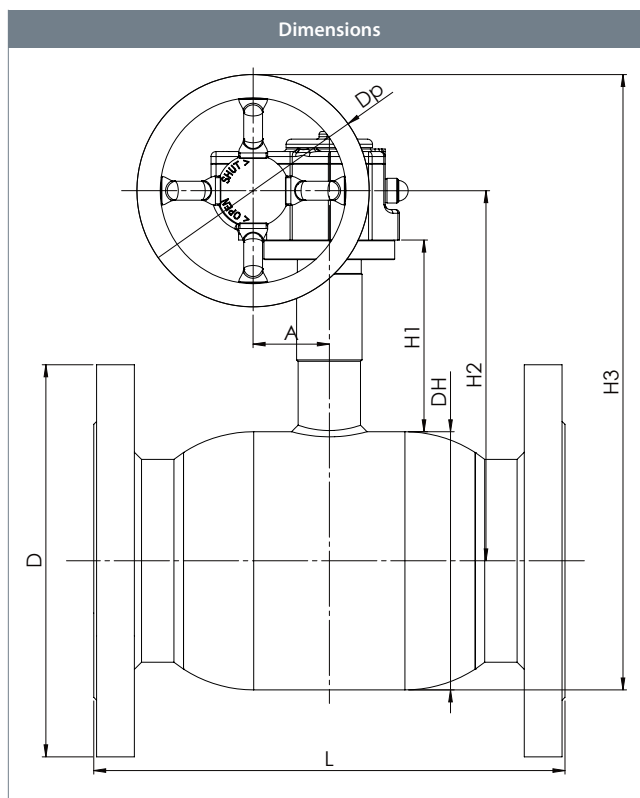
Eco-friendly protection finish against corrosion.

Approvals and certificates

BROEN is certified according to ISO 9001 and environmentally certified according to ISO 14001. BROEN Ballomax® is approved according to the requirements of Pressure Equipment Directive (PED). All ball valves as from DN40 are CE-marked. The 3.1 certificate is available upon request.

Notice

Other pressure levels, lengths and special flanges available on request.



DN	BROEN No.	Bore	Kvs	net Weight kg	All dimensions in mm							
					DH	D	L	H1	H2	H3	Dp	A
125	6110316125 480	100	699	29.7	178	250	325	132	221	424	160	53
150	6110316150 480	125	1046	46.8	219	285	350	135	245	522	250	69
200	6110316200 480	150	1500	69.7	267	340	400	155	289	590	250	69

Steel ball valve - DN125-200, PN16

Type 61103 - Reduced bore

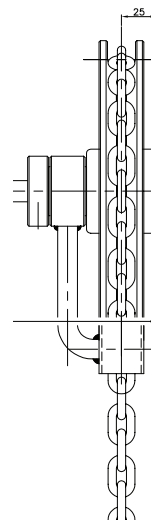
Technical drawing		Material description	
	1	Welding	Steel - P235GH / 1.0345 / EN 10217-2
	2	Flange	Steel - S235JRG2 / 1.0038 / EN 10025-2
	5	Valve body	Steel - P235GH / 1.0345 / EN 10217-2
	6	Ball	Stainless steel - AISI304L / 1.4306 / EN 10217-7
	7	Seat ring	PTFE 20% Carbon
	8	Back-up ring	Steel - DC01 / 1.0330 / EN 10130
	9	Disc spring	Steel - C75S / 1.1248 / EN 10132-4
	11	Stem guide	Steel - S355J2+N / 1.0570 / EN 10025-2
	12	Stem	Stainless steel - ASTM420 / 1.4021 / EN 10088-3
	13	Stem washer	Stainless steel - AISI304 / 1.4301 / EN 10088-3
	14	Friction washer	PTFE 20% Carbon
	15	O-ring	Rubber - EPDM70
	16	Back-up ring	PTFE 20% Carbon
	17	O-ring	Rubber - FPM70
18	Intermediate ring	Stainless steel - AISI303 / 1.4305 / EN 10088-3	
22	Bearing	Steel - PTFE	
23	ISO-flange	Steel - S235JRG2 / 1.0038 / EN 10025-2	
47	Gear	-	

Special model: Minimum length - Flange x Flange - DN125-200:

DN	Standard length - mm	Minimum length - mm
125	325	272
150	350	300
200	400	385

BROEN-Gear with chain - DN40-300

Type CW... - Full bore



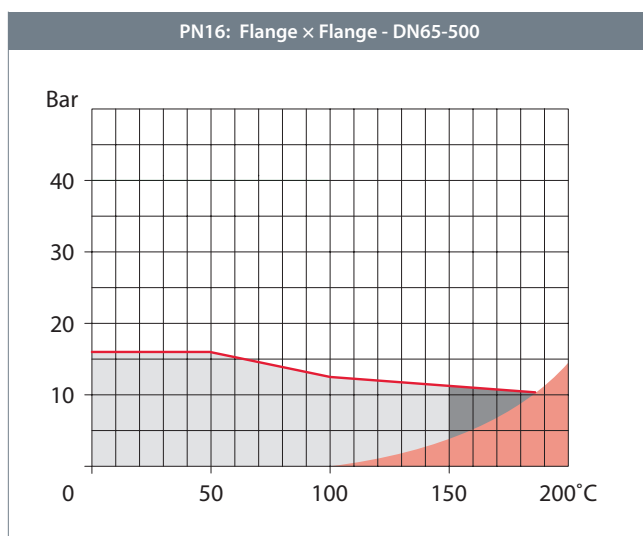
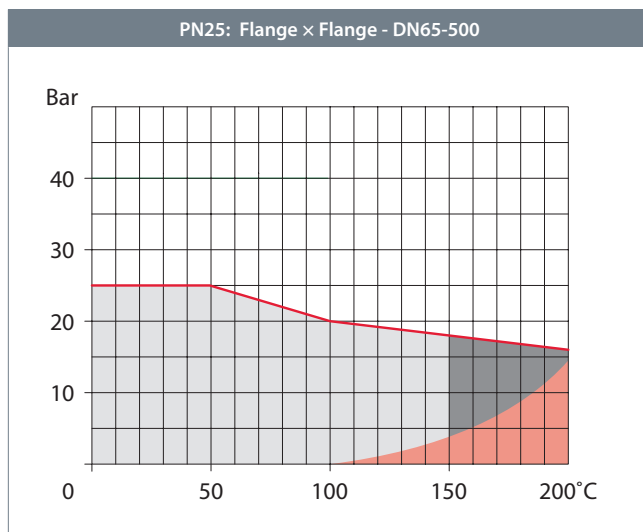
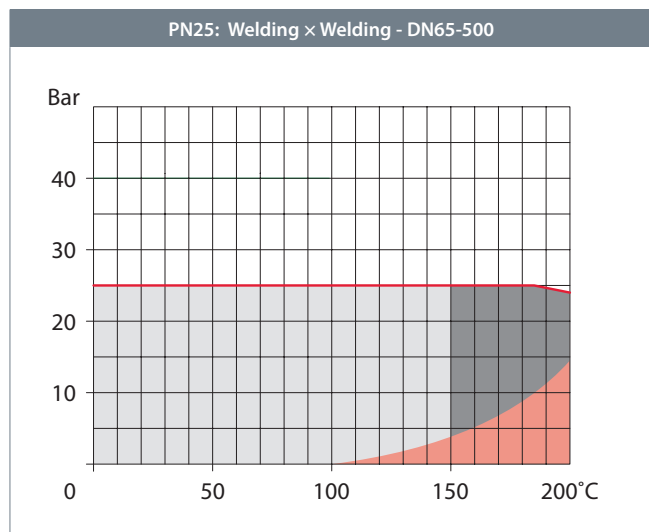
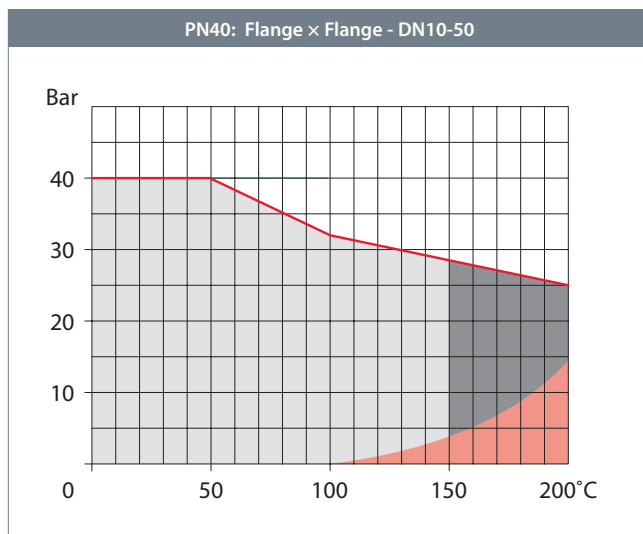
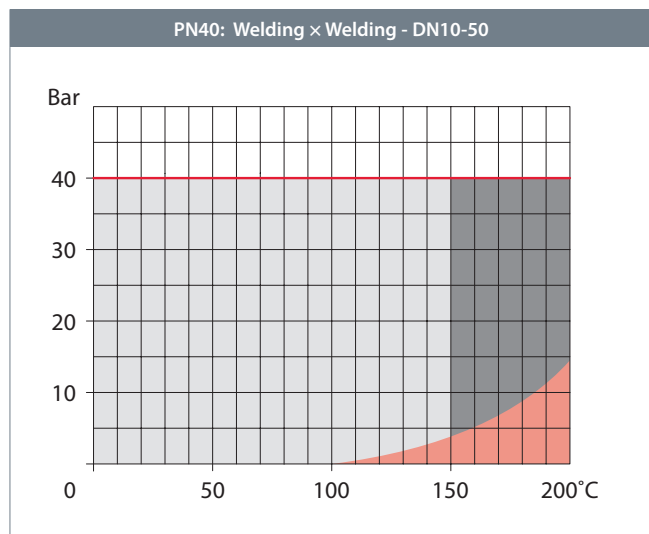
	Size	BROEN No.
	Ø15	CW 135
	Ø20	CW 215
	Ø25	CW 335
Accessory:		
Gear chain	1 meter - ZP chain (+ Splitlink)	
Gear chain	1 meter - SS chain (+ Splitlink)	

BROEN manual gear, mounting and adjustment are customers responsibility. Possible to operate with chain, for gear mounted high above ground. Galvanized chain, price per meter.

NOTICE: The length is the total length, not the height above ground of the gear.

Pressure and temperature graph - DN10-500 - PN40/25/16

Reduced bore



- Normal working area
- Short-term working area
- Steam area
(see high temperature valves
- section 8)

Pressure drop graph - DN10-500

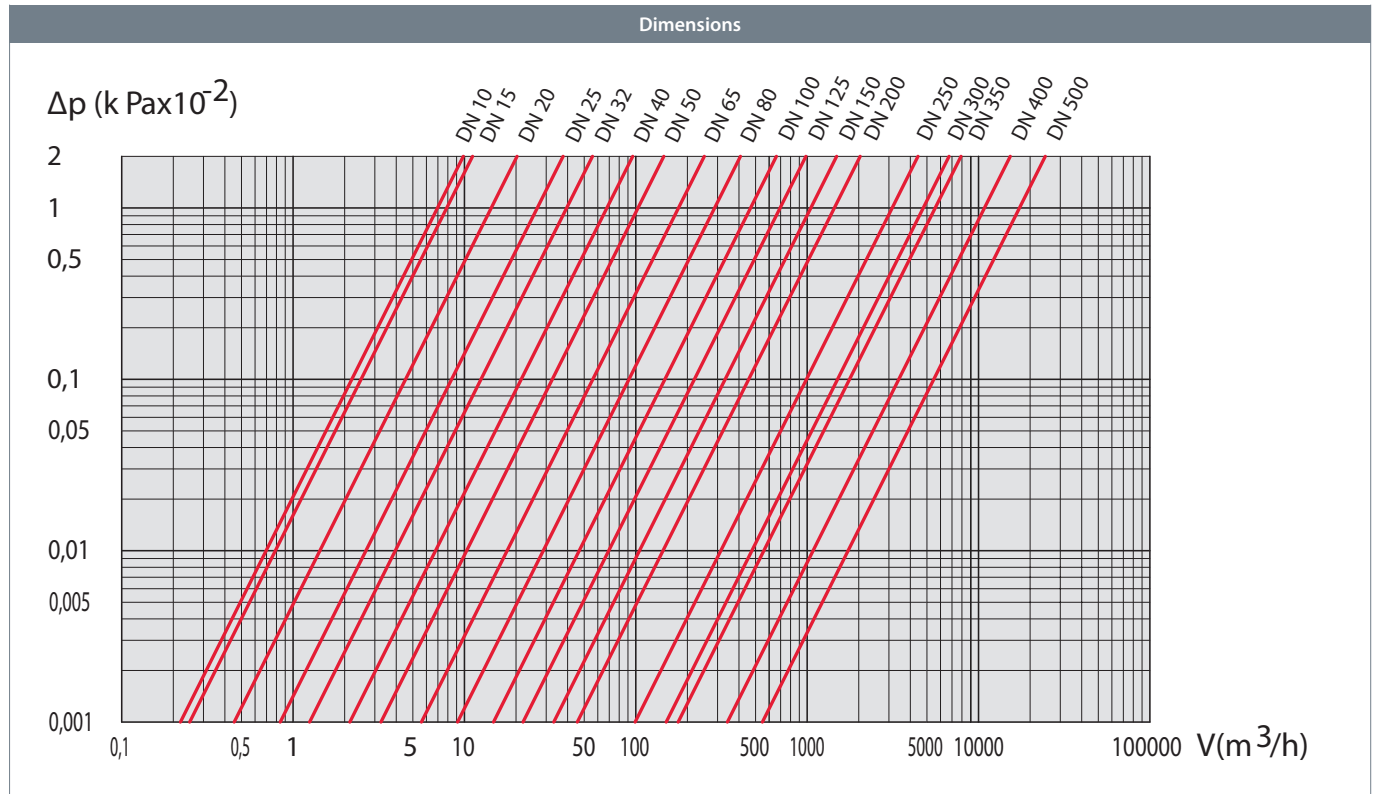
Reduced bore

Pressure drop graph

Ball valve in fully open position.
Medium: water density in 1000 kg/m³

Definitions

Kvs: M³ water per hour at pressure drop 1 bar.



DN	10	15	20	25	32	40	50	65	80	100	125	150	200	250	300	350	400	500
Kvs	7	8	15	27	40	69	110	180	288	470	699	1046	1500	5300	8200	8900	13700	20300

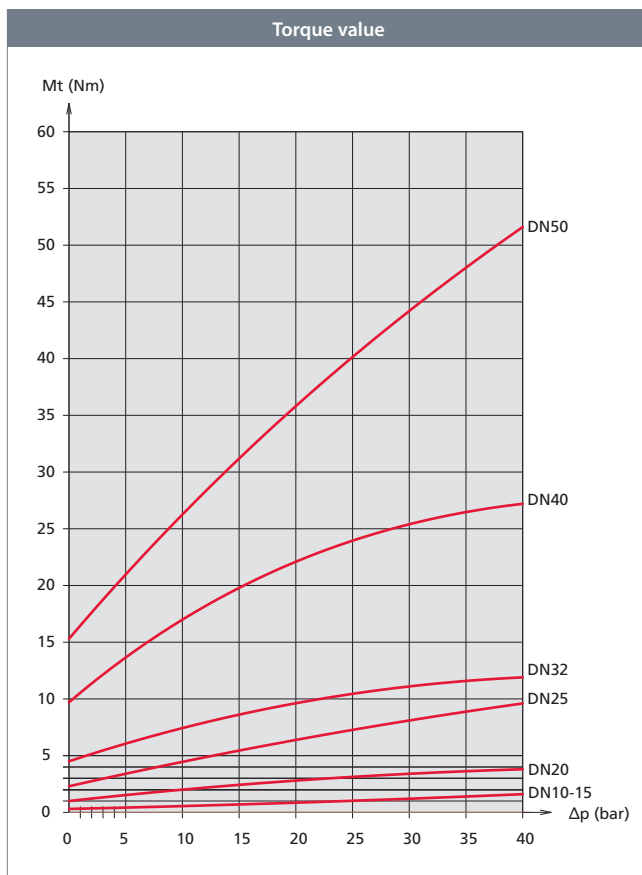
Operating torque - DN10-50, PN40

Reduced bore

Operating torque

The torque stated is for guidance only; it has been obtained by measuring on new ball valves. The torque is to be understood as the pull-off torque applicable for a closed, but recently activated ball valve.

The value stated may rise to a factor of 1.5 after a long period of inactivity.



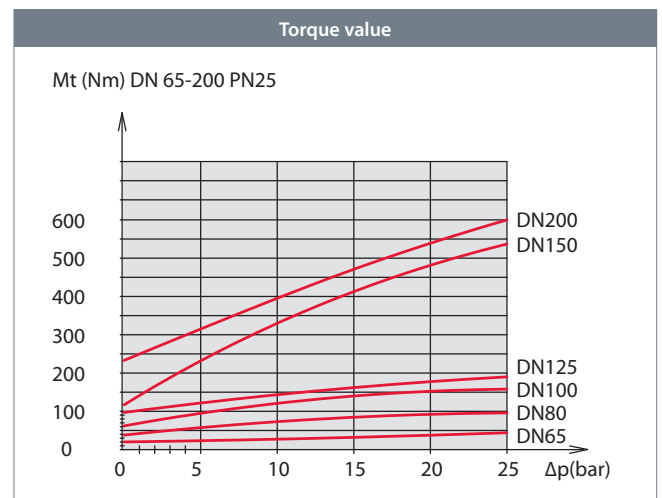
Operating torque - DN65-500, PN25

Reduced bore

Operating torque

The torque stated is for guidance only; it has been obtained by measuring on new ball valves. The torque is to be understood as the pull-off torque applicable for a closed, but recently activated ball valve.

The value stated may rise to a factor of 1.5 after a long period of inactivity.



Torque Nm

The value stated may rise to a factor of 2 after a long period of inactivity.

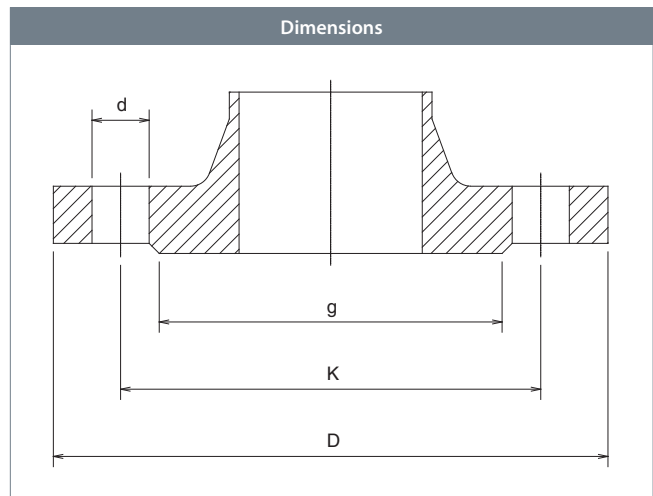
Torque Nm				
RB	DN250	DN300/350	DN400	DN500
Δ16 bar	570	1460	2670	5665
Δ25 bar	610	1620	3325	6205

Connecting flange - DN15-50, PN40

EN 1092-1 - Reduced bore

Description

Flangestandard.



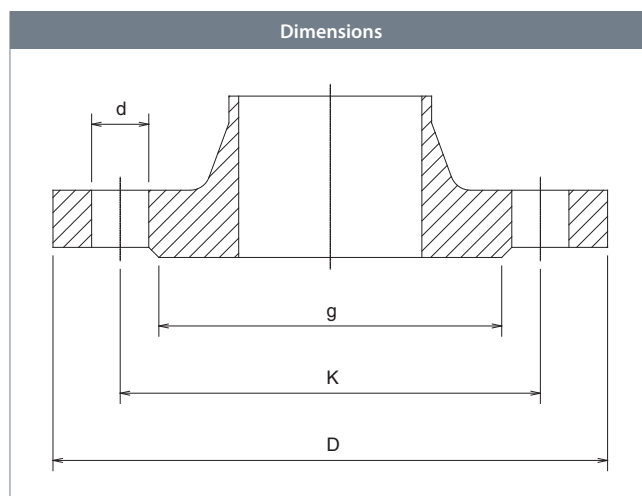
DN	All dimensions in mm				No. of bolt holes
	D	K	g	d	
15	95	65	45	14	4
20	105	75	58	14	4
25	115	85	68	14	4
32	140	100	78	18	4
40	150	110	88	18	4
50	165	125	102	18	4

Connecting flange - DN15-500, PN25

EN 1092-1 - **Reduced bore**

Description

Flangestandard.



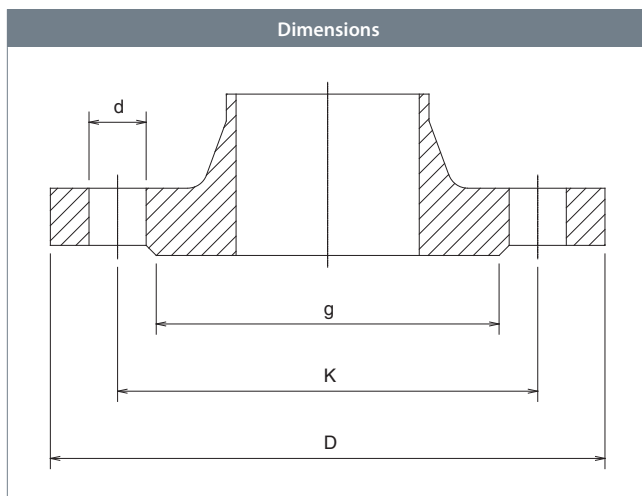
All dimensions in mm					
DN	D	K	g	d	No. of bolt holes
15	95	65	45	14	4
20	105	75	58	14	4
25	115	85	68	14	4
32	140	100	78	18	4
40	150	110	88	18	4
50	165	125	102	18	4
65	185	145	122	18	8
80	200	160	138	18	8
100	235	190	162	22	8
125	270	220	188	26	8
150	300	250	218	26	8
200	360	310	278	26	12
250	425	370	335	30	12
300	485	430	395	30	16
350	555	490	450	33	16
400	620	550	505	36	16
500	730	660	615	36	20

Connecting flange - DN15-500, PN16

EN 1092-1 - Reduced bore

Description

Flangestandard.



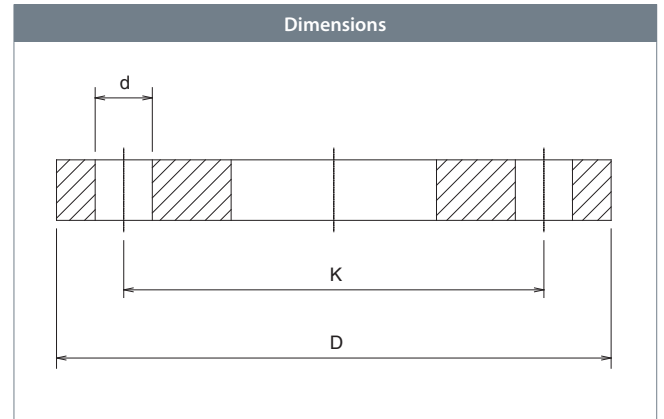
DN	All dimensions in mm				No. of bolt holes
	D	K	g	d	
15	95	65	45	14	4
20	105	75	58	14	4
25	115	85	68	14	4
32	140	100	78	18	4
40	150	110	88	18	4
50	165	125	102	18	4
65	185	145	122	18	4
80	200	160	138	18	8
100	220	180	158	18	8
125	250	210	188	18	8
150	285	240	212	22	8
200	340	295	268	22	12
250	405	355	320	26	12
300	460	410	378	26	12
350	520	470	438	26	16
400	580	525	490	30	16
500	715	650	610	33	20

Connecting flange - DN15-500, PN10

EN 1092-1 - **Reduced bore**

Description

Flangestandard.



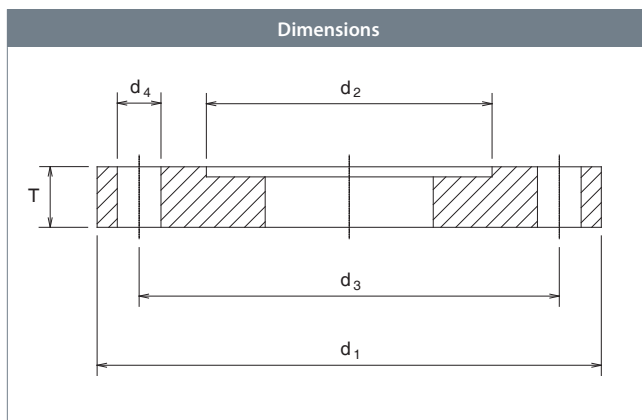
DN	All dimensions in mm			No. of bolt holes
	D	K	d	
15	95	65	14	4
20	105	75	14	4
25	115	85	14	4
32	140	100	18	4
40	150	110	18	4
50	165	125	18	4
65	185	145	18	4
80	200	160	18	8
100	220	180	18	8
125	250	210	18	8
150	285	240	22	8
200	340	295	22	8
250	395	350	22	12
300	445	400	22	12
350	505	460	22	16
400	565	515	26	16
500	670	620	26	20

Valve actuator attachment - DN65-500, PN10

ISO 5210 / ISO 5211 - Reduced bore

Description

ISO-flange for gear.



		All dimensions in mm					
To be used with	Flange type	T	d_1	d_2	d_3	d_4	No. of bolt holes
DN65-80	F05	12.5	65	35	50	7	4
DN100-125	F07	13.5	90	55	70	9	4
DN150	F10	14.5	125	70	102	11	4
DN200	F12	14.5	150	85	125	13	4
DN250	F14	17.6	175	100	140	17	4
DN300	F16	23.5	210	130	165	21	4
DN350	F16	23.5	210	130	165	21	4
DN400	F25	27.5	300	200	254	17	8
DN500	F30	28.5	350	230	298	21	8