

# Stainless steel ball valves, reduced bore

234xx1 series, flange / flange, DN 100-250, reduced bore

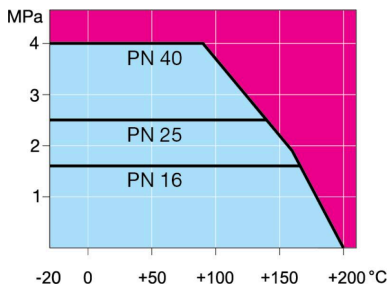
Body	DN 100-250 Stainless steel, X2CrNiMo17-12-2 (1.4404)
Ball	DN 100-250 Stainless steel, X2CrNiMo17-12-2 (1.4404)
Ball seal	DN 100-250 PTFE+C
Stem	DN 100-250 Stainless steel, X2CrNiMo17-12-2 (1.4404)
Stem seal	DN 100-250 FPM/NBR
Operation	DN 100-250 Valve is equipped with manual gear
Flanges	EN 1092-1 Available PN 10, 16, 25, 40



## Operation conditions

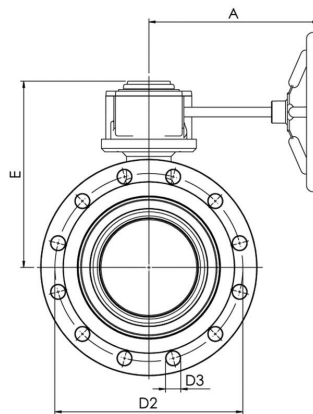
-20 °C – +200 °C  
Below -20 °C contact manufacturer  
Lowest allowed ambient temperature -40 °C

Leakage rate A (EN 12266-1)

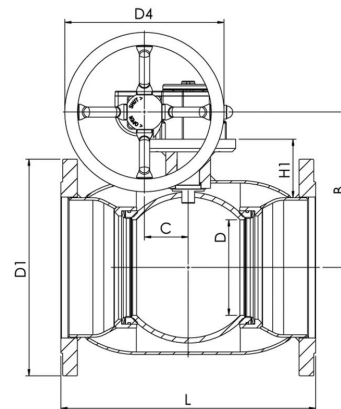


Not for steam

DN 100-250



DN 100-250



DN	PN	Product no.	A	B	C	D	D1	D2	D3	D4	E	H1	L	kg
100	16	234101	187	159	53	80	220.0	180.0	18.0	125.0	202	68	300	21.0
125	16	234126	224	183	53	100	250.0	210.0	18.0	200.0	225	79	325	29.0
150	16	234151	224	203	53	125	285.0	240.0	22.0	200.0	246	85	350	34.0
200	16	234201	268	244	69	150	340.0	295.0	22.0	250.0	293	92	400	57.0
250	16	234251	301	294	97	200	405.0	355.0	26.0	300.0	345	108	550	105.0