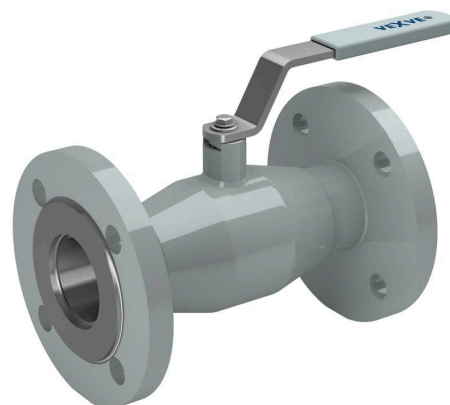


Stainless steel ball valves, reduced bore

233 series, flange / flange, DN 65-250, reduced bore

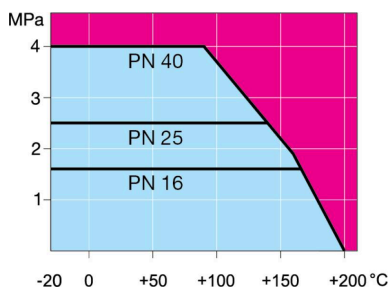
Body	DN 65-250 Stainless steel, X2CrNiMo17-12-2 (1.4404)
Ball	DN 65-250 Stainless steel, X2CrNiMo17-12-2 (1.4404)
Ball seal	DN 65-250 PTFE+C
Stem	DN 65-250 Stainless steel, X2CrNiMo17-12-2 (1.4404)
Stem seal	DN 65-250 FPM/NBR
Operation	DN 65-250 With zinc-plated steel handle
Flanges	EN 1092-1 Available PN 10, 16, 25, 40



Operation conditions

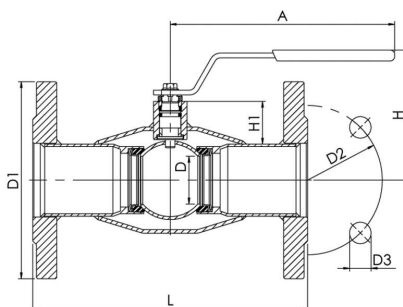
-20 °C – +200 °C
Below -20 °C contact manufacturer
Lowest allowed ambient temperature -40 °C

Leakage rate A (EN 12266-1)

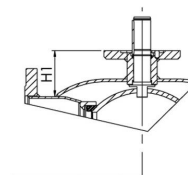


Not for steam

DN 65-150



DN 200-250



DN	PN	Product no.	A	D	D1	D2	D3	H	H1	L	kg
65	16	233065	278	50	185.0	145.0	18.0	148	51	270	10.5
80	16	233080	278	65	200.0	160.0	18.0	160	58	280	12.0
100	16	233100	278	80	220.0	180.0	18.0	171	54	300	15.5
125	16	233125	400	100	250.0	210.0	18.0	220	68	325	21.0
150	16	233150	600	125	285.0	240.0	22.0	240	74	350	25.0
200	16	233200	870	150	340.0	295.0	22.0	281	92	400	50.0
250	16	233250	1200	200	405.0	355.0	26.0	343	108	550	90.0