

# Steel ball valves, full bore

154xx1 series, flange / flange, DN 100-400, full bore

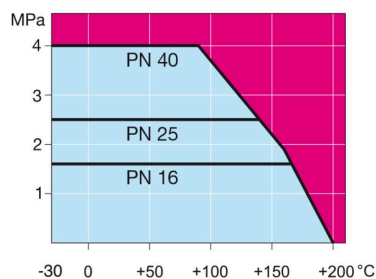
Body	DN 100-400 Steel, P235GH (1.0345)
Ball	DN 100-400 Stainless steel, X5CrNi18-10 (1.4301)
Ball seal	DN 100-400 PTFE+C
Stem	DN 100-400 Stainless steel, X8CrNiS18-9 (1.4305)
Stem seal	DN 100-400 FPM
Operation	DN 100-400 Valve is equipped with manual gear
Flanges	EN 1092-1 Available PN 10, 16, 25, 40



## Operation conditions

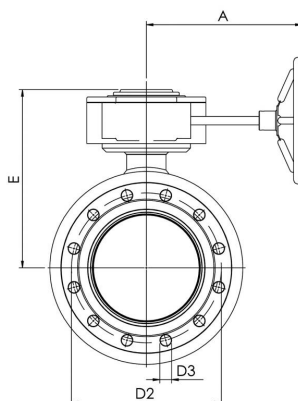
-20 °C – +200 °C  
Below -20 °C contact manufacturer  
Lowest allowed ambient temperature -40 °C

Leakage rate A (EN 12266-1)

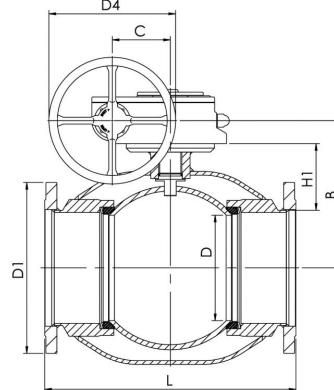


Not for steam

DN 100-400



DN 100-400



DN	PN	Product no.	A	B	C	D	D1	D2	D3	D4	E	H1	L	kg
100	16	154101	224	216	53	100	220.0	180.0	18.0	200.0	258	124	350	31.0
125	16	154126	224	236	53	125	250.0	210.0	18.0	200.0	279	132	375	39.0
150	16	154151	268	244	69	150	285.0	240.0	22.0	250.0	293	117	515	67.0
200	16	154201	301	294	97	200	340.0	295.0	22.0	300.0	345	135	560	138.0
250	16	154251	363	343	118	250	405.0	355.0	26.0	500.0	412	158	595	165.0
300	16	154301	363	418	118	290	460.0	410.0	26.0	500.0	487	206	716	260.0
350	16	154351	440	500	138	340	520.0	470.0	26.0	500.0	573	266	802	360.0
400	16	154401	471	576	180	390	580.0	525.0	30.0	500.0	648	306	1140	680.0