

# Steel ball valves, full bore

153 series, flange / flange, DN 50-400, full bore

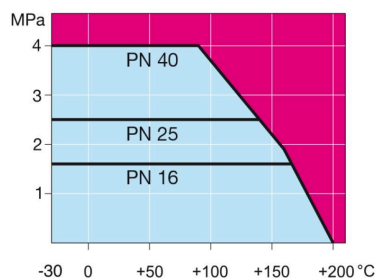
Body	DN 50-400 Steel, P235GH (1.0345)
Ball	DN 50-400 Stainless steel, X5CrNi18-10 (1.4301)
Ball seal	DN 50-400 PTFE+C
Stem	DN 50-400 Stainless steel, X8CrNiS18-9 (1.4305)
Stem seal	DN 50-400 FPM
Operation	DN 50-200 With zinc-plated steel handle DN 250-400 Valves are available with manual gear or with an electric or hydraulic actuator
Flanges	EN 1092-1 Available PN 10, 16, 25, 40



## Operation conditions

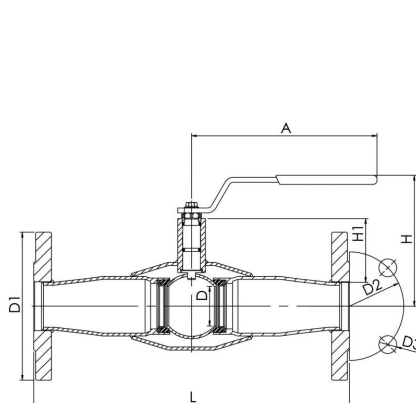
-20 °C – +200 °C  
Below -20 °C contact manufacturer  
Lowest allowed ambient temperature -40 °C

Leakage rate A (EN 12266-1)

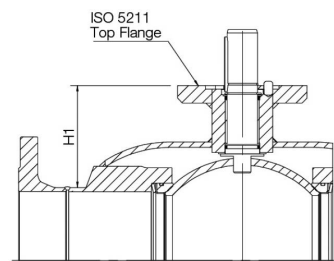


Not for steam

DN 50-125



DN 150-400



DN	PN	Product no.	A	D	D1	D2	D3	H	H1	L	kg
50	25	153050	278	50	165.0	125.0	18.0	158	70	320	9.5
65	16	153065	278	65	185.0	145.0	18.0	171	74	325	13.5
80	16	153080	279	80	200.0	160.0	18.0	218	114	350	19.0
100	16	153100	400	100	220.0	180.0	18.0	253	113	350	27.0
125	16	153125	600	125	250.0	210.0	18.0	272	121	375	34.0
150	16	153150	870	150	285.0	240.0	22.0	281	117	515	65.0
200	16	153200	1200	200	340.0	295.0	22.0	343	135	560	120.0
250	16	153250		250	405.0	355.0	26.0		158	595	166.0
300	16	153300		290	460.0	410.0	26.0		206	716	220.0
350	16	153350		340	520.0	470.0	26.0		267	802	350.0
400	16	153400		390	580.0	525.0	30.0		306	1140	610.0