

Steel ball valves, reduced bore

104xx1 series, flange / flange, DN 100-500, reduced bore

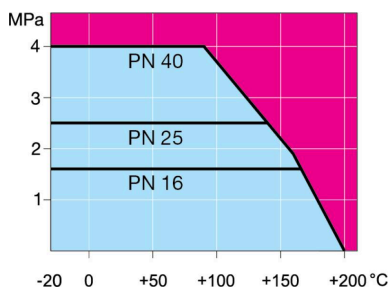
Body	DN 100-500 Steel, P235GH (1.0345)
Ball	DN 100-500 Stainless steel, X5CrNi18-10 (1.4301)
Ball seal	DN 100-500 PTFE+C
Stem	DN 100-500 Stainless steel, X8CrNiS18-9 (1.4305)
Stem seal	DN 100-500 FPM
Operation	DN 100-500 Valve is equipped with manual gear
Flanges	EN 1092-1 Available PN 10, 16, 25, 40



Operation conditions

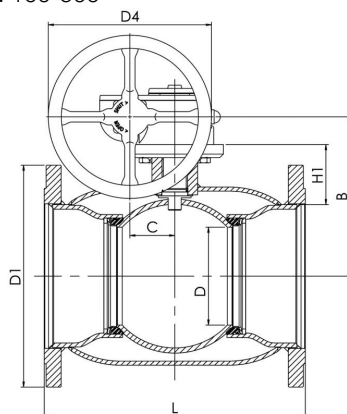
-20 °C – +200 °C
Below -20 °C contact manufacturer
Lowest allowed ambient temperature -40 °C

Leakage rate A (EN 12266-1)

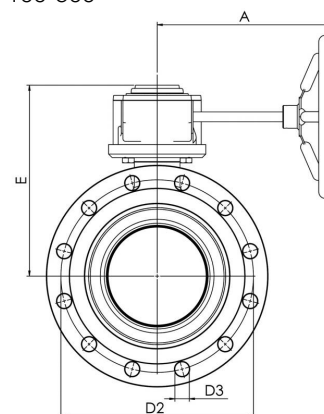


Not for steam

DN 100-500



DN 100-500



DN	PN	Product no.	A	B	C	D	D1	D2	D3	D4	E	H1	L	kg
100	16	104101	186	206	53	80	220.0	180.0	18.0	125.0	248	114	300	23.0
125	16	104126	224	216	53	100	250.0	210.0	18.0	200.0	258	112	325	30.0
150	16	104151	224	236	53	125	285.0	240.0	22.0	200.0	279	118	350	37.0
200	16	104201	268	244	69	150	340.0	295.0	22.0	250.0	293	92	400	68.0
250	16	104251	301	294	97	200	405.0	355.0	26.0	300.0	345	108	500	122.0
300	16	104301	363	343	118	250	460.0	410.0	26.0	500.0	412	115	500	190.0
350	16	104351	363	418	118	290	520.0	470.0	26.0	500.0	487	192	706	268.0
400	16	104401	444	500	138	340	580.0	525.0	30.0	500.0	573	242	810	365.0
500	16	104501	475	577	180	390	715.0	650.0	33.0	500.0	648	259	978	595.0