

Tender specification:

Oventrop "Y" type strainers PN 16 for fluids, gas and steam up to 150 °C (max. working temperature according to DIN 2401), water and steam, mineral-, heating- and hydraulic oils, diesel oil, gas and air as well as all non-aggressive media.

Sizes DN 8 - DN 50: Bronze body according to DIN 1705 standard, brass bonnet.

Sizes DN 65 and DN 80: Brass body and bonnet according to DIN 1760 standard.

Wire basket made of stainless chromium steel.

Item no. 112 00: mesh size 0.6 mm; 100 meshes/cm²

Item no. 112 10: mesh size 0.25 mm; 600 meshes/cm²

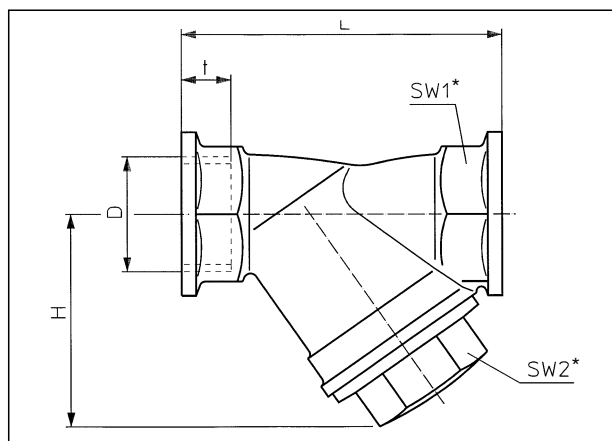
Sizes DN 10, DN 15 and DN 20 also suitable for compression fittings.

Function:

Oventrop "Y" type strainers protect the pipework from harmful impurity, increase the service life of regulation and isolating valves and therefore prevent the premature breakdown of machines and appliances.

For this reason, it is recommended to install Oventrop "Y" type strainers in every installation for hot or cold water, for oil, gas, coolant etc. The strainer can be either installed vertically or horizontally, but the direction of flow always has to be observed. To facilitate straining, the wire basket should be in a downward position in case of vertical installation. Two mesh sizes are available for the wire baskets: 0.6 mm = 100 meshes/cm² or 0.25 mm = 600 meshes/cm² for fine filtering. The wire baskets are exchangeable.

Dimensions:



Advantages:

Due to the body being made of bronze and the wire basket of stainless chromium steel, Oventrop "Y" type strainers are corrosion-resistant and maintenance-free (apart from heavily polluted media which necessitates a cleaning of the wire basket from time to time).

Oventrop "Y" type strainers have a high capacity of absorption. The surface of the wire basket corresponds to a multiple of the flow cross-section. Should a cleaning of the wire basket become necessary, this is easily done. Wire baskets for replacement are available for all dimensions.

Oventrop "Y" type strainers are always profitable as the low installation costs are out of all proportion compared to the high repair costs of equipment.

Dimensions and item no's:

DN	D	L	t	H	SW1*	SW2*	Weight in g	Item No.	Item No.
8	1/4"	56	11	35	21	17	160	112 00 02	112 10 02
10	3/8" DIN 2999	63.5	10.1	35	22	17	150	112 00 03	112 10 03
15	1/2" DIN 2999	66.5	13.2	42	27	22	210	112 00 04	112 10 04
20	3/4" DIN 2999	76.5	14.5	50	32	27	355	112 00 06	112 10 06
25	1"	90	15	62	38	32	610	112 00 08	112 10 08
32	1 1/4"	112	18	78	47	41	875	112 00 10	112 10 10
40	1 1/2"	120	18	82	54	46	1225	112 00 12	112 10 12
50	2"	150	22	95	66	56	1885	112 00 16	112 10 16
65	2 1/2"	220	23	125	85	70	3520	112 00 20	112 10 20
80	3"	243	26	140	100	75	5110	112 00 24	112 10 24

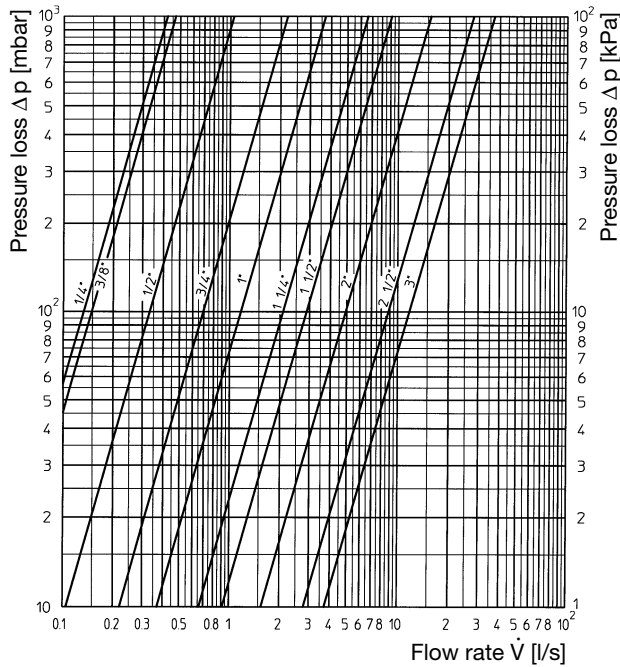
Item no. 112 00 . . with mesh size 0.6 mm; item no. 112 10 . . with mesh size 0.25 mm

* SW = spanner size

"Y" type strainer 112 00

(values with water as flow medium)

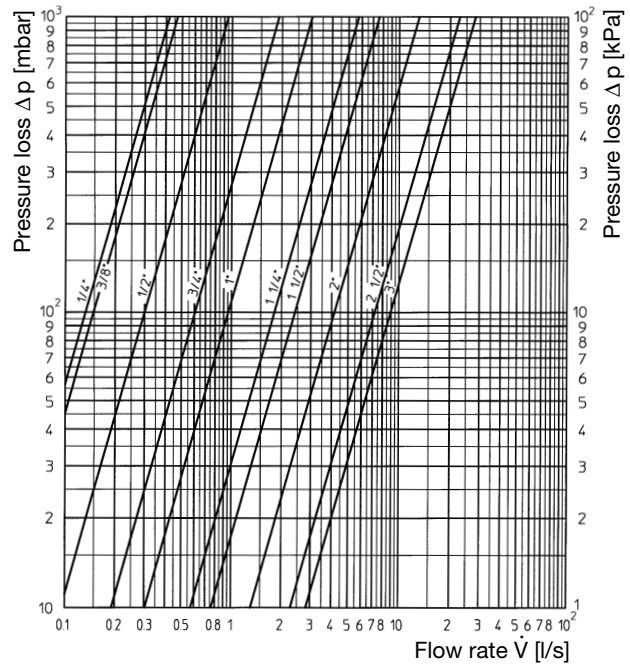
Mesh size 0.6 mm; 100 meshes /cm²



"Y" type strainer 112 10

(values with water as flow medium)

Mesh size 0.25 mm; 600 meshes /cm²



Dim.	di/mm	"Y" type strainer 112 00 with water as flow medium		"Y" type strainer 112 10 with water as flow medium	
		k _v	Zeta	k _v	Zeta
1/4"	8.8	1.5	4.3	1.4	5.0
3/8"	12.5	1.7	13.2	1.6	14.7
1/2"	16.0	3.8	7.2	3.4	9.2
3/4"	21.6	7.8	5.8	6.9	7.4
1"	27.2	13.4	4.9	10.9	7.3
1 1/4"	35.9	23.9	4.7	20.7	6.2
1 1/2"	41.8	32.5	4.6	27.4	6.5
2"	53.0	56.2	4.0	47.3	5.6
2 1/2"	68.8	101.3	3.5	82.1	5.3
3"	80.8	133.6	3.8	102.0	6.6

Zeta values related to the inside diameter of the pipe to BS 1387 medium - identical with DIN 2440.

k_v-values in m³/h with Δp 1 bar.

Replacement wire baskets:

Wire basket

(mesh size 0.6 mm)

1/4"	112 30 02
3/8"	112 30 03
1/2"	112 30 04
3/4"	112 30 06
1"	112 30 08
1 1/4"	112 30 10
1 1/2"	112 30 12
2"	112 30 16
2 1/2"	112 30 20
3"	112 30 24

Double wire basket

(mesh size 0.25 mm)

1/4"	112 31 02
3/8"	112 31 03
1/2"	112 31 04
3/4"	112 31 06
1"	112 31 08
1 1/4"	112 31 10
1 1/2"	112 31 12
2"	112 31 16
2 1/2"	112 31 20
3"	112 31 24

Subject to technical modification without notice.

Product range 5
ti 20-1/10/1.98/MW