



# resideo Strainers

## Braukmann FY30

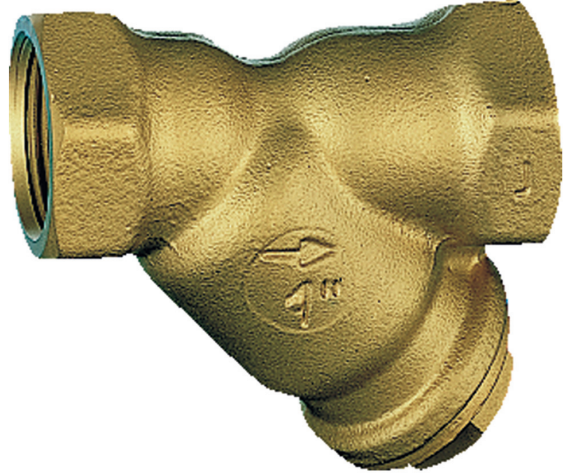
Brass Y-strainer  
with threaded female connections

### APPLICATION

FY30 strainers are used in commercial and industrial applications within the limits of their specifications. They protect systems against malfunction and corrosion damage resulting from the ingress of foreign bodies such as welding beads, sealing materials, metal cuttings and rust etc. This extends the life of the downstream system and prevents early failure.

### SPECIAL FEATURES

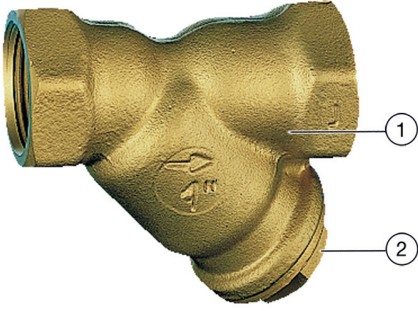
- Low flow resistance because of good dynamic flow design of body
- Brass and stainless steel construction gives good corrosion resistance
- Two different mesh sizes available
- Sieves are interchangeable
- Large strainer mesh surface area provides high dirt acceptance capacity
- Sieve carrier ensures good sealing within housing
- Easy removal of sieve for cleaning



### TECHNICAL DATA

Media	
Medium:	Water, oil, compressed air and other non-aggressive mediums
Connections/Sizes	
Connection sizes:	3/8" - 2"
Pressure values	
Max. operating pressure:	16 bar
Operating temperatures	
Max. operating temperature medium:	160 °C
Specifications	
Installation position:	In horizontal or vertical pipework with blanking plug downwards

## CONSTRUCTION

Overview	Components	Materials
	<b>1</b> Housing with female threads and hexagonal ends	Dezincification-resistant brass
	<b>2</b> Blanking plug with sieve holder and hexagonal head	Dezincification-resistant brass
	<b>Not depicted components:</b>	
	Double sieve with mesh size approximately 0.35 mm or 0.18 mm and with mesh carrier	Stainless steel
Disc seal ring	Gambit AF-Oil	

## METHOD OF OPERATION

The medium flows in the direction of the arrow through the FY30 and passes through the large surface double sieve from inside to outside. Dirt particles are trapped and collected by the double sieve. Accumulated dirt particles can then easily be removed during programmed cleaning of the strainer.

## TRANSPORTATION AND STORAGE

Keep parts in their original packaging and unpack them shortly before use.

The following parameters apply during transportation and storage:

Parameter	Value
Environment:	clean, dry and dust free
Min. ambient temperature:	5 °C
Max. ambient temperature:	55 °C
Min. ambient relative humidity:	25 % *
Max. ambient relative humidity:	85 % *

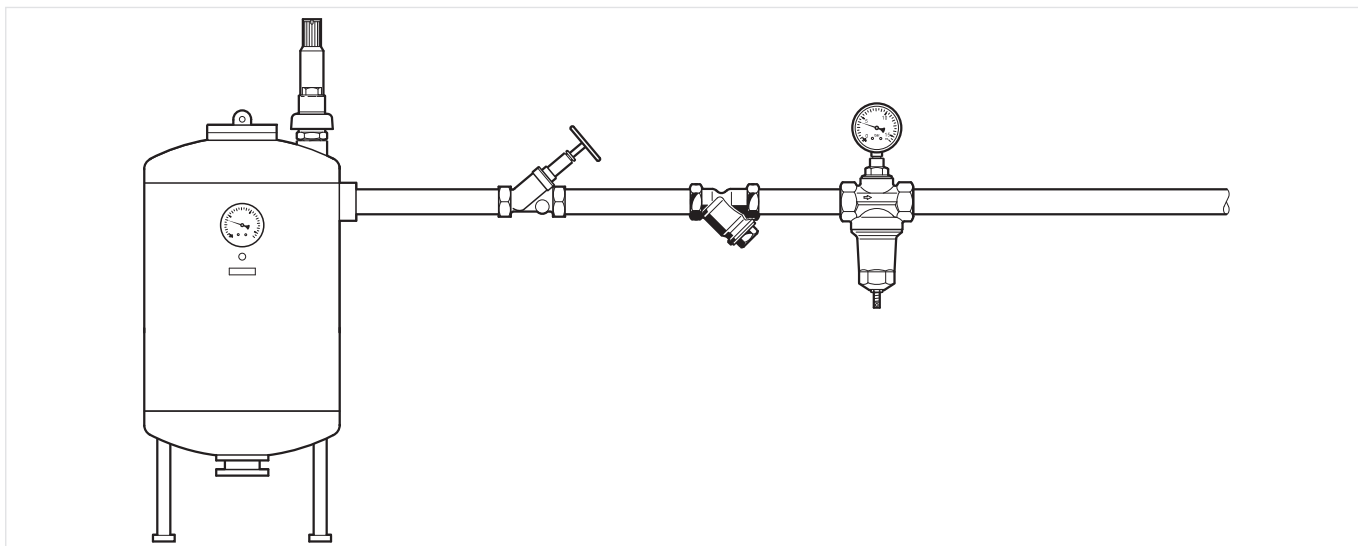
\*non condensing

## INSTALLATION GUIDELINES

### Setup requirements

- If possible install in horizontal pipework with blanking plug downwards
  - This position ensures optimum cleaning efficiency
  - Where installed in rising pipework dirt particles will not collect in strainer
- Install shut-off valves
  - Enables fast cleaning of the strainer
- Ensure good access
  - So that the sieve can be easily removed
  - Simplified maintenance and cleaning

## Installation Example



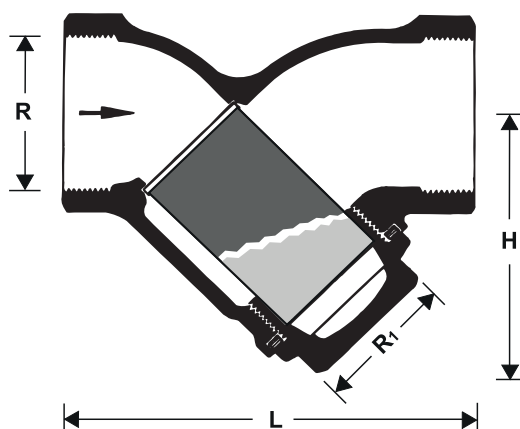
## TECHNICAL CHARACTERISTICS

### Zeta-Values

Connection sizes:	10	15	20	25	32	40	50
Zeta-value	14.7	9.2	7.4	7.3	6.2	6.5	5.6

## DIMENSIONS

### Overview



Parameter		Values							
Connection sizes:	Inch	3/8"	1/2"	3/4"	1"	1 1/4"	1 1/2"	2"	
Nominal sizes:	DN	10	15	20	25	32	40	50	
Weight:	kg	0.14	0.25	0.36	0.64	0.85	1.33	2.13	
Dimensions:	L	55	65	75	90	110	120	150	
	H	33	44	70	62	67	83	98	
	R <sub>1</sub>	3/8"	1/2"	3/4"	1"	1 1/8"	1 1/4"	1 3/4"	

Note: All dimensions in mm unless stated otherwise.

## ORDERING INFORMATION

The following tables contain all the information you need to make an order of an item of your choice. When ordering, please always state the type, the ordering or the part number.

### Options

The strainers are available in the following sizes: 3/8", 1/2", 3/4", 1", 1 1/4", 1 1/2" and 2".

- standard
- not available

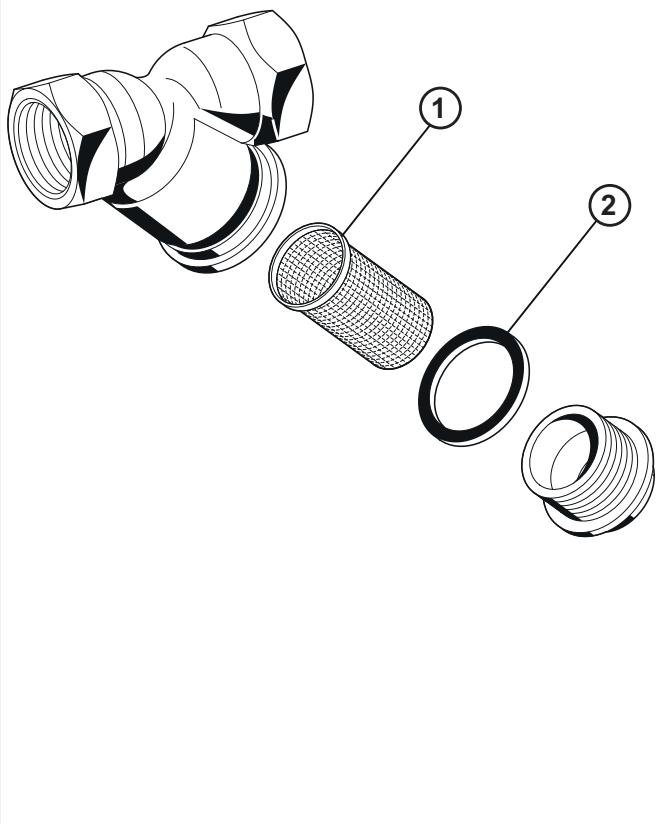
		FY30-...A	FY30-...B
Connection type:	with double sieve, mesh size approx. 0.35 mm	•	-
	with double sieve, mesh size approx. 0.18 mm	-	•

Note: ... = space holder for connection size

Note: Ordering number example for 1" and type A valve: FY30-1A

### Spare Parts

FY30 Strainers

Overview	Description	Dimension	Part No.	
	<b>1 Replacement sieve Mesh size 0.35 mm</b>			
		3/8"	ES30-3/8A	
		1/2"	ES30-1/2A	
		3/4"	ES30-3/4A	
		1"	ES30-1A	
		1 1/4"	ES30-11/4A	
		1 1/2"	ES30-11/2A	
		2"	ES30-2A	
		<b>Replacement sieve Mesh 0.18 mm</b>		
		3/8"	ES30-3/8B	
		1/2"	ES30-1/2B	
		3/4"	ES30-3/4B	
		1"	ES30-1B	
		1 1/4"	ES30-11/4B	
		1 1/2"	ES30-11/2B	
		2"	ES30-2B	
		<b>2 Sealing ring</b>		
		3/8"	5783600	
		1/2"	2221300	
		3/4"	5017600	
	1"	5018000		
	1 1/4"	5018500		
	1 1/2"	5019100		
	2"	5021400		



Manufactured for  
and on behalf of  
Pittway Sàrl, Z.A., La Pièce 4,  
1180 Rolle, Switzerland  
by its authorised representative  
Ademco 1 GmbH

For more information  
[homecomfort.resideo.com/europe](http://homecomfort.resideo.com/europe)  
Ademco 1 GmbH, Hardhofweg 40,  
74821 MOSBACH, GERMANY  
Phone: +49 6261 810  
Fax: +49 6261 81309