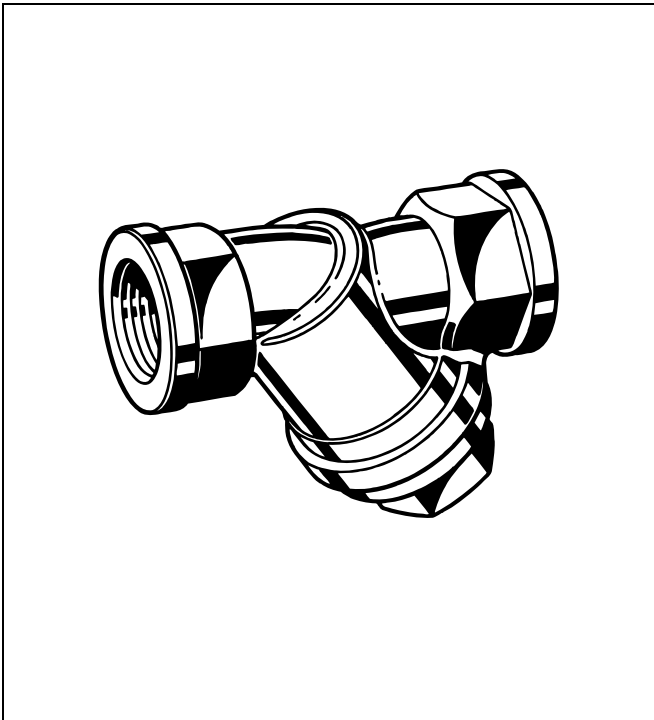


FY32

Red-bronze Y-strainer with threaded female connections

Product specification sheet



Construction

The strainer comprises:

- Housing with female threads and hexagonal ends
- Double sieve with mesh size approximately 0.25 mm and with mesh carrier
- Blanking plug with sieve holder and hexagonal head
- Disc seal ring

Materials

- Red bronze housing
- Stainless steel double sieve
- Dezincification resistant brass blanking plug

Application

FY32 strainers are used in commercial and industrial applications within the limits of their specifications.

They protect systems against malfunction and corrosion damage resulting from the ingress of foreign bodies such as welding beads, sealing materials, metal cuttings and rust etc. This extends the life of the downstream system and prevents early failure.

Special Features

- Low flow resistance because of good dynamic flow design of body
- Brass and stainless steel construction gives good corrosion resistance
- Large strainer mesh surface area provides high dirt acceptance capacity
- Sieve carrier ensures good sealing within housing
- Easy removal of sieve for cleaning

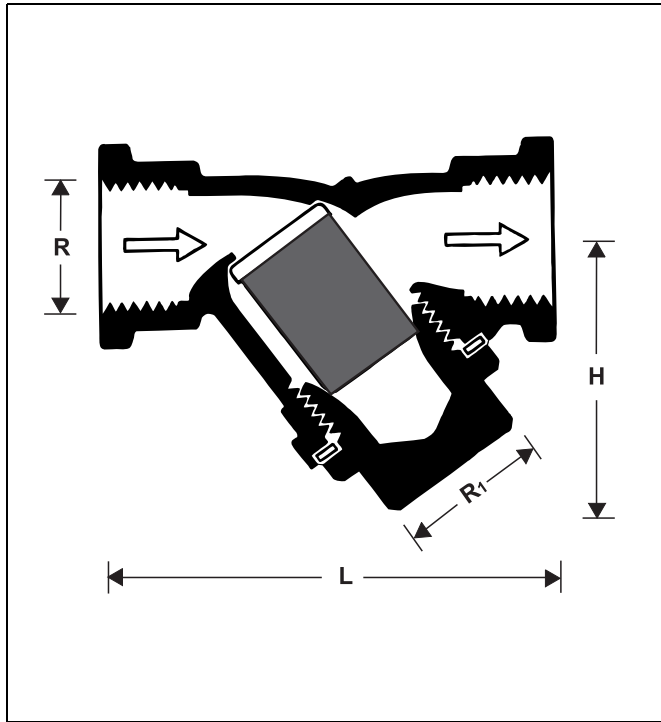
Range of Application

Medium Water, oil, compressed air, steam and other non-aggressive mediums

The filter is constructed for drinking water installations. In case of a process water application the filter has to be proven individually.

Technical Data

Installation position	In horizontal or vertical pipework with blanking plug downwards
Operating pressure	Maximum 16.0 bar for water, oil and compressed air Maximum 4.0 bar for steam
Operating temperature	Maximum 150 °C
Connection size	1/4" - 2"



Method of Operation

The medium flows in the direction of the arrow through the FY32 and passes through the large surface double sieve from inside to outside. Dirt particles are trapped and collected by the double sieve. Accumulated dirt particles can then easily be removed during programmed cleaning of the strainer.

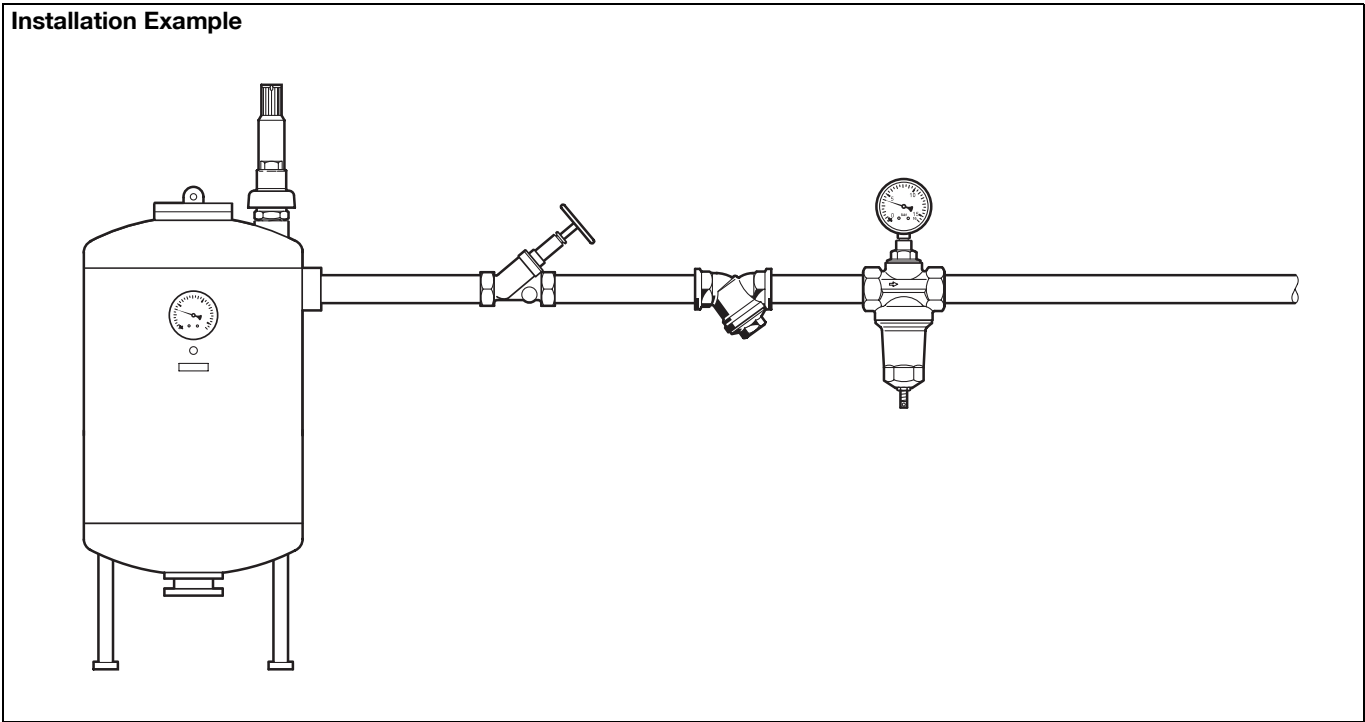
Options

FY32-...C = With double sieve, mesh size approx. 0.25 mm


 Connection size

Connection size	R	1/4"	3/8"	1/2"	3/4"	1"	1 1/4"	1 1/2"	2"
Nominal size DN	mm	8	10	15	20	25	32	40	50
Weight	approx. kg	0.16	0.15	0.21	0.36	0.61	0.88	1.25	1.9
Dimensions	mm								
	L	56	64	67	77	90	112	120	150
	H	32	32	36	45	58	70	72	92
	R1	1/2"	1/2"	3/4"	1"	1 1/4"	1 3/4"	2"	2 1/2"
Zeta value		5.0	14.7	9.2	7.4	7.3	6.2	6.5	5.6

Installation Example



Installation Guidelines

- If possible install in horizontal pipework with blanking plug downwards
 - o This position ensures optimum cleaning efficiency
 - o Where installed in rising pipework dirt particles will not collect in strainer
- Install shutoff valves
 - o Enables fast cleaning of the strainer
- Ensure good access
 - o So that the sieve can be easily removed
 - o Simplified maintenance and cleaning

Typical Applications

Strainers of this type are essential on inlet pipework to appliances and systems. They can be used for commercial and industrial applications within the limits of their specifications.

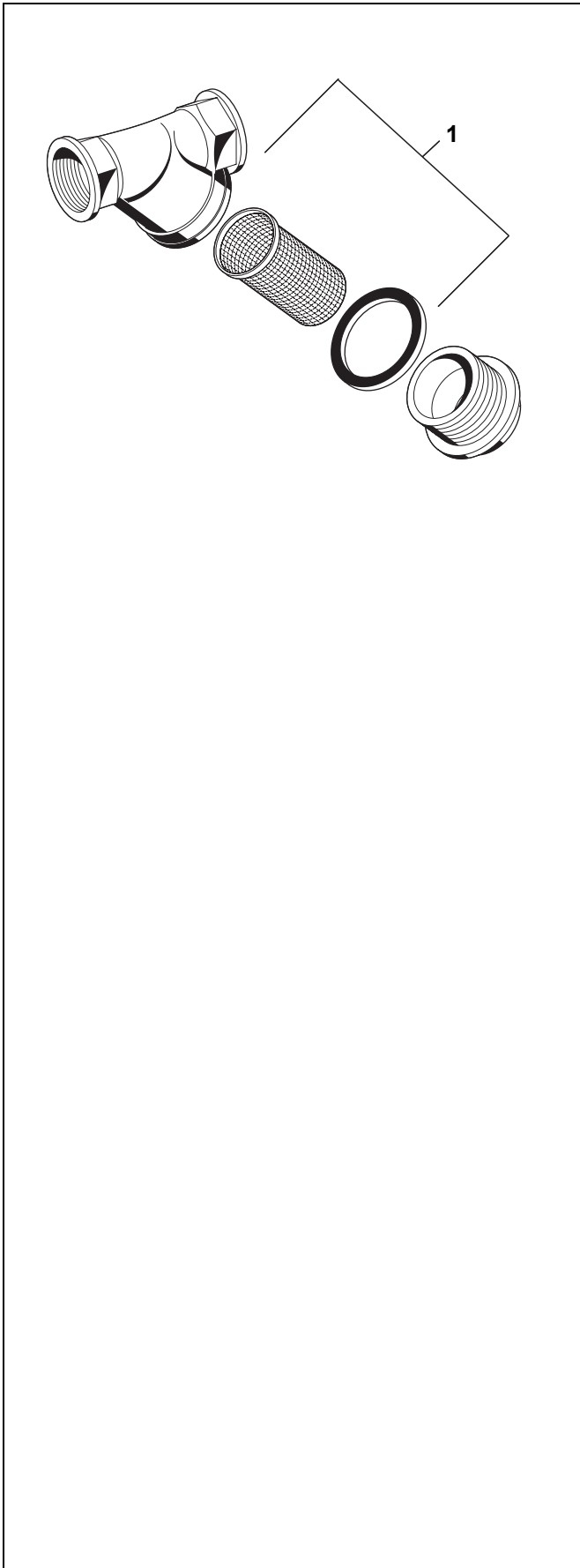
Strainers must be fitted:

- Where the presence of dirt can cause premature wear in machines or systems
- Where it is possible that appliances or systems can become blocked
- Where the ingress of dirt particles can cause corrosion

Inspection and Maintenance

DIN 1988, Part 8 specifies that the following operations be carried out regularly. A scheduled maintenance scheme is recommended.

	Operation	Interval	Carried out by
Inspection	Inspection of the location and water tightness of sieve insert and sealing ring	According to operating conditions	User or specialist
Maintenance	Cleaning or if necessary replacement of sieve Cleaning and if necessary replacement of the sealing ring	According to operating conditions	User or specialist



**Spare Parts
FY32 Strainers**

No.	Description	Dimension	Part No.
1	Replacement sieve	3/8"	ES32-3/8C
	with sealing ring	1/2"	ES32-1/2C
	Mesh size	3/4"	ES32-3/4C
	0.25 mm	1"	ES32-1C
		1 1/4"	ES32-1 1/4C
		1 1/2"	ES32-1 1/2C
		2"	ES32-2C

Automation and Control Solutions

Honeywell GmbH
 Hardhofweg
 D-74821 Mosbach
 Phone: (49) 6261 810
 Fax: (49) 6261 81309
<http://europe.hbc.honeywell.com>
www.honeywell.com

Manufactured for and on behalf of the
 Environmental and Combustion Controls Division
 of Honeywell Technologies Sàrl, Rolle, Z.A. La
 Pièce 16, Switzerland by its Authorised Repre-
 sentative Honeywell GmbH

EN0H-1123GE23 R1009
 Subject to change without notice
 © 2009 Honeywell GmbH

Honeywell