



resideo Strainers

Braukmann FY32

Red-bronze Y-strainer

with threaded female connections

APPLICATION

FY32 strainers are used in commercial and industrial applications within the limits of their specifications.

They protect systems against malfunction and corrosion damage resulting from the ingress of foreign bodies such as welding beads, sealing materials, metal cuttings and rust etc. This extends the life of the downstream system and prevents early failure.

SPECIAL FEATURES

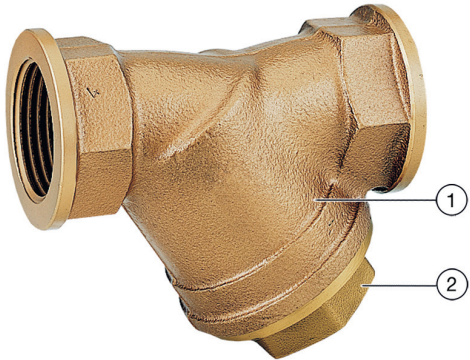
- Low flow resistance because of good dynamic flow design of body
- Brass and stainless steel construction gives good corrosion resistance
- Large strainer mesh surface area provides high dirt acceptance capacity
- Sieve carrier ensures good sealing within housing
- Easy removal of sieve for cleaning



TECHNICAL DATA

Media	
Medium:	Water, oil, compressed air and other non-aggressive mediums
Connections/Sizes	
Connection sizes:	1/4" - 2"
Pressure values	
Max. operating pressure:	16 bar for water, oil and compressed air
Operating temperatures	
Max. operating temperature medium:	150 °C
Specifications	
Installation position:	In horizontal or vertical pipework with blanking plug downwards

CONSTRUCTION

Overview	Components	Materials
	1 Housing with female threads and hexagonal ends	Red bronze
	2 Blanking plug with sieve holder and hexagonal head	Dezincification-resistant brass
	Not depicted components:	
Double sieve with mesh size approximately 0.25 mm and with mesh carrier	Stainless steel	

METHOD OF OPERATION

The medium flows in the direction of the arrow through the FY32 and passes through the large surface double sieve from inside to outside. Dirt particles are trapped and collected by the double sieve. Accumulated dirt particles can then easily be removed during programmed cleaning of the strainer.

TRANSPORTATION AND STORAGE

Keep parts in their original packaging and unpack them shortly before use.

The following parameters apply during transportation and storage:

Parameter	Value
Environment:	clean, dry and dust free
Min. ambient temperature:	5 °C
Max. ambient temperature:	55 °C
Min. ambient relative humidity:	25 % *
Max. ambient relative humidity:	85 % *

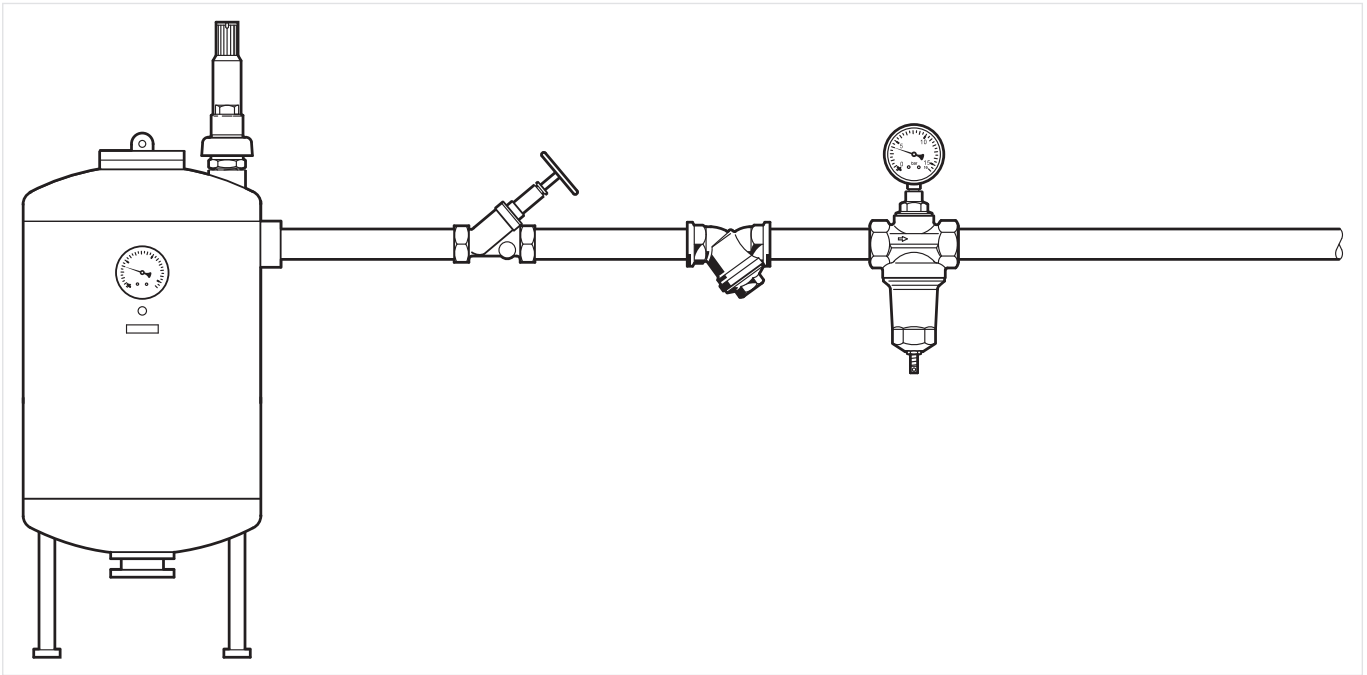
*non condensing

INSTALLATION GUIDELINES

Setup requirements

- If possible install in horizontal pipework with blanking plug downwards
 - This position ensures optimum cleaning efficiency
 - Where installed in rising pipework dirt particles will not collect in strainer
- Install shut-off valves
 - Enables fast cleaning of the strainer
- Ensure good access
 - So that the sieve can be easily removed
 - Simplified maintenance and cleaning

Installation Example



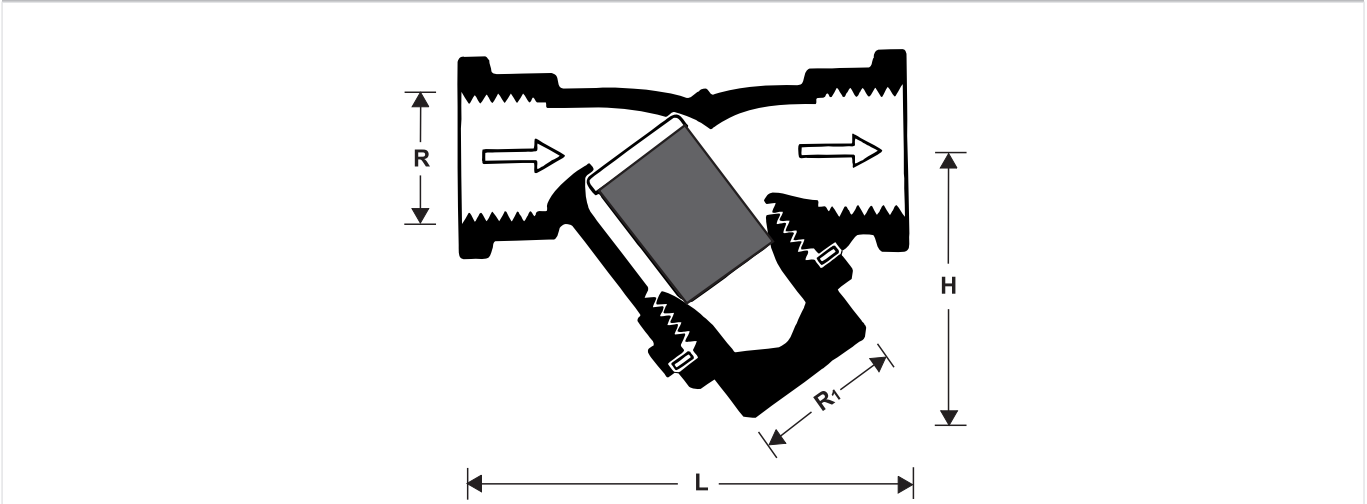
TECHNICAL CHARACTERISTICS

Zeta-Values

Connection sizes:	8	10	15	20	25	32	40	50
Zeta-value	5.0	14.7	9.2	7.4	7.3	6.2	6.5	5.6

DIMENSIONS

Overview



Parameter		Values							
Connection sizes:	R	1/4"	3/8"	1/2"	3/4"	1"	1 1/4"	1 1/2"	2"
Nominal sizes:	DN	8	10	15	20	25	32	40	50
Weight:	kg	0.16	0.15	0.21	0.36	0.61	0.88	1.25	1.9
Dimensions:	L	56	64	67	77	90	112	120	150
	H	32	32	36	45	58	70	72	92
	R ₁	1/2"	1/2"	3/4"	1"	1 1/4"	1 3/4"	2"	2 1/2"

Note: All dimensions in mm unless stated otherwise.

ORDERING INFORMATION

The following tables contain all the information you need to make an order of an item of your choice. When ordering, please always state the type, the ordering or the part number.

Options

The strainers are available in the following sizes: 1/4", 3/8", 1/2", 3/4", 1", 1 1/4", 1 1/2" and 2".

- standard
- not available

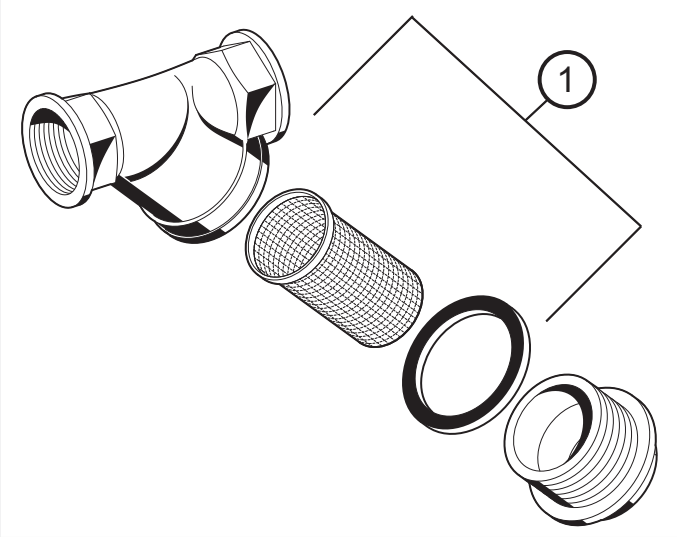
		FY32-...C
Connection type:	with double sieve, mesh size approx. 0.25 mm	•

Note: ... = space holder for connection size

Note: Ordering number example for 1" and type C valve: FY32-1C

Spare Parts

FY32 Strainers

Overview	Description	Dimension	Part No.
	1 Replacement sieve with sealing ring, Mesh 0.25 mm		
		3/8"	ES32-3/8C
		1/2"	ES32-1/2C
		1"	ES32-1C
		1 1/4"	ES32-1 1/4C
		1 1/2"	ES32-1 1/2C
		2"	ES32-2C



Manufactured for
and on behalf of
Pittway Sàrl, Z.A., La Pièce 4,
1180 Rolle, Switzerland
by its authorised representative
Ademco 1 GmbH

For more information
homecomfort.resideo.com/europe
Ademco 1 GmbH, Hardhofweg 40,
74821 MOSBACH, GERMANY
Phone: +49 6261 810
Fax: +49 6261 81309