



PTY-20

**STRAINERS**

## GENERAL FEATURES

AYVAZ Y Type Strainers have a wide range of applications to filter out foreign materials in pipelines. PTY-20 Y Type Strainer is designed for long-lasting and healthy operation of many equipment in the system.

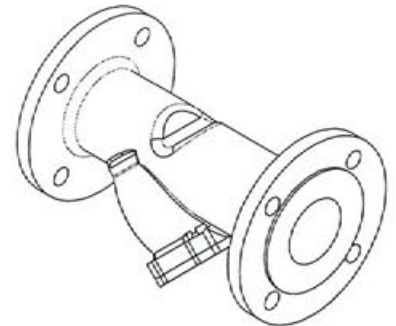
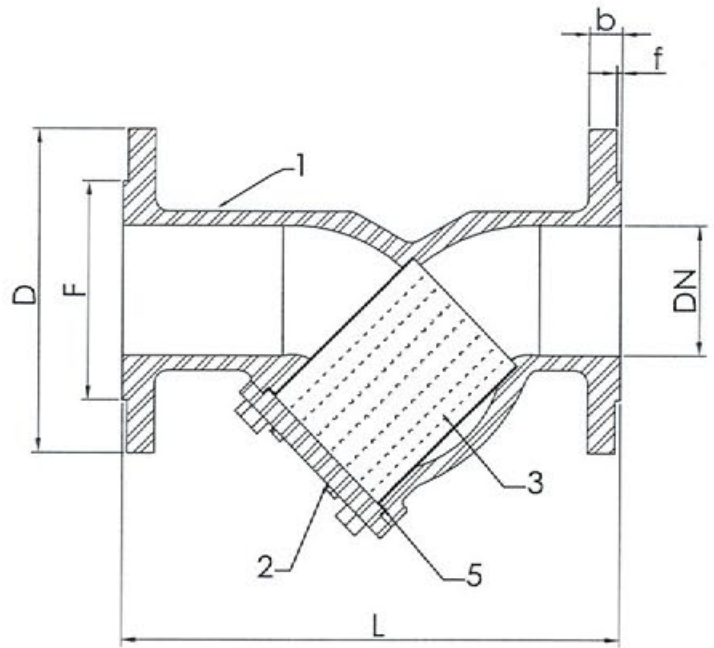
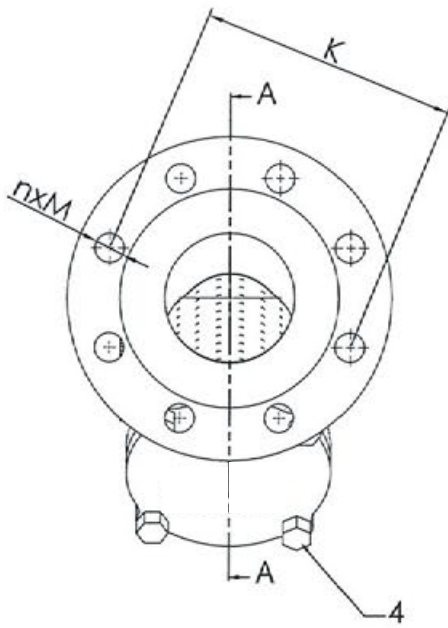
Fluids like liquids, gases and vapors transmitted in the systems lead some undesirable substances. These foreign materials can be seen in the form of rust, lime, welding slag. These materials can damage the armatures on the system. To protect these armatures in the system, a strainer should be used in front of each fixture.

### Application Areas:

- Steam, water, compressed air, gas, oil and chemical fluids
- They are used to protect the armatures by filtering foreign materials in the system. It must be used before sensitive equipment such as pressure reducing valve, steam meter, control valves, steam trap.

<b>Body and Cover</b>	: GG.25 Cast Iron
<b>Filter</b>	: AISI 304 Stainless Steel
<b>Gasket</b>	: Graphite
<b>Bolt</b>	: 5.6
<b>Max. Working Temp.</b>	: 180 °C
<b>Max. Working Pressure</b>	: 16 bar

# PTY-20 STRAINERS



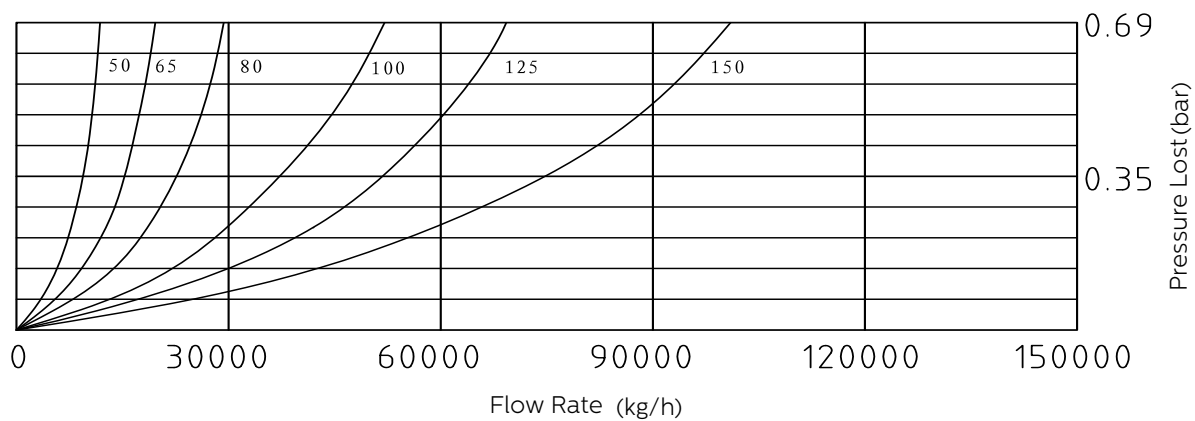
No	Part	Material
1	Body	GG25 Cast Iron
2	Cover	GG25 Cast Iron
3	Filter	AISI 304 Stainless Steel
4	Bolt	5.6
5	Gasket	Graphite

DN(mm)	D	K	F	L	f	b	nxM
15	95	65	46	130	2	14	4x14
20	105	75	56	150	2	16	4x14
25	115	85	65	160	2	16	4x14
32	140	100	76	180	2	18	4x19
40	150	110	84	200	3	18	4x19
50	165	125	99	230	3	20	4x19
65	185	145	118	290	3	20	4x19
80	200	160	130	310	3	22	8x19
100	220	180	156	350	3	24	8x19
125	250	210	184	400	3	26	8x19
150	285	240	211	480	3	26	8x23
200	340	295	266	600	3	30	12x23
250	405	355	319	730	3	32	12x28
300	460	410	370	830	3	32	12x28

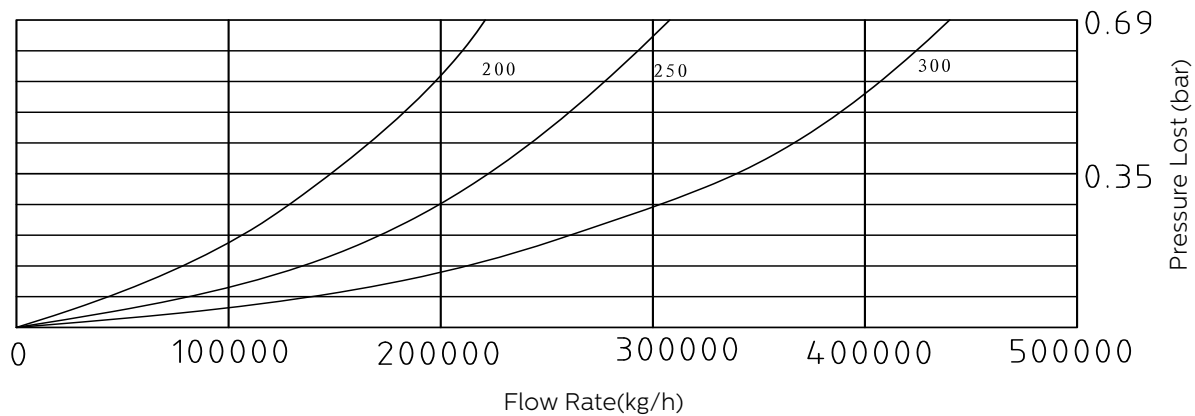
# PTY-20 STRAINERS

---

## 50mm-150mm



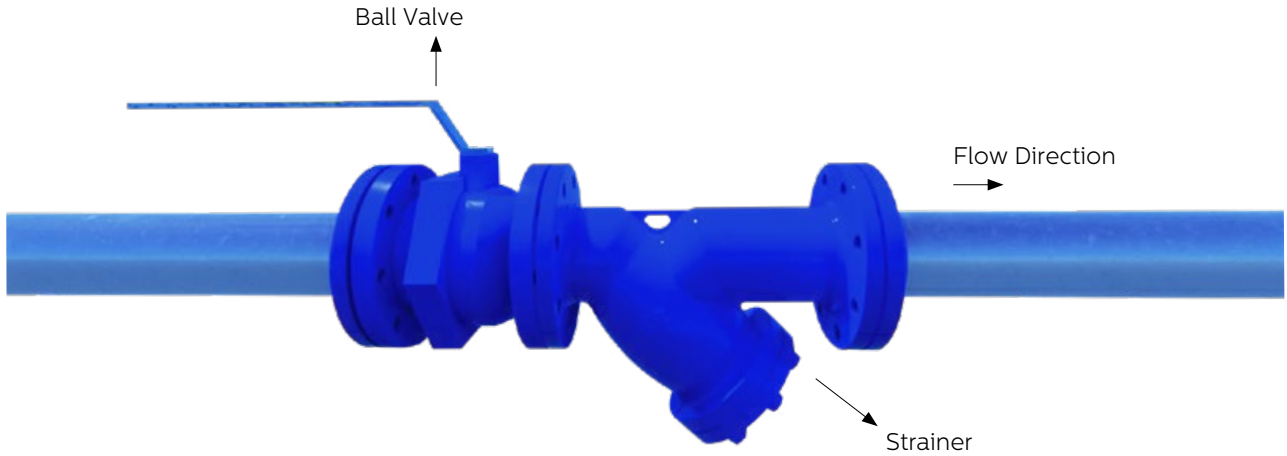
## 200mm-300mm



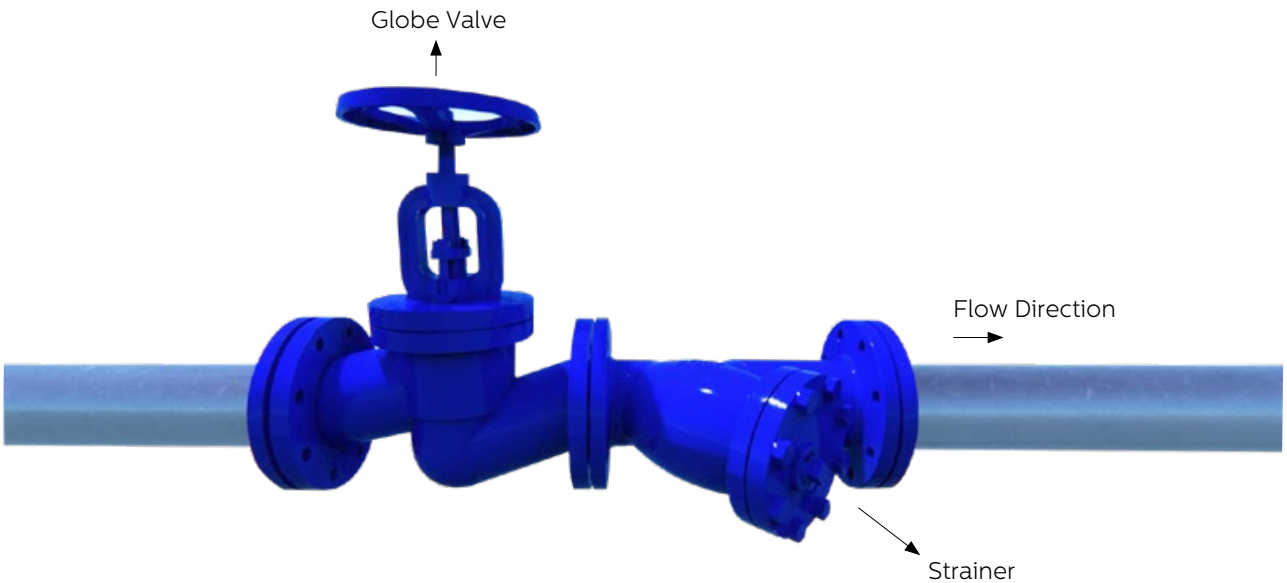
1 gpm : 0,00378 m<sup>3</sup>  
1 psi : 0,006895 bar  
1 bar : 100 kpa

# PTY-20 STRAINERS

## INSTALLATION



-It should install as seen above in cold water, hot water and similar fluids.



-The direction of the strainer on the steam lines should be horizontal as shown. If it is placed vertically, because of the condensation there will be condensate and that causes water hammer.



### HEAD OFFICE - FACTORY

Atatürk Sanayi Bölgesi Hadımköy Mahallesi Mustafa İnan Caddesi No: 44 Arnavutköy - İSTANBUL  
 Tel: +90 212 771 01 45 (pbx) | Fax: +90 212 771 47 27  
 info@ayvaz.com | www.ayvaz.com

#### Cona Caserta/Italy

Tel: +39 0823 187 3988  
 rmolaro@ayvaz.com

#### Ayvaz Germany Ningbo/China

Tel: +49 62046014399  
 germany@ayvaz.com

#### Ayvaz Ukraine Kiev/Ukraine

Tel: +380 44 390 57 57  
 info@ayvaz.com.ua

#### Tricorr Warsaw/Poland

Tel: +48 530 030 810  
 +48 533 603 335  
 tricorr@tricorr.eu

#### Ayvaz Azerbaijan Baku/Azerbaijan

Tel: +99 (455) 579-84-32  
 ahayatov@ayvaz.com

#### Ayvaz Egypt Cairo/Egypt

Tel: +20 122 819 78 29  
 andrew.eid@ayvaz.com

#### Ayvaz Gulf Dubai/U.A.E

Tel: +971 563550822  
 +971 501306871  
 mideast@ayvaz.com

#### Ayvaz China Ningbo/China

Tel: +86 152 5830 7361  
 msahin@ayvaz.com

#### Ayvaz Kazakhstan LLP Almaty/Kazakhstan

Tel: +7 (727) 327 97 57  
 info\_kz@ayvaz.com

#### Ayvaz N Ispirih/Bulgaria

Tel: +359 8431 27 32  
 office@ayvaz-n.eu

#### Ayvaz Serbia Belgrade/Serbia

Tel: +381 61 658 70 52  
 yakbiyik@ayvaz.com

#### Ayvaz Vietnam HCMC/Vietnam

ggursoy@ayvaz.com  
 Tel: +84 89 8508345

#### Ayvaz Americas Rhode Island/USA

Tel: +1 401 737 8380  
 americas@ayvaz.com