

# Strainer

## With stainless steel double-screen

### Design features

- Strainer serves to protect the pipelines and its installations from dirt
- The fine-meshed double screen made of stainless steel reliably removes all parts bigger than 0,5 mm (DN 40 – 150) or bigger than 0,6 mm Ø from continued flow
- Face-to-face dimension according to EN 558-1 GR 48
- Flanges acc. to EN 1092-2 PN 16, drilled acc. to EN 1092-2 | PN 10 standard; | PN 16 from DN 200 to be mentioned on order. Other standards on request!
- **No. 9911:**  
The new design enables a simpler and quicker maintenance of the filter screen and guarantees a considerably higher flow capacity

### Material | Technical features

- **Body and cover**  
No. 9911: ductile iron, epoxy powder coated  
No. 9910: made of grey cast iron, epoxy powder coated
- **Bolts, nuts**  
Made of stainless steel
- **Double screen**  
Stainless steel,  
Mesh-size DN 40 to 150: ca. 0,5 mm  
DN 200 to 300: ca. 0,6 mm
- **Gasket**  
No. 9911: made of elastomer  
No. 9910: made of Klingerit

### Installation advice

- Strainers are designed to be installed in a horizontal position in pipe lines. Installations in sloping or vertical pipe lines is possible if the flow of the medium is downwards
- Direction of flow has to be according to the arrow indicated on the body whereby the lid has to look to the bottom No. 9910
- Depending on the level of dirt to be removed, the double strainer is to be cleaned periodically

### Strainer

#### With stainless steel double-screen

#### No. 9911



#### No. 9910



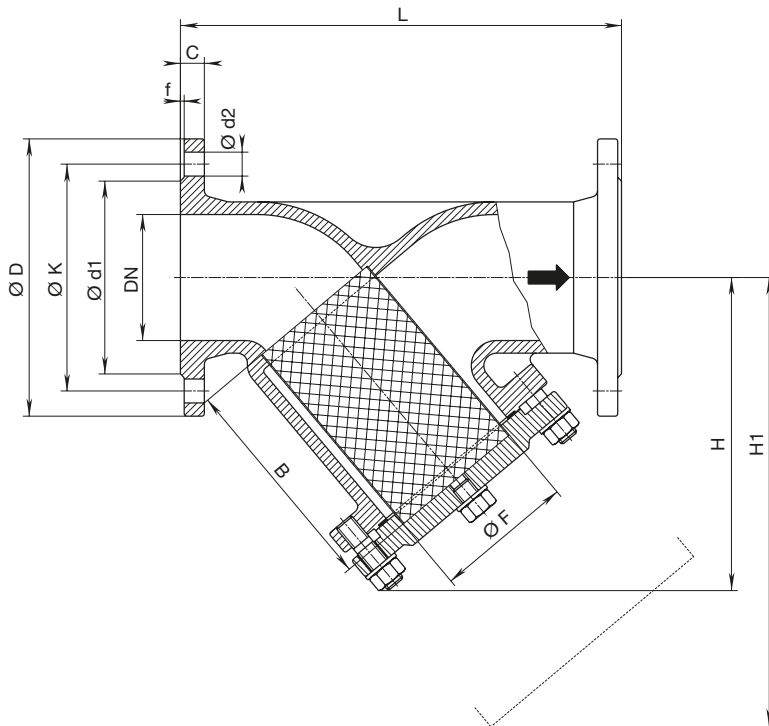
Order No.	Version	MOP (PN)	Dimension/DN													
			40	50	65	80	100	125	150	200	250	300				
9911	With stainless steel double-screen	16														
9910																

# Strainer

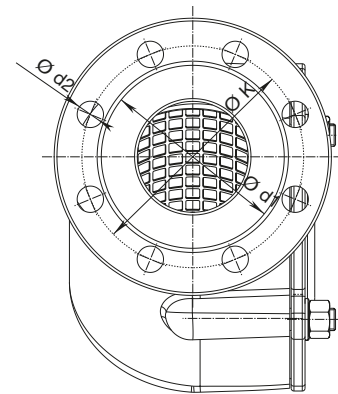
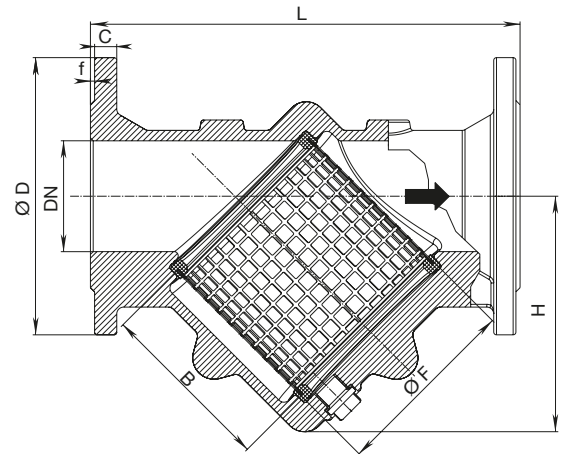
With stainless steel double-screen

## No. 9910 (9911)

With stainless steel double-screen



No. 9910



No. 9911

DN	MOP (PN)	L	H	H1	Ø D	Ø d1	B	Ø F	Ø K	Ø d2	f	C	Bolts	Weight
40	16	200	150	240	150	88	114	50	110	18	3	18	4 x M 16	6,6
50	16	230	120		165	99	102	90	125	19	3	19	4 x M 16	11,0
65	16	290	170		185	122	127	136	145	18	3	20	4 x M 16	17,0
80	16	310	170		200	132	127	136	160	19	3	19	8 x M 16	19,5
100	16	350	205		220	156	174	170	180	19	3	19	8 x M 16	34,0
125	16	400	280	425	250	188	199	138	210	18	3	26	8 x M 16	42,5
150	16	480	298		285	211	250	248	240	23	3	19	8 x M 20	56,0
200	10	600	379		340	266	311	322	295	23	3	20	8 x M 20	110,0
	12 x M 20													
250	10	730	540	915	405	320	434	258	350	22	3	32	12 x M 20	165,0
	355								12 x M 24					
300	10	850	680	1110	460	370	555	308	400	22	4	32	12 x M 20	285,0
	410								12 x M 24					