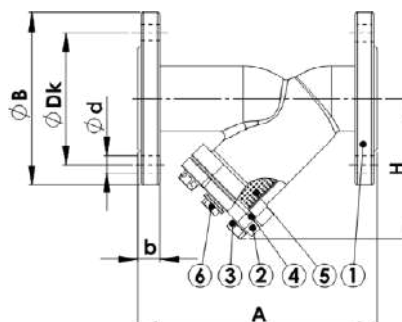
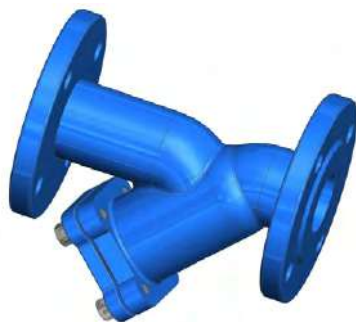


# LOVILEC NESNAGE / DIRT STRAINER

// Delovna temperatura / Working temperature: 0 °C /+120 °C



## Materiali / Materials

1	Ohišje Body	Siva litina – EN-GJL-250 (GG25) Cast Iron – EN-GJL-250 (GG25)	4	Tesnilo Gasket	Grafitno jeklo Graphite steel
2	Pokrov Bonnet	Siva litina – EN-GJL-250 (GG25) Cast Iron – EN-GJL-250 (GG25)	5	Mrežica Wire mesh	Nerjavno jeklo – X5CrNi18-10 (A304) Stainless Steel – X5CrNi18-10 (A304)
3	Vijaki Bolt	Pocinkano jeklo Galvanized steel	6	Izpust Plug	Pocinkano jeklo Galvanized steel

## PN16

Art.	DN	A	ØB	b	ØDk	n-Ød	H	Teža / Weight [kg]
A002256	15	130	95	14	65	4-14	72	2,3
A002255	20	150	105	16	75	4-14	78	3,0
A002254	25	160	115	16	85	4-14	88	3,5
A002253	32	180	140	18	100	4-18	100	5,0
A002252	40	200	150	18	110	4-18	125	6,0
A002251	50	230	165	20	125	4-18	138	8,0
A002250	65	290	185	20	145	4-18	178	12,4
A002249	80	310	200	22	160	8-18	190	17,5
A002248	100	350	220	24	180	8-18	230	18,0
A002247	125	400	250	26	210	8-18	250	29,5
A002246	150	480	285	26	240	8-23	300	38,8
A002245	200	600	340	30	295	12-23	370	68,0
A012214	250	730	405	32	355	12-27	485	125,0
A012215	300	850	460	32	410	12-27	565	176,0

### Opombe

Vgradna dolžina ustreza standardu DIN3202 F1.  
Mrežica: Perforirana pločevina

### Notes

Face to face dimensions conform to DIN3202 F1.  
Wire mesh: Perforated steel sheet