

Storage vessel for potable hot water, for use in systems in which heat can be exchanged by external heat exchangers.




Advantages

- High-quality glass lining according to DIN 4753/part 3 for hygienic hot water production and optimum corrosion protection in combination with a no-maintenance or Mg anode.
- Including adjustable feet for accurate levelling.
- Suitable for connecting external heat exchangers.
- Connections for thermostat - thermometer - circulation.

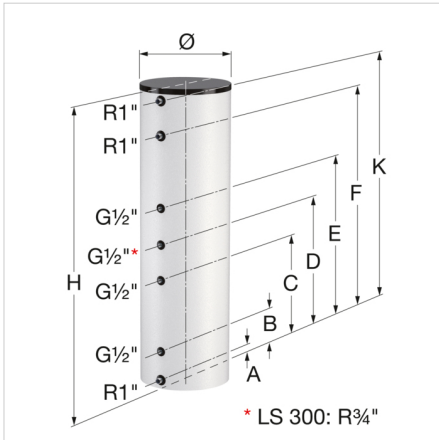
Technical Specifications

- Maximum working pressure: 10 bar.
- Maximum working temperature: 95 °C.
- Insulation:
Standard colours: white (RAL 9010) and white aluminium (RAL 9006).
Including hard foam insulation (direct foam injection) with a polystyrene outer shell.

Type	Capacity [l]	Dimensions *			Insulation colour	Weight [kg]		Order Code
		Ø [mm]	H [mm]	Tilting height [mm]				
FlexTherm LS 200 white	200	560	1360	1500	white	55	1	18623
FlexTherm LS 200 white alu.	200	560	1360	1500	white alu.	55	1	18624
FlexTherm LS 300 white	300	660	1620	1750	white	95	1	18720
FlexTherm LS 300 white alu.	300	660	1620	1750	white alu.	95	1	18721

* Dimensions including insulation.





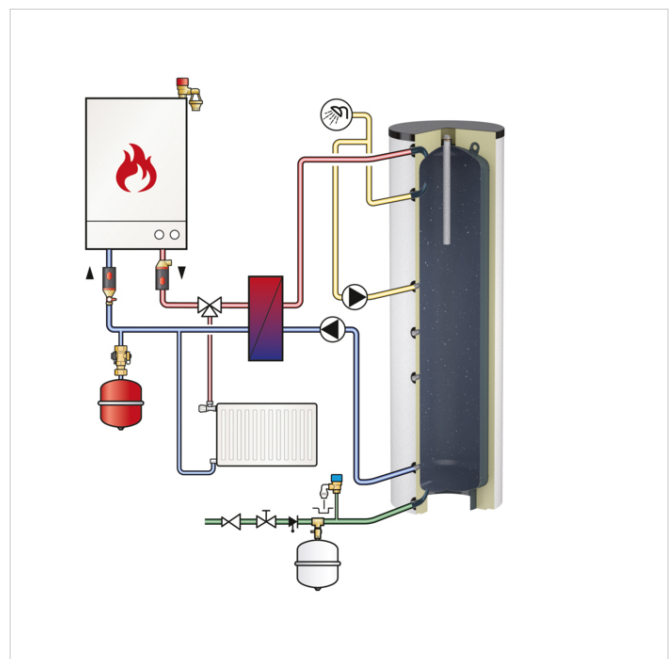
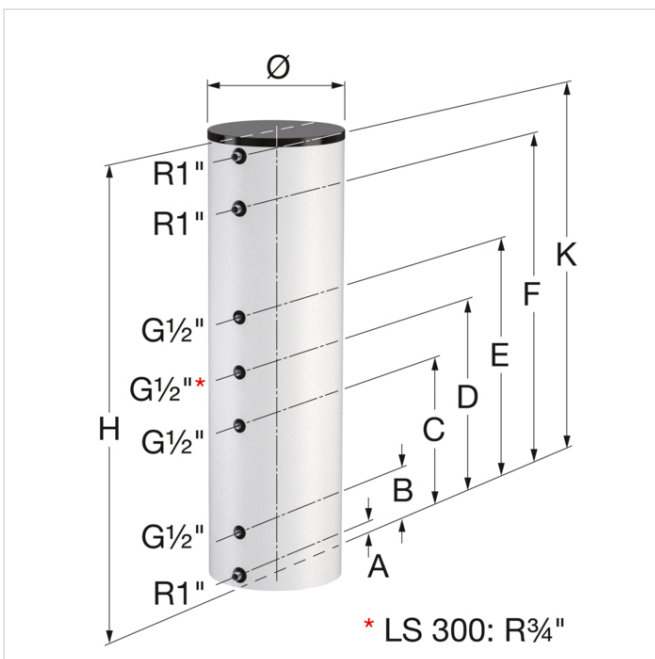
FlexTherm LS 200 - 300 - Connection diagram

Type	Distance from floor to connection centres						
	A [mm]	B [mm]	C [mm]	D [mm]	E [mm]	F [mm]	K [mm]
FlexTherm LS 200	65	245	545	710	885	1075	1285
FlexTherm LS 300	65	310	-	850	950	1340	1560

FlexTherm LS - Performance

Technical specifications	FlexTherm LS							
	200	300	500	750	1000	1500	2000	3000
Total heat loss (EN 12897) [W]	83	108	133	119	147	161	183	n/a
Energy label	C	D	D	C	C	C	C	n/a

n/a = not applicable.



Find more information online:

[Installation and operating instruction](#)

[PZH certificate](#)

[LS ADSK](#)

[LS DWG](#)

[LS IPT](#)

[LS STEP](#)

[Selection Guide](#)

[ErP label LS 200](#)

[ErP label LS 300](#)

[Packaging data](#)

Fort Blauwkapel 1
1358 DB, Almere - nl

T +31 (0)36 52 62 300
E info@aalberts-hfc.com
I flamcogroup.com

Storage vessel for potable hot water, for use in systems in which heat can be exchanged by external heat exchangers.





Advantages

- High-quality glass lining according to DIN 4753/part 3 for hygienic hot water production and optimum corrosion protection in combination with a no-maintenance or Mg anode (standard from 1,500 litres).
- Including adjustable feet for accurate levelling.
- Suitable for connecting external heat exchangers.
- Connections for thermostat - thermometer - circulation.
- Cleaning & inspection flange DN 110 at the side (LS 1500 - 3000 also at the top side).

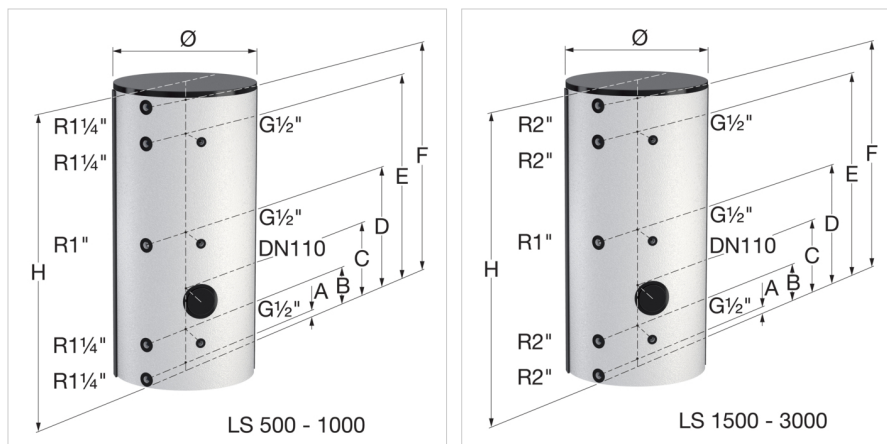
Technical Specifications

- Maximum working pressure: 10 bar.
- Maximum working temperature: 95 °C.
- Insulation:
Standard colours: white (RAL 9010) and white aluminium (RAL 9006).
Including EPS insulating mantle (fire category B1) with a polypropylene outer shell (fire category B2).

Type	Capacity [l]	Dimensions *			Insulation colour	Weight [kg]		Order Code
		Ø [mm]	H [mm]	Tilting height [mm]				
LS 500 white	500	650	1640	1800	white	125	1	18630
LS 500 white alu.	500	650	1640	1800	white alu.	125	1	18635
LS 750 white	750	750	1970	2070	white	190	1	18637
LS 750 white alu.	750	750	1970	2070	white alu.	190	1	18638
LS 1000 white	1000	800	2230	2320	white	232	1	18640
LS 1000 white alu.	1000	800	2230	2320	white alu.	232	1	18641
LS 1500 white	1500	1000	2320	2480	white	397	1	18643
LS 1500 white alu.	1500	1000	2320	2480	white alu.	397	1	18644
LS 2000 white	2000	1100	2440	2600	white	474	1	18646

Type	Capacity [l]	Dimensions *			Insulation colour	Weight [kg]		Order Code
		Ø [mm]	H [mm]	Tilting height [mm]				
LS 2000 white alu.	2000	1100	2440	2600	white alu.	474	1	18647
LS 3000 white	3000	1200	2830	3000	white	730	1	18654

* Dimensions excluding insulation.



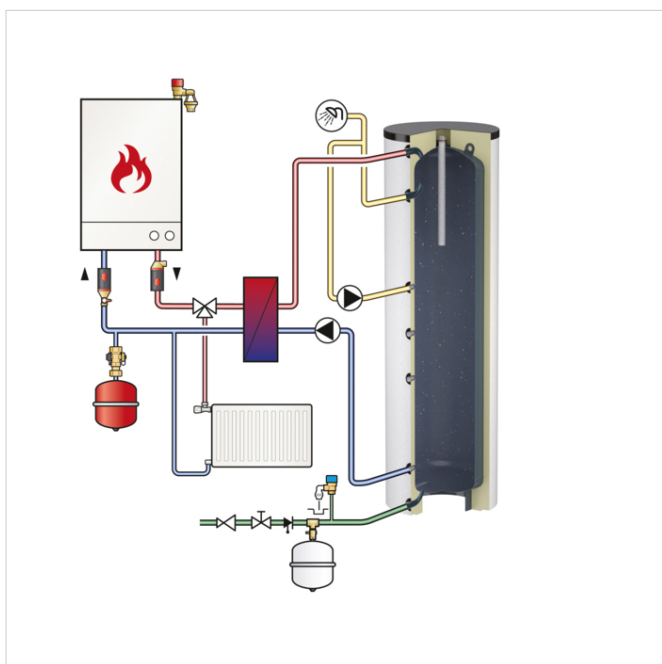
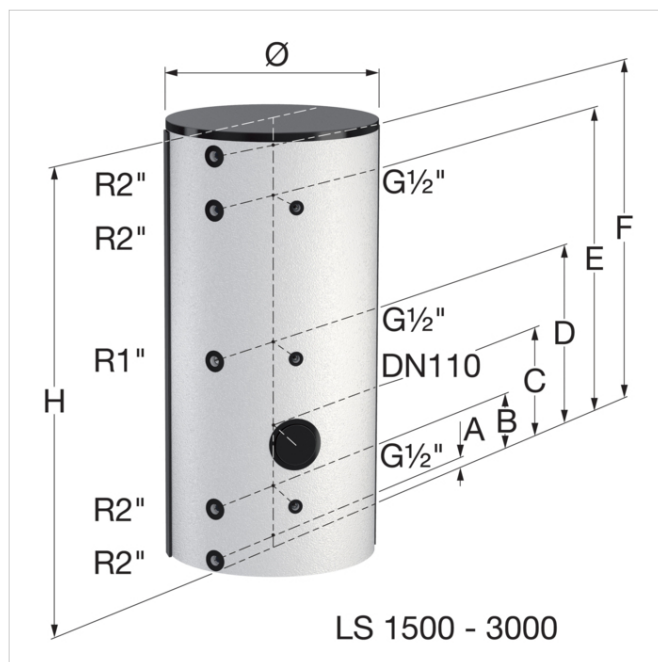
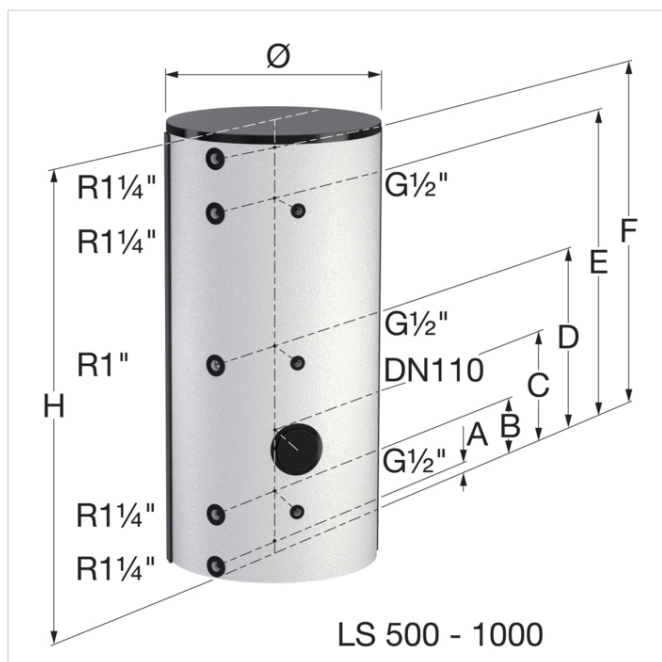
FlexTherm LS 500 - 3000 - Connection diagram

Type	Distance from floor to connection centres					
	A [mm]	B [mm]	C [mm]	D [mm]	E [mm]	F [mm]
FlexTherm LS 500	60	285	485	830	1375	1600
FlexTherm LS 750	60	300	637	970	1420	1900
FlexTherm LS 1000	70	310	645	1100	1670	2160
FlexTherm LS 1500	85	385	585	1160	1935	2235
FlexTherm LS 2000	105	405	605	1180	1955	2235
FlexTherm LS 3000	95	420	620	1420	2405	2730

FlexTherm LS - Performance

Technical specifications	FlexTherm LS							
	200	300	500	750	1000	1500	2000	3000
Total heat loss (EN 12897) [W]	83	108	133	119	147	161	183	n/a
Energy label	C	D	D	C	C	C	C	n/a

n/a = not applicable.



Find more information online:

[Installation and operating instruction](#)

[PZH certificate](#)

[LS ADSK](#)

[LS DWG](#)

[LS IPT](#)

[LS STEP](#)

[Selection Guide](#)

[ErP label LS 500](#)

[Packaging data](#)

Fort Blauwkapel 1
1358 DB, Almere - nl

T +31 (0)36 52 62 300
E info@aalberts-hfc.com
I flamcogroup.com