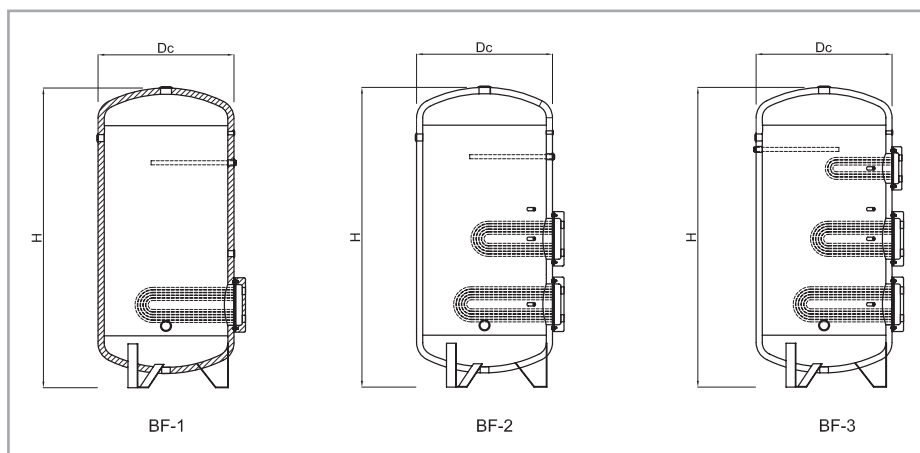


BF

- : +95°C
- : +110°C
- P_{MAX}** : 6 bar
- P_{SCA}** : 12 bar

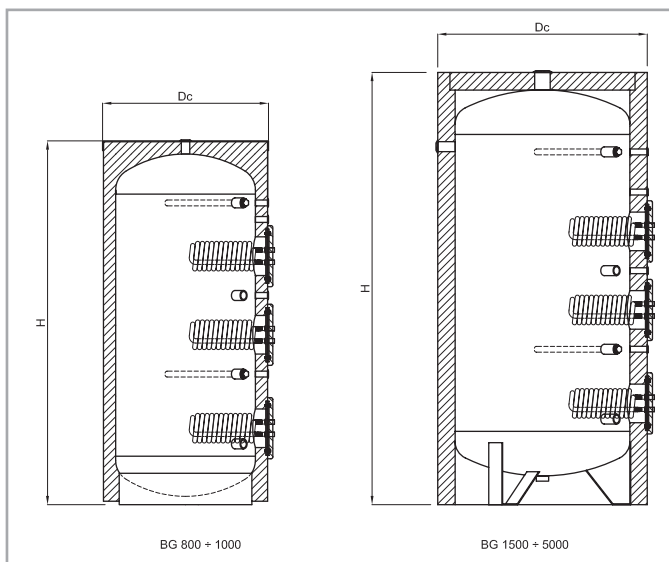
Mod	Cod		Serp. 1		Serp. 2		Serp. 3				
			m ²	lt.	m ²	lt.	m ²	lt.			
BF-1 1500	A340H67 S9016	1500	3	15	-	-	-	-	1100	2445	1.1/4" x 670
BF-1 2000	A340H70 S9016	2000	4	18	-	-	-	-	1200	2415	1.1/4" x 670
BF-1 3000	A340H74 S9016	3000	6	24	-	-	-	-	1350	2770	1.1/4" x 700
BF-1 5000	A340H80 S9016	5000	10	39	-	-	-	-	1700	2920	1.1/2" x 640
BF-2 1500	A370H67 S9016	1500	4	18	3	15	-	-	1100	2445	1.1/4" x 670
BF-2 2000	A370H70 S9016	2000	4	18	4	18	-	-	1200	2415	1.1/4" x 670
BF-2 3000	A370H74 S9016	3000	6	24	6	24	-	-	1350	2770	1.1/4" x 700
BF-2 5000	A370H80 S9016	5000	10	39	10	39	-	-	1700	2920	1.1/2" x 640
BF-3 1500	A380H67 S9016	1500	4	18	3	15	1,6	7,5	1100	2445	1.1/4" x 670
BF-3 2000	A380H70 S9016	2000	4	18	4	18	2,5	12,5	1200	2415	1.1/4" x 670
BF-3 3000	A380H74 S9016	3000	6	24	6	24	3	15	1350	2770	1.1/4" x 700
BF-3 5000	A380H80 S9016	5000	10	39	10	39	5	21	1700	2920	1.1/2" x 640



BG

- : +95°C
- : +110°C
- P_{MAX}** : 10 bar
- P_{SCA}** : 12 bar

Mod	Cod				
BG 800	A3F0L60 P9016	800	940	1830	1.1/2" x 550
BG 1000	A3F0L62 P9016	1000	940	2080	1.1/2" x 550
BG 1500	A3F0H67 P9016	1500	1140	2465	1.1/2" x 550
BG 2000	A3F0H70 P9016	2000	1240	2435	1.1/2" x 550
BG 3000	A3F0H74 S9016	3000	1390	2770	1.1/2" x 550
BG 5000	A3F0H80 S9016	5000	1740	2920	1.1/2" x 550



Hot water cylinders

Preparatori di acqua calda