

# Balancing valves, stainless steel, reduced bore

243 series, flange / flange, DN 65-150, reduced bore

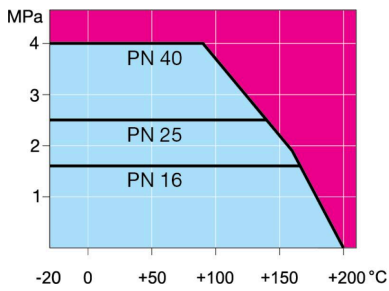
Body	DN 65-150 Stainless steel, X2CrNiMo17-12-2 (1.4404)
Ball	DN 65-150 Stainless steel, X2CrNiMo17-12-2 (1.4404)
Ball seal	DN 65-150 PTFE+GF
Stem	DN 65-150 Stainless steel, X2CrNiMo17-12-2 (1.4404)
Stem seal	DN 65-150 FPM/NBR
Measuring block	DN 65-150 Type Oras, stainless steel, X2CrNiMo17-12-2 (1.4404)
Operation	DN 65-150 With zinc-plated steel handle
Flanges	EN 1092-1 Available PN 10, 16, 25, 40



## Operation conditions

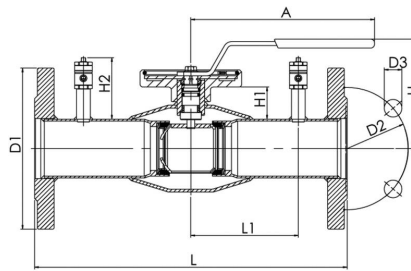
-20 °C – +200 °C  
Below -20 °C contact manufacturer  
Lowest allowed ambient temperature -40 °C

Leakage rate A (EN 12266-1)



Not for steam

DN 65-150



DN	PN	Product no.	A	D1	D2	D3	H	H1	H2	L	L1	kg
65	16	243065	280	185.0	145.0	18.0	160	58	82	310	110	10.1
80	16	243080	280	200.0	160.0	18.0	173	64	82	310	110	12.0
100	16	243100	280	220.0	180.0	18.0	173	52	82	350	122.5	15.9
125	16	243125	400	250.0	210.0	18.0	221	68	82	355	137.5	25.6
150	16	243150	600	285.0	240.0	22.0	240	74	82	370	150	30.0

Vexve's balancing valves can be found e.g. from libraries of TA-SCOPE and SmartBalancing measuring devices.

# Balancing valves, stainless steel, reduced bore

243 series, flange / flange, DN 200-250, reduced bore

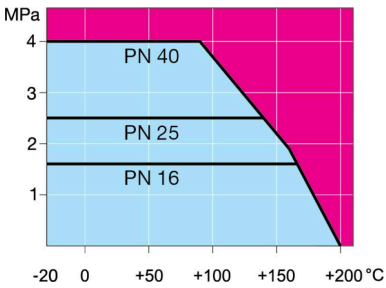
Body	DN 200-250 Stainless steel, X2CrNiMo17-12-2 (1.4404)
Ball	DN 200-250 Stainless steel, X2CrNiMo17-12-2 (1.4404)
Ball seal	DN 200-250 PTFE+GF
Stem	DN 200-250 Stainless steel, X2CrNiMo17-12-2 (1.4404)
Stem seal	DN 200-250 FPM/NBR
Measuring block	DN 200-250 Type Oras, stainless steel, X2CrNiMo17-12-2 (1.4404)
Operation	DN 200-250 Valve is equipped with manual gear
Flanges	EN 1092-1 Available PN 10, 16, 25, 40



## Operation conditions

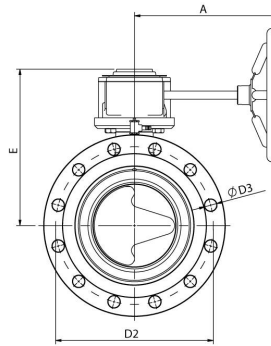
-20 °C – +200 °C  
Below -20 °C contact manufacturer  
Lowest allowed ambient temperature -40 °C

Leakage rate A (EN 12266-1)

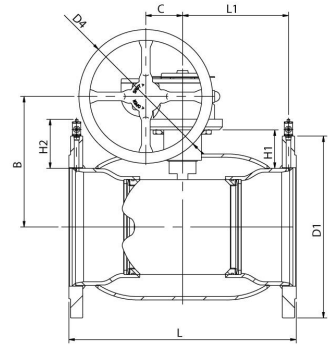


Not for steam

DN 200-300



DN 200-300



DN	PN	Product no.	A	B	C	D1	D2	D3	D4	E	H	H1	H2	L	L1	kg
200	16	243200	268	244	69	340.0	295.0	22.0	250.0	293	72	92	425	198	56.7	
250	16	243250	301	294	97	405.0	355.0	26.0	300.0	345	88	97	550	259	103.9	

Vexve's balancing valves can be found e.g. from libraries of TA-SCOPE and SmartBalancing measuring devices.