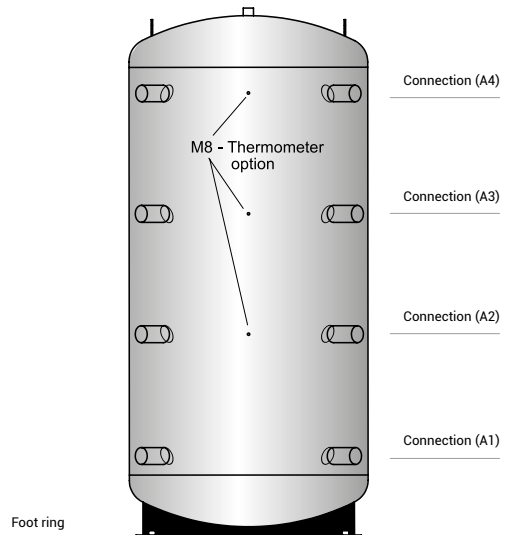


Buffer storage tank PSX-ECO

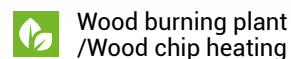
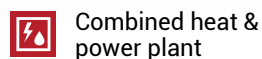
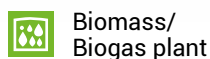
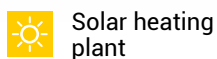


Price / Order number

Storage type PSX-ECO		200	300	400	500	800	850	1000	1000	1500	2000	3000
Price								Ø=790	Ø=850			
PSX-ECO without insulation	[€/item]	-	-	-	-	785,-	809,-	855,-	872,-	1166,-	1552,-	4316,-
PSX-ECO with fleece insulation	[€/item]	849,-	972,-	1103,-	1136,-	-	-	-	-	-	-	-
Fleece insulation	[€/item]	-	-	-	-	621,-	664,-	678,-	780,-	1088,-	1215,-	1340,-
Order number												
PSX-ECO without insulation		-	-	-	-	15433	17569	13305	23932	13484	14417	17317
PSX-ECO with fleece insulation RAL 9006		48690	48722	48727	48735	-	-	-	-	-	-	-
Fleece insulation RAL 9006		-	-	-	-	44955	44956	44957	44958	44960	44966	44973
In stock		✗	✗	✗	✓	✓	✓	✓	✓	✓	✓	✓

Product description

- » **Material:** S235JR+N steel, internal uncoated, external primer coat
- » **Compressive strenght:** 3 bar
- » **Technical features:** Sensor clamping strip
- » **optionally for extra charge:** Flange 280 x 200 x LK 245 for inspection or for the installation of a finned tube heat exchanger
- » **Insulation:** removable 100 mm **polyline** fleece insulation including base and lid insulation
- » **Accessories:** are on the pages from 84.



Special solutions such as the combination of various heat sources also allow for other applications.

Technical data

Storage type PSX-ECO		200	300	400	500	800	850	1000	1000	1500	2000	3000
								Ø=790	Ø=850			
Content	[Litres]	200	300	400	500	800	850	1000	1000	1500	2000	3000
Energy efficiency class		C	C	C	C	C	C	C	C	C	C	-
Heat retaining loss (with insulation)	[Watt]	83	92	102	112	134	138	145	145	168	186	-
Diameter without insulation	[mm]	550	550	600	650	790	790	790	850	1000	1100	1150
Diameter with insulation	[mm]	750	750	800	850	990	990	990	1050	1200	1300	1350
Insulation	[mm]	100	100	100	100	100	100	100	100	100	100	100
Height with insulation	[mm]	1070	1550	1610	1720	1802	1970	2202	2000	2130	2380	3160
Tilted height	[mm]	1050	1530	1570	1710	1780	1990	2180	2000	2150	2420	3170
max. T/ max. P - HZG	[°C/bar]	95/ 3	95/ 3	95/ 3	95/ 3	95/ 3	95/ 3	95/ 3	95/ 3	95/ 3	95/ 3	95/ 3
Loading/unloading connections (A1 - A4)	[Inch]	for all storage tanks: Rp 1½										
Sensor/controller connections		Sensor clamping strip										
Thermometer connections		for all storage tanks: M8 thermometer option										
Ventilation IG	[Inch]	for all storage tanks: Rp 1¼										
Dimensions												
A1	[mm]	215	215	225	245	246	263	246	280	320	335	375
A2	[mm]	405	560	585	645	646	718	786	735	786	875	1165
A3	[mm]	595	905	945	1045	1046	1173	1326	1195	1253	1415	1955
A4	[mm]	785	1245	1315	1405	1446	1633	1866	1650	1720	1975	2745
Weight*	[kg]	46	63	71	83	110	118	132	132	189	258	349

Insulating caps

Consisting of rosette, socket cap, fleeceronde.
For isolating unused 100 mm connections (Rp 1 ½ ").



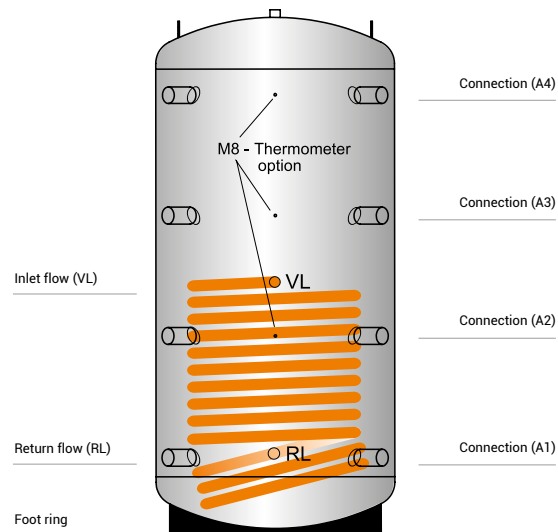
Order no: 58031

Price [€/item]: 13,-

* Weight (kg) = installation weight.

Planning and setting up the heating system on the basis of the technical guidelines to avoid oxygen-induced corrosion in keeping with VDI and DIN specifications.

Buffer storage tank PSX-G-ECO



Price / Order number

Storage type PSX-G-ECO		500	800	850	1000	1500	2000
Price							
PSX-G-ECO without insulation	[€/item]	-	1083,-	1115,-	1185,-	1607,-	1957,-
PSX-G-ECO with insulation	[€/item]	1424,-	-	-	-	-	-
Fleece insulation	[€/item]	-	621,-	664,-	678,-	1088,-	1215,-
Order number							
PSX-G-ECO without insulation		-	16435	17713	16440	16445	18334
PSX-G-ECO with fleece insulation RAL 9006 (only 500 l)		50560	-	-	-	-	-
Fleece insulation RAL 9006		-	44988	44990	44991	44993	44994
In stock		☑	☑	☑	☑	☑	☑

Product description

- » **Material:** S235JR+N steel, internal uncoated, external primer coat
- » **Compressive strenght:** 3 bar
- » **Technical features:** large bare-tube heat exchanger, Sensor clamping strip
- » **Insulation:** removable 100 mm **polyline** fleece insulation including base and lid insulation
- » **Accessories:** are on the pages from 84.



Solar heating plant



Biomass/
Biogas plant



Combined heat &
power plant



Wood burning plant
/Wood chip heating



Pellet
heating

Special solutions such as the combination of various heat sources also allow for other applications.

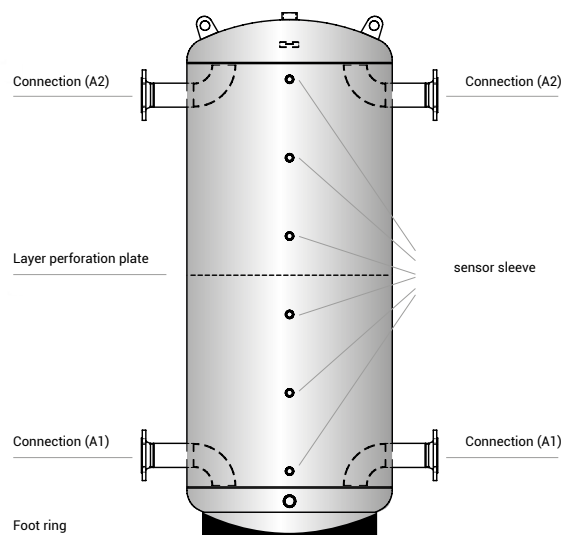
Technical data

Storage type PSX-G-ECO		500	800	850	1000	1500	2000
Content	[Litres]	500	800	850	1000	1500	2000
Energy efficiency class		C	C	C	C	C	C
Heat retaining loss (with insulation)	[Watt]	112	134	138	145	168	186
Diameter without insulation	[mm]	650	790	790	790	1000	1100
Diameter with insulation	[mm]	850	990	990	990	1200	1300
Insulation	[mm]	100	100	100	100	100	100
Height with insulation	[mm]	1720	1802	1970	2202	2130	2410
Tilted height	[mm]	1710	1780	1990	2180	2150	2450
Heating surface	[m ²]	2,5	2,5	2,5	3,2	4,25	4,25
Water content WT	[Litres]	15,7	15,7	15,7	20,1	26,7	26,7
max. T/ max. P - Storage tank	[°C/bar]	95 / 3	95 / 3	95 / 3	95 / 3	95 / 3	95 / 3
max. T/ max. P - GWT-HZG	[°C/bar]	110 / 25	110 / 25	110 / 25	110 / 25	110 / 25	110 / 25
Heat exchanger (VL/RL)	[Inch]	AG 1	AG 1	AG 1	AG 1	AG 1	AG 1
Loading/unloading connections (A1 - A4)	[Inch]	Rp 1½	Rp 1½	Rp 1½	Rp 1½	Rp 1½	Rp 1½
Electric heating		for all storage tanks: no					
Sensor/controller connections		Sensor clamping strip					
Thermometer connections		for all storage tanks: M8 thermometer option					
Ventilation	[Inch]	Rp 1¼	Rp 1¼	Rp 1¼	Rp 1¼	Rp 1¼	Rp 1¼
Dimensions							
A1, RL	[mm]	245	246	263	246	320	365
A2	[mm]	645	646	718	786	786	905
VL	[mm]	870	816	833	946	1020	1065
A3	[mm]	1045	1046	1173	1326	1253	1445
A4	[mm]	1405	1446	1633	1866	1720	1985
Weight*	[kg]	116	148	156	181	262	323

* Weight (kg) = installation weight

Planning and setting up the heating system on the basis of the technical guidelines to avoid oxygen-induced corrosion in keeping with VDI and DIN specifications.

Buffer storage tank PS-BHKW



Price / Order number

Storage type	PS-BHKW	500	750	1000	1500	2000
Price						
PS-BHKW without insulation	[€/item]	-	1248,-	1440,-	1926,-	2283,-
PS-BHKW with fleece insulation	[€/item]	1719,-	-	-	-	-
Fleece insulation	[€/item]	-	627,-	712,-	908,-	1063,-
Order number						
PS-BHKW without insulation		-	49608	49616	49627	49631
PS-BHKW with fleece insulation RAL 9006		49596	-	-	-	-
Fleece insulation RAL 9006		-	49607	49615	49624	49628
In stock		☑	☑	☑	☑	☑

Product description

- » **Material:** S235JR+N steel, internal uncoated, external primer coat
- » **Compressive strenght:** 6 bar
- » **Technical features:** 4x Flange nozzle DN65 PN6 incl. tube bend, layer perforation plate, ventilation sleeve 1 1/4", draining sleeve 1", 6x sleeves for thermometer, sensor clamping strip
- » **Insulation:** removable 100 mm **polyline** fleece insulation including base and lid insulation
- » **Accessories:** are on the pages from 84



Biomass/
Biogas plant



Combined heat &
power plant



Wood burning plant
/Wood chip heating



Pellet
heating

Special solutions such as the combination of various heat sources also allow for other applications.

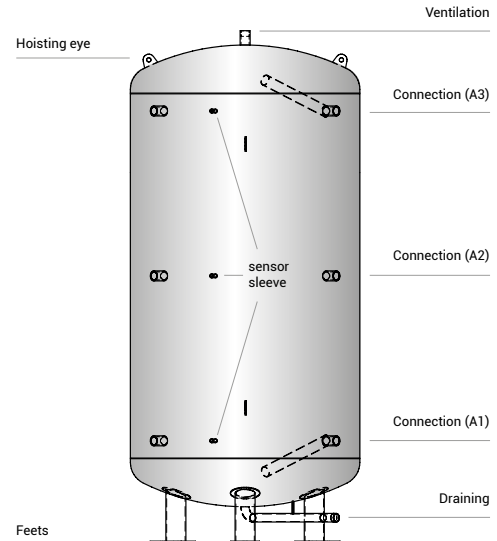
Technical data

Storage type PS BHKW		500	750	1000	1500	2000
Content	[Litres]	500	750	1000	1500	2000
Energy efficiency class		C	C	C	C	C
Heat retaining loss (with insulation)	[Watt]	112	134	145	168	186
Diameter without insulation	[mm]	650	790	850	1000	1100
Diameter with insulation	[mm]	850	990	1050	1200	1300
Insulation	[mm]	100	100	100	100	100
Height with insulation	[mm]	1749	1793	2044	2207	2374
Tilted height	[mm]	1715	1775	2010	2205	2480
max. T/ max. P - HZG	[°C/bar]	95 / 6	95 / 6	95 / 6	95 / 6	95 / 6
Sensor/controller connections	[Inch]	Rp ½	Rp ½	Rp ½	Rp ½	Rp ½
Thermometer connections	[Inch]	Rp ½	Rp ½	Rp ½	Rp ½	Rp ½
Dimensions						
A1	[mm]	270	300	313	335	352
A2	[mm]	1410	1420	1663	1785	1952
Weight*	[kg]	117	163	179	285	356

* Weight (kg) = installation weight

Planning and setting up the heating system on the basis of the technical guidelines to avoid oxygen-induced corrosion in keeping with VDI and DIN specifications.

Gross-Buffer storage tank GPS



Price / Order number

Storage type	GPS	2000	3000	3000	4000	5000	6000	7000	8000	9000	10000
Price			Ø=1250	Ø=1600							
GPS without insulation	[€/item]	1943,-	2064,-	2798,-	3217,-	3617,-	4140,-	4396,-	4653,-	4909,-	5404,-
Fleece insulation	[€/item]	1063,-	1434,-	1519,-	1797,-	2146,-	2318,-	2500,-	2742,-	2980,-	3262,-
Order number											
GPS without insulation		50958	50949	50945	50941	50937	50933	50928	50923	50918	50844
Fleece insulation RAL 9006		50991	50992	50993	50994	50995	50996	50997	50998	50999	51000
In stock		✓	✓	✓	✓	✓	✗	✗	✗	✗	✗

Product description

- » **Material:** S235JR+N steel, internal uncoated, external primer coat
- » **Compressive strenght:** 3 bar
- » **Technical features:** Storage tank with feets, 6x 2" Connection sleeves (two with tube bend), 3x 1/2" sensor sleeves, ventilation sleeve 2", Draining sleeve 2"
- » **Insulation:** removable 100 mm **polyline** fleece insulation including base and lid insulation
- » **Accessories:** are on the pages from 84



Biomass/
Biogas plant



Combined heat &
power plant




Wood burning plant
/Wood chip heating



Direct heating
system

Special solutions such as the combination of various heat sources also allow for other applications.

Technical data

Storage type GPS		2000	3000	3000	4000	5000	6000	7000	8000	9000	10000
			Ø=1250	Ø=1600							
Content	[Litres]	2000	3000	3000	4000	5000	6000	7000	8000	9000	10000
Energy efficiency class			-	-	-	-	-	-	-	-	-
Heat retaining loss (with insulation)	[Watt]	186	-	-	-	-	-	-	-	-	-
Diameter with insulation	[mm]	1250	1250	1600	1600	1600	1600	1600	1600	1600	1600
Diameter with insulation	[mm]	1450	1450	1800	1800	1800	1800	1800	1800	1800	1800
Insulation	[mm]	100	100	100	100	100	100	100	100	100	100
Height with insulation	[mm]	2125	2865	2080	2580	3020	3570	4070	4570	5010	5520
Tilted height	[mm]	2275	3015	2250	2750	3150	3650	4150	4650	5150	5650
max. T/ max. P - HZG	[°C/bar]	95/ 3	95/ 3	95/ 3	95/ 3	95/ 3	95/ 3	95/ 3	95/ 3	95/ 3	95/ 3
Loading/unloading connections (A1 - A3)	[Inch]	Rp 2	Rp 2	Rp 2	Rp 2	Rp 2	Rp 2	Rp 2	Rp 2	Rp 2	Rp 2
Sensor/controller connections	[Inch]	Rp ½	Rp ½	Rp ½	Rp ½	Rp ½	Rp ½	Rp ½	Rp ½	Rp ½	Rp ½
Ventilation IG	[Inch]	Rp 2	Rp 2	Rp 2	Rp 2	Rp 2	Rp 2	Rp 2	Rp 2	Rp 2	Rp 2
Draining	[Inch]	G 2	G 2	G 2	G 2	G 2	G 2	G 2	G 2	G 2	G 2
Dimensions											
A1	[mm]	632	632	710	710	710	710	710	710	710	710
A2	[mm]	1137	1507	1115	1365	1585	1860	2110	2360	2505	2835
A3	[mm]	1642	2382	1520	2020	2460	3010	3510	4010	4450	4960
Draining	[mm]	174	174	173	173	173	173	173	173	173	173
Weight*	[kg]	271	339	407	465	516	581	640	697	751	810

* Weight (kg) = installation weight

Planning and setting up the heating system on the basis of the technical guidelines to avoid oxygen-induced corrosion in keeping with VDI and DIN specifications.

Enquiry for custom-made storage tanks

Copy, complete and fax the form.

Information about the customer

Company: _____
 Adress: _____

 Contact person: _____
 Telephon: _____
 E-mail: _____
 Project: _____

Storage information

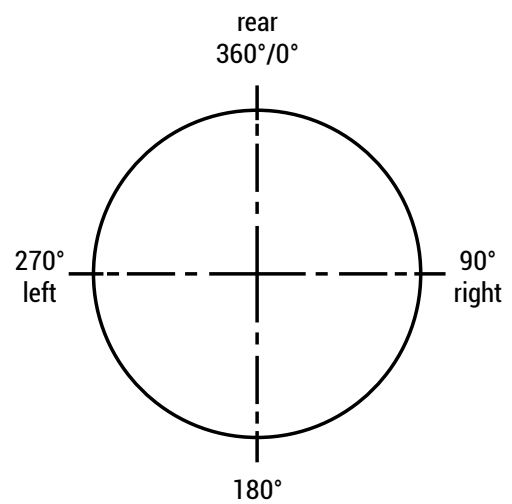
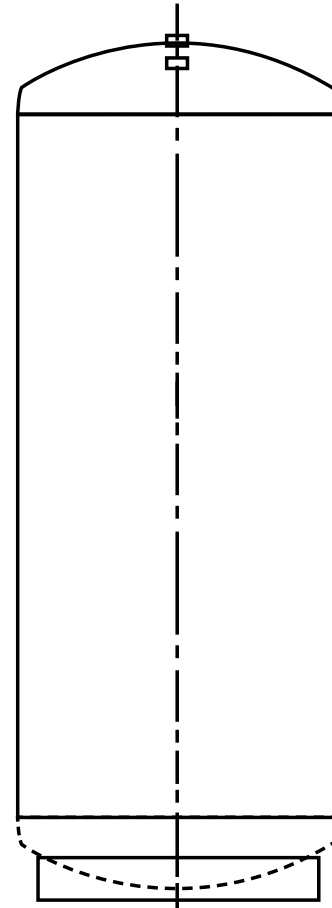
Buffer storage tank	<input type="checkbox"/>	Cold water storage tank	<input type="checkbox"/>
Drinking water storage tank	<input type="checkbox"/>	Others	<input type="checkbox"/>
Content	Litres	Compressive strenght	bar
Connections	Item	Operating temperature	°C
Diameter Ø	mm	max. Height	mm
Various feet design:	Foot ring <input type="checkbox"/>		or Feets <input type="checkbox"/>

Description	Amount
-------------	--------

Insulation: _____
 Date: _____ Signature: _____

Drawing of Connections

Please draw the positions of the connecting pieces schematically.



Send the completed enquiry form by fax (0049 - 33920 - 672 77) or by e-mail (anfragen@huch.com) to our quotation processing department and you will promptly receive an offer for your desired storage unit.

The General Terms and Conditions for Sale and Delivery of Huch GmbH Behälterbau und Werwaltungsgesellschaft as well as the agreements acknowledged with order acceptance shall apply to all transactions. Subject to any kind of changes and errors. In order to maintain warranty, only original parts may be used as replacement parts such as seals etc.